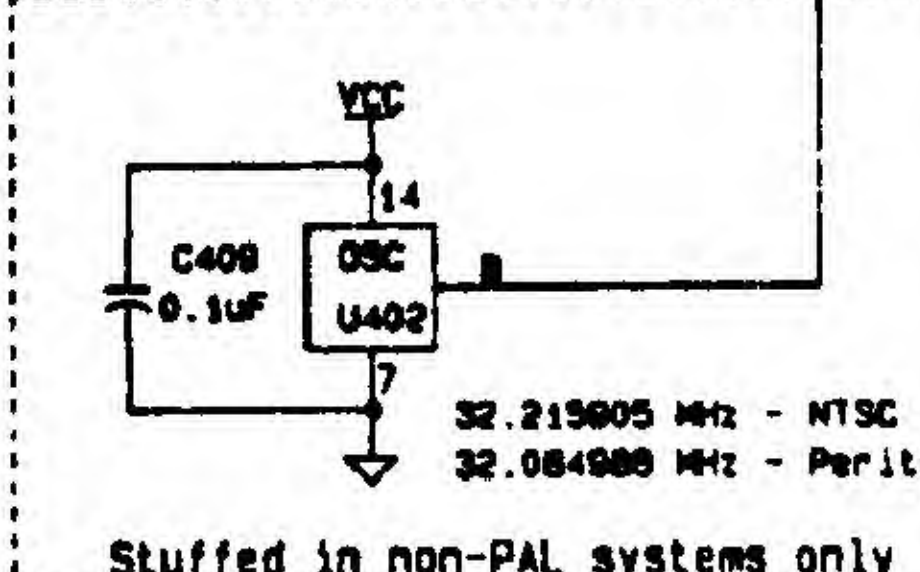
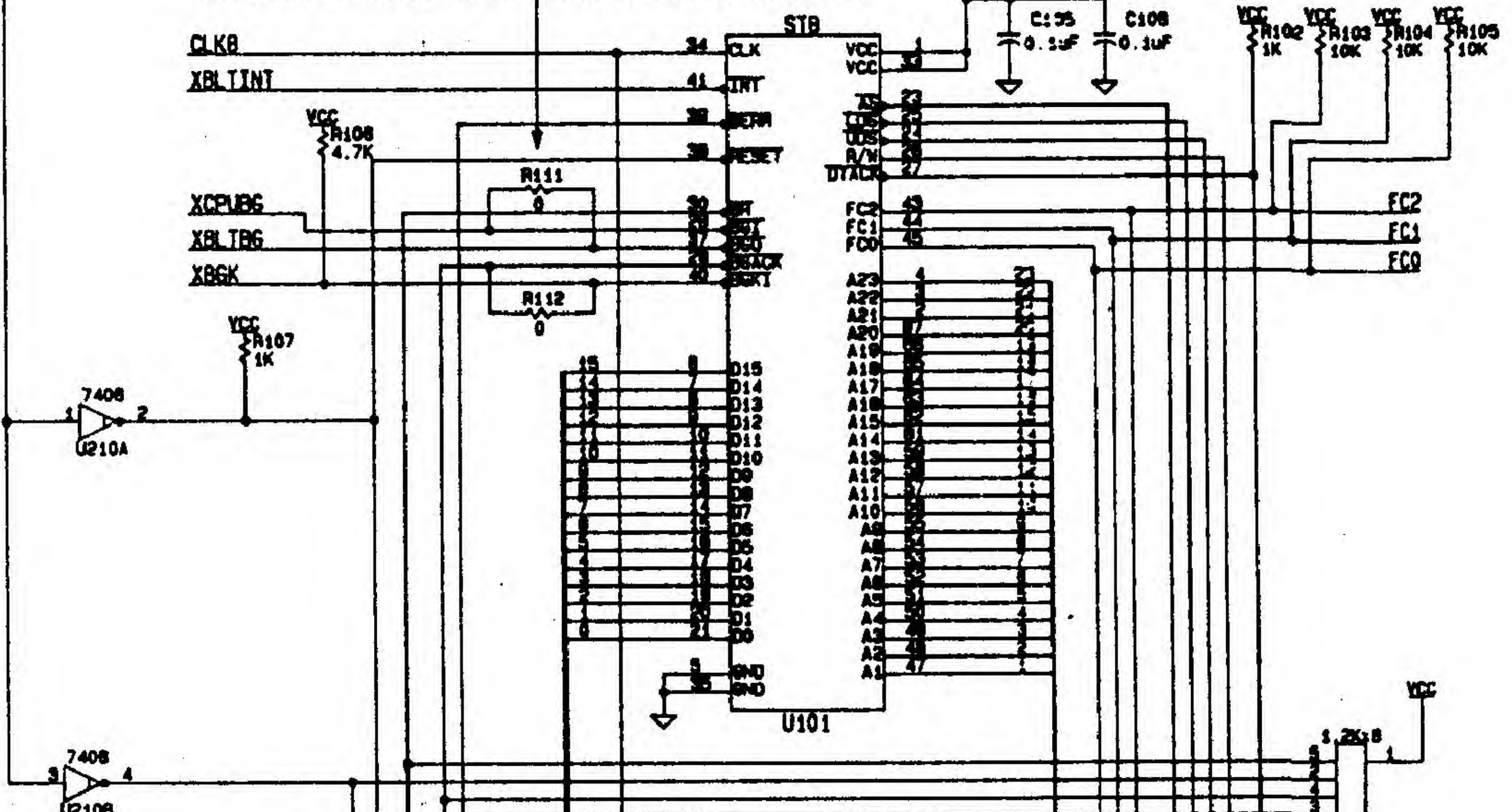


Stuffed in PAL systems only



Stuffed in non-PAL systems only

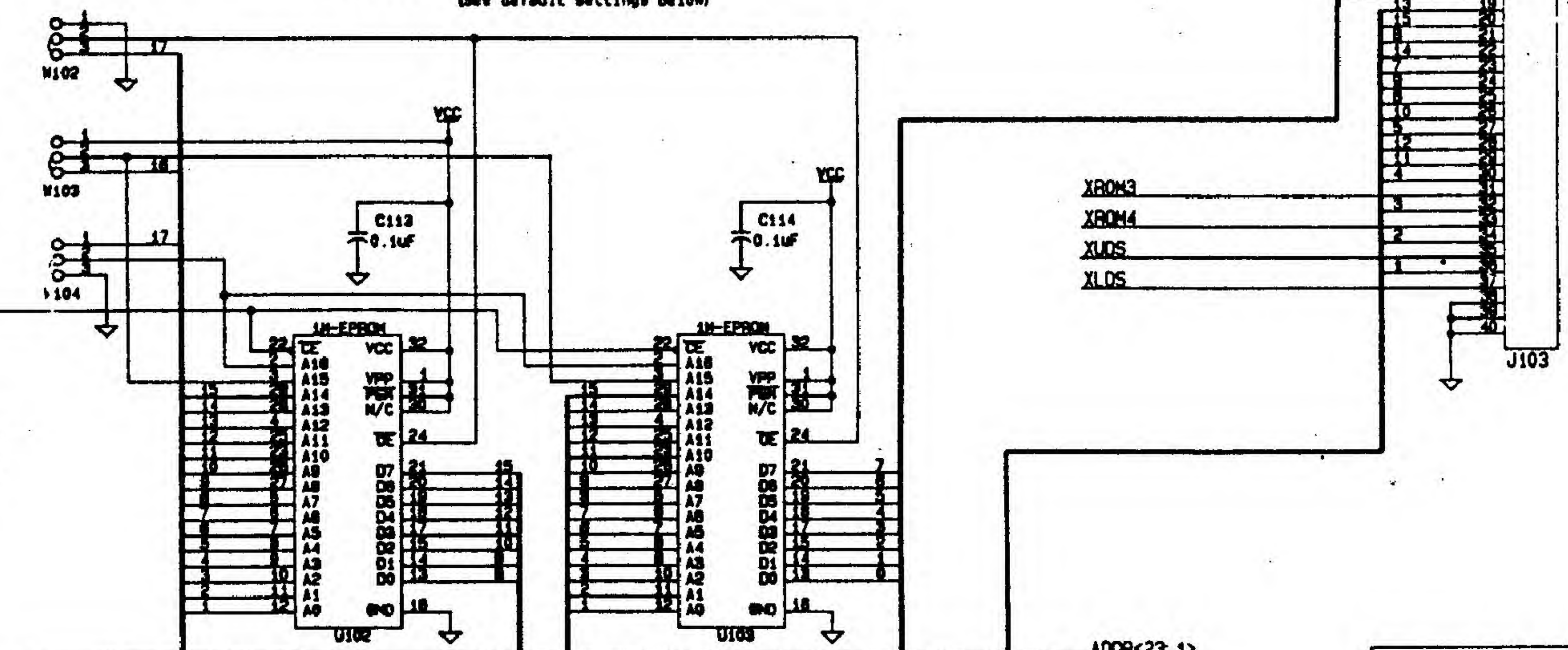
R111 and R112 Installed ONLY when U101 is NOT installed.



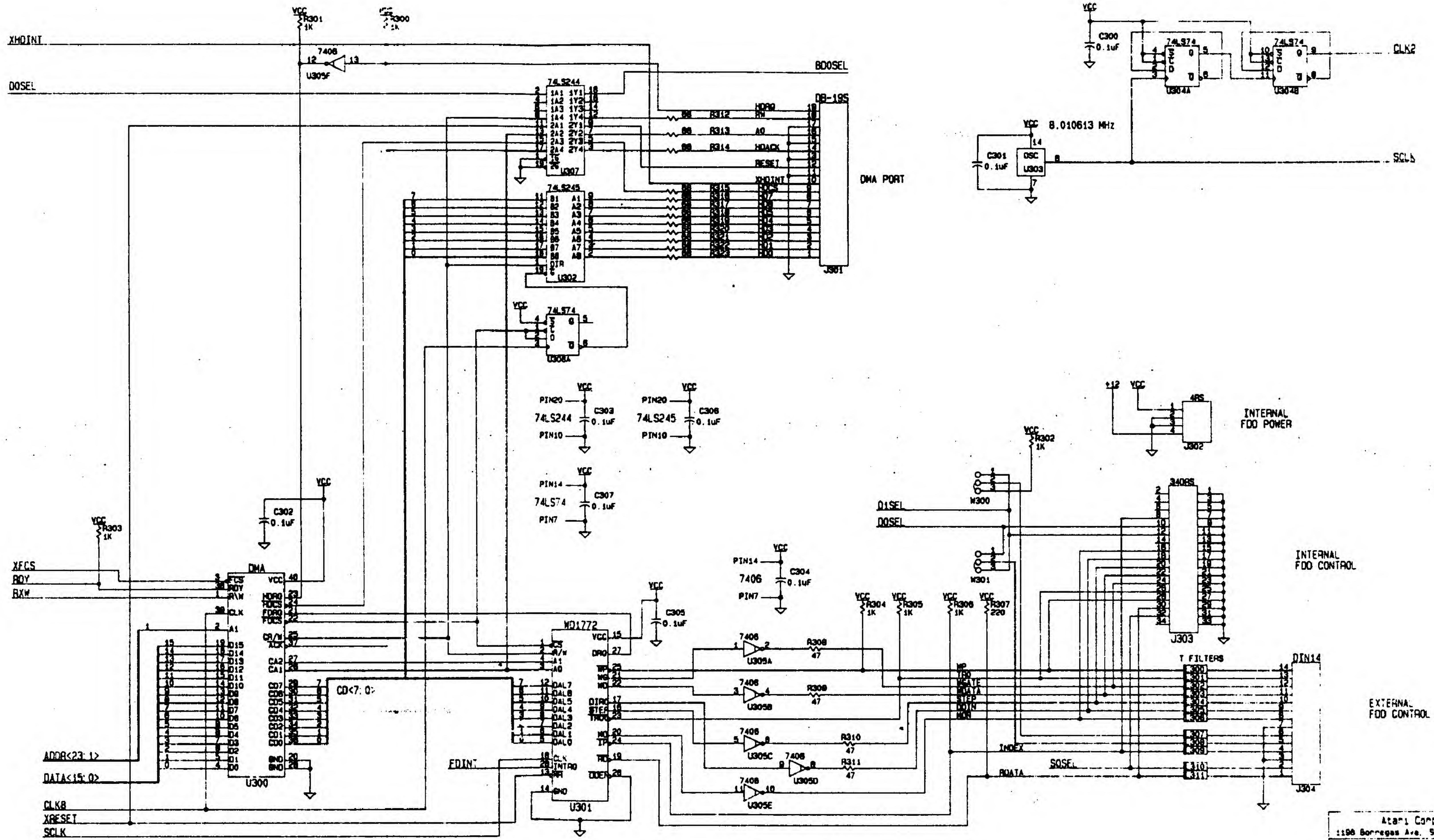
ROM jumper settings

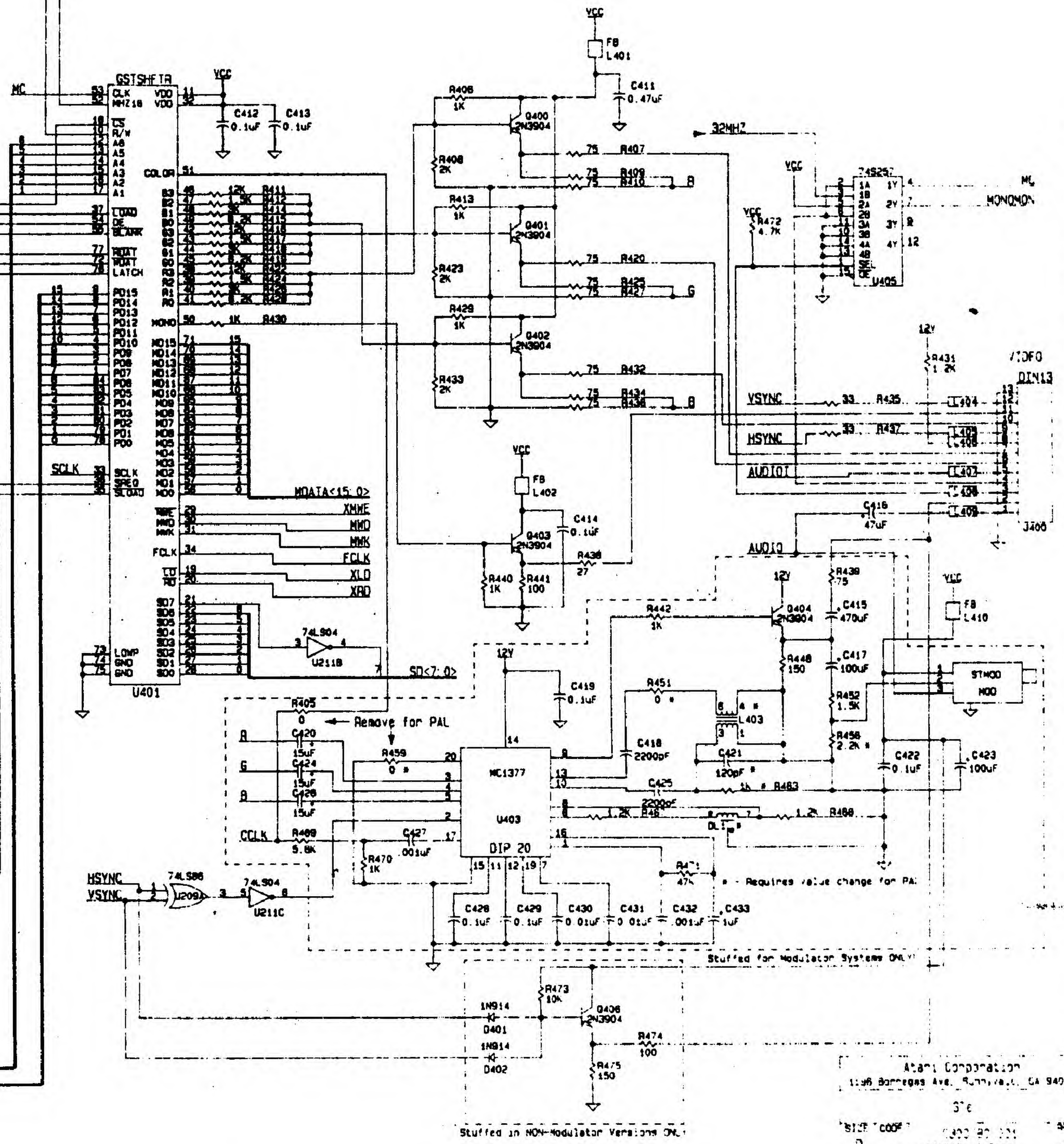
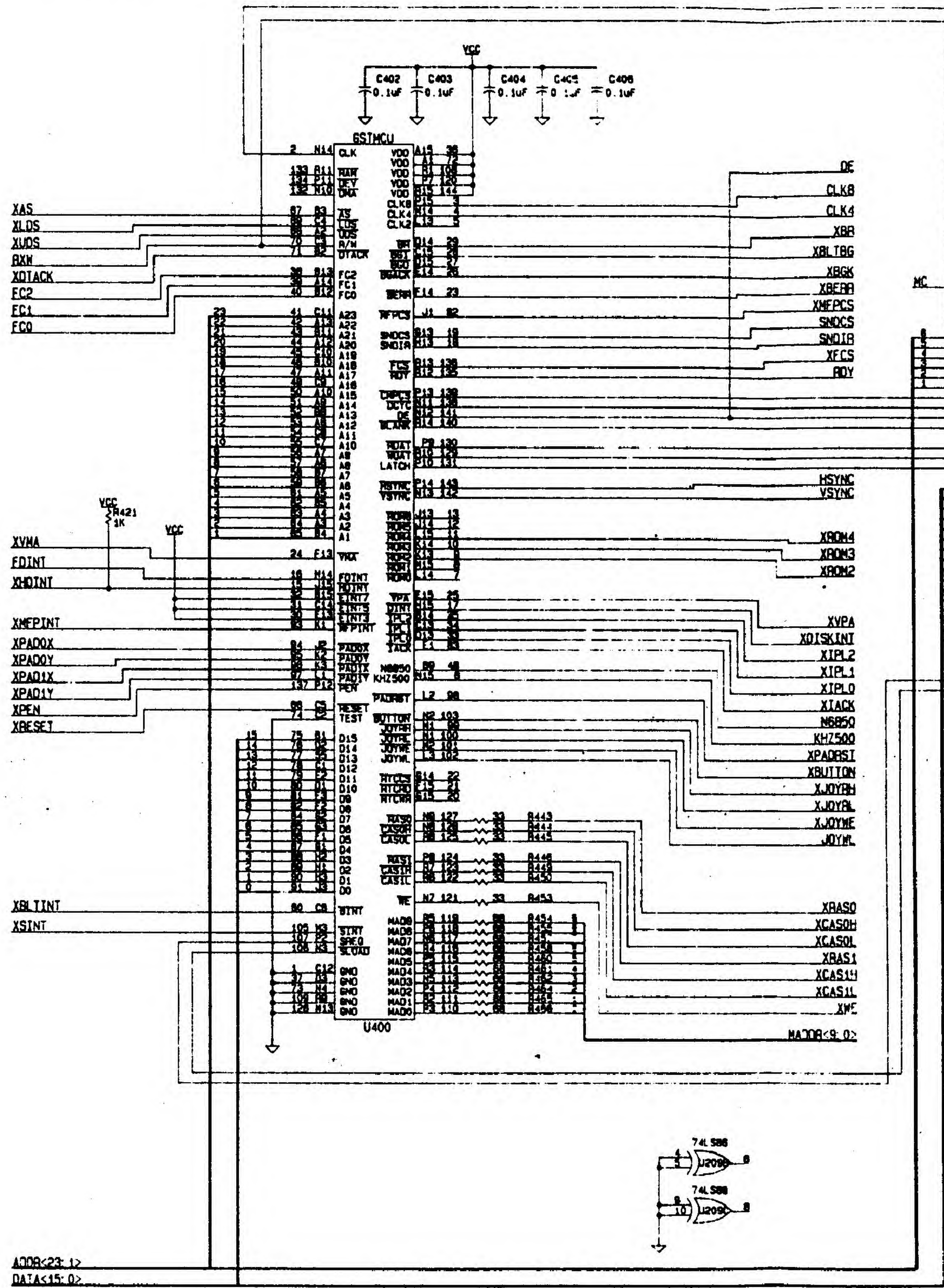
Part Type	M102	M103	M104
27256	Don't Care	1 and 2	N/C
27512	2 and 3	2 and 3	N/C
571001/27C1000/581000	2 and 3	2 and 3	2 and 3
27010/571000/27C1001	1 and 2	2 and 3	1 and 2

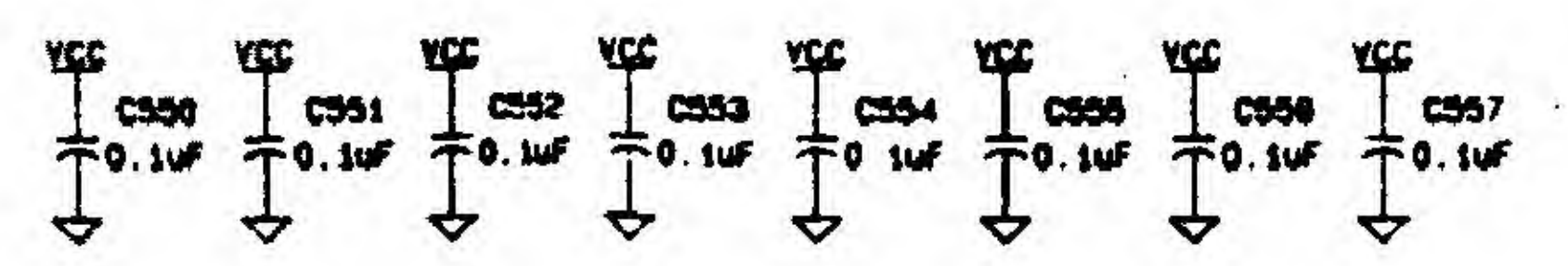
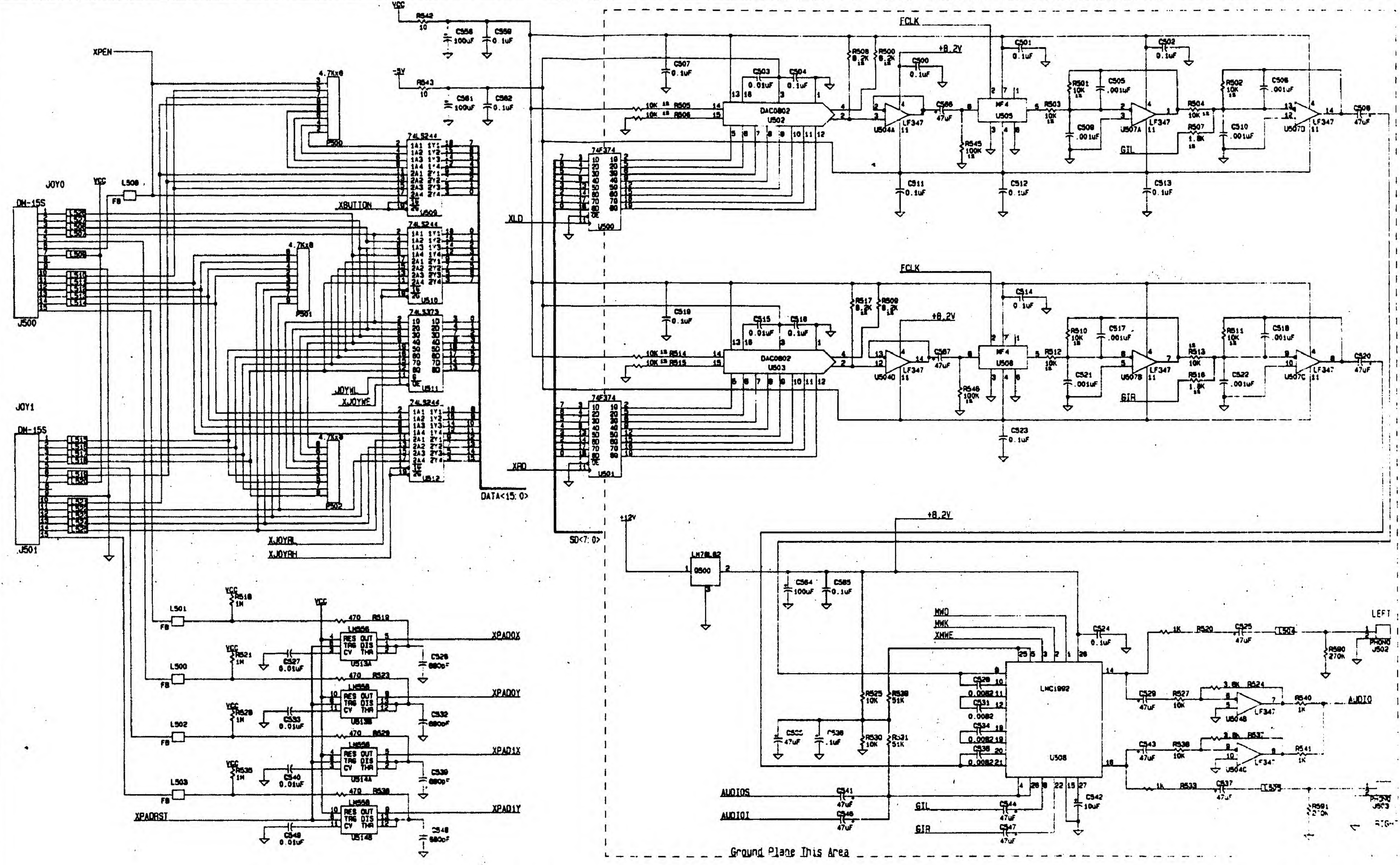
Note: Jumpers are shown set for 1Meg Rows
(See default settings below)



ADDR<23.1>
DATA<15.0>



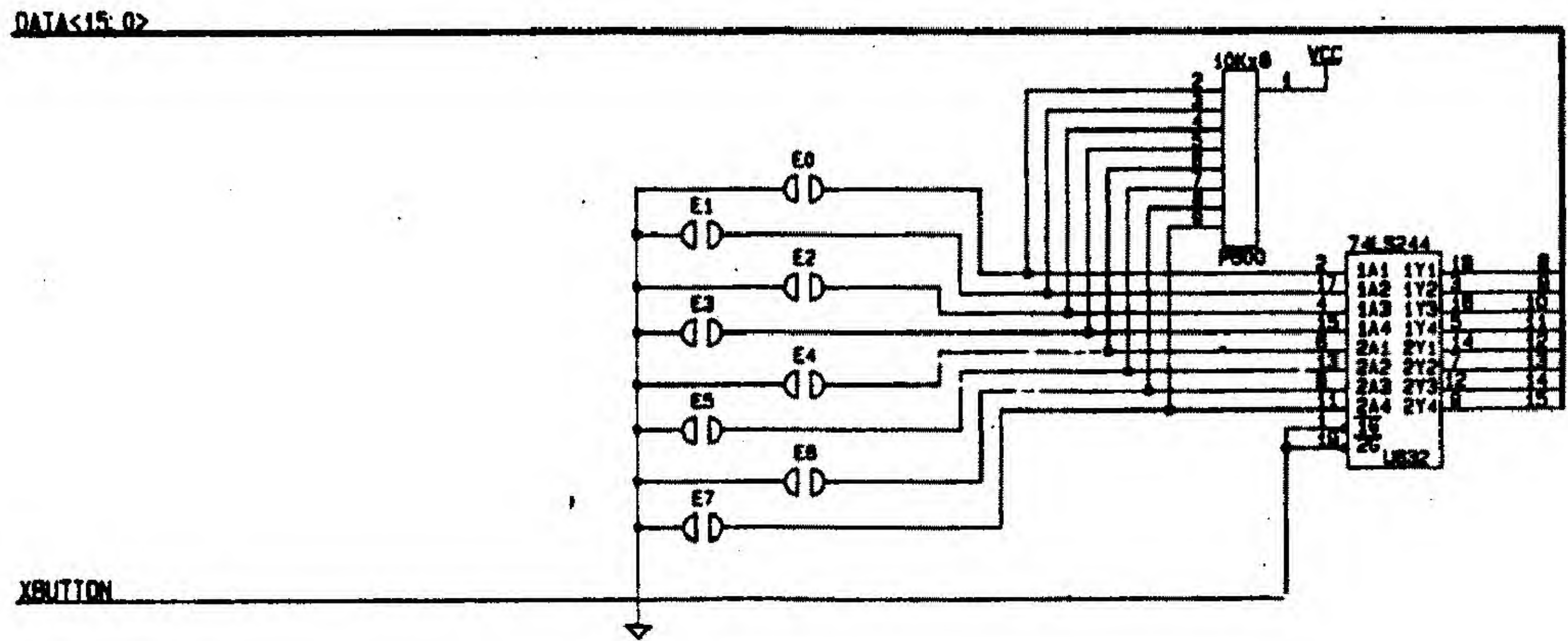
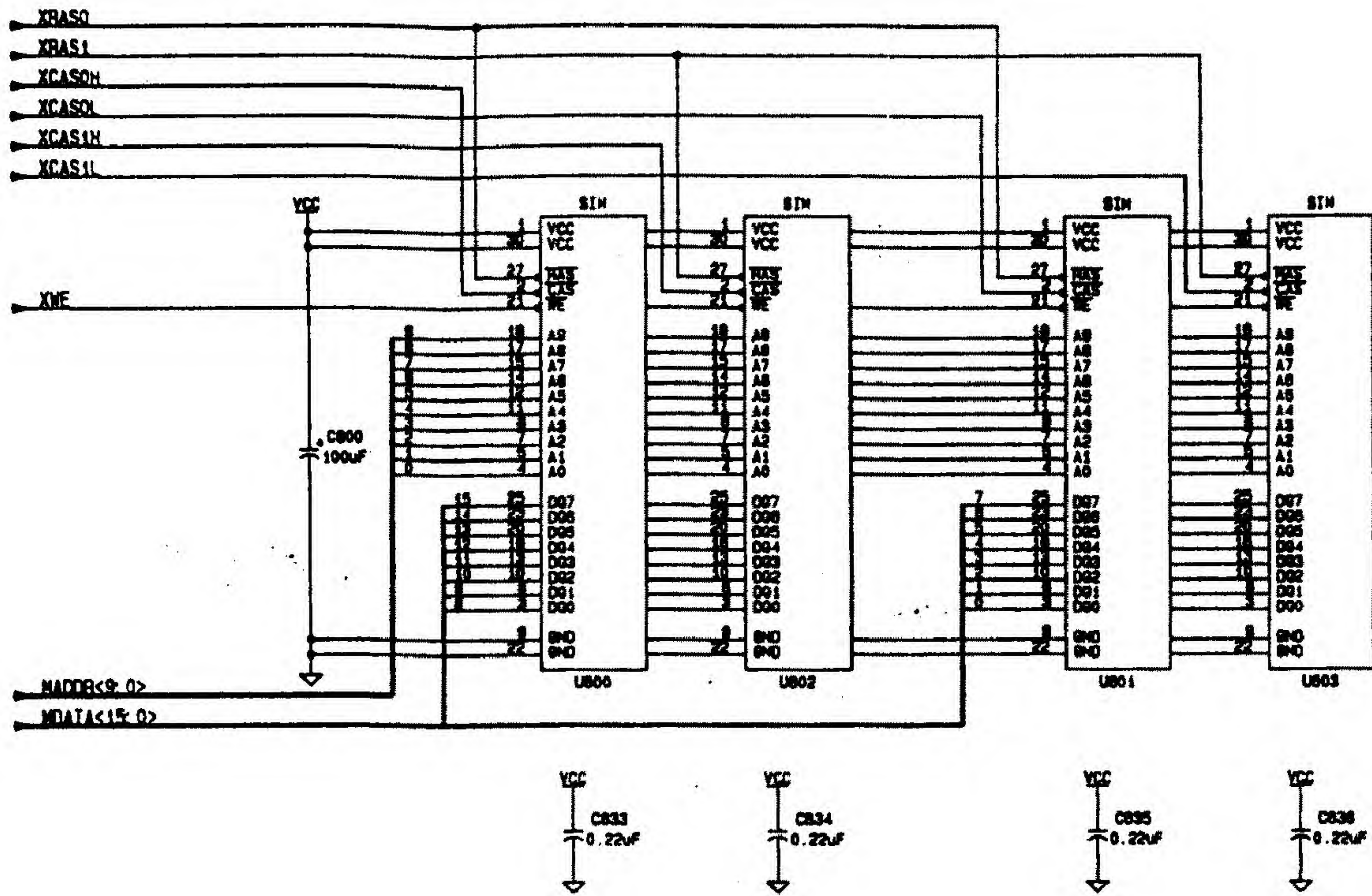




Ground Plane This Area

Last Reference: C565 J503 L527 P502 R591 U514 Q500

Atari Corporation
 1196 Bonnegas Ave. Sunnyvale, CA 94088
 Ste
 SIZE 0005 C300780-001
 0 ENGINEER D Perm A
 DATE October 3, 1986 SEE 337 B



Atari Corporation
1196 Borregas Ave. Sunnyvale, CA 94086

S'e

SIZE CODE 0300780-001
0 ENGINEER J. Ann
DATE 03-08-83 1:00 PM