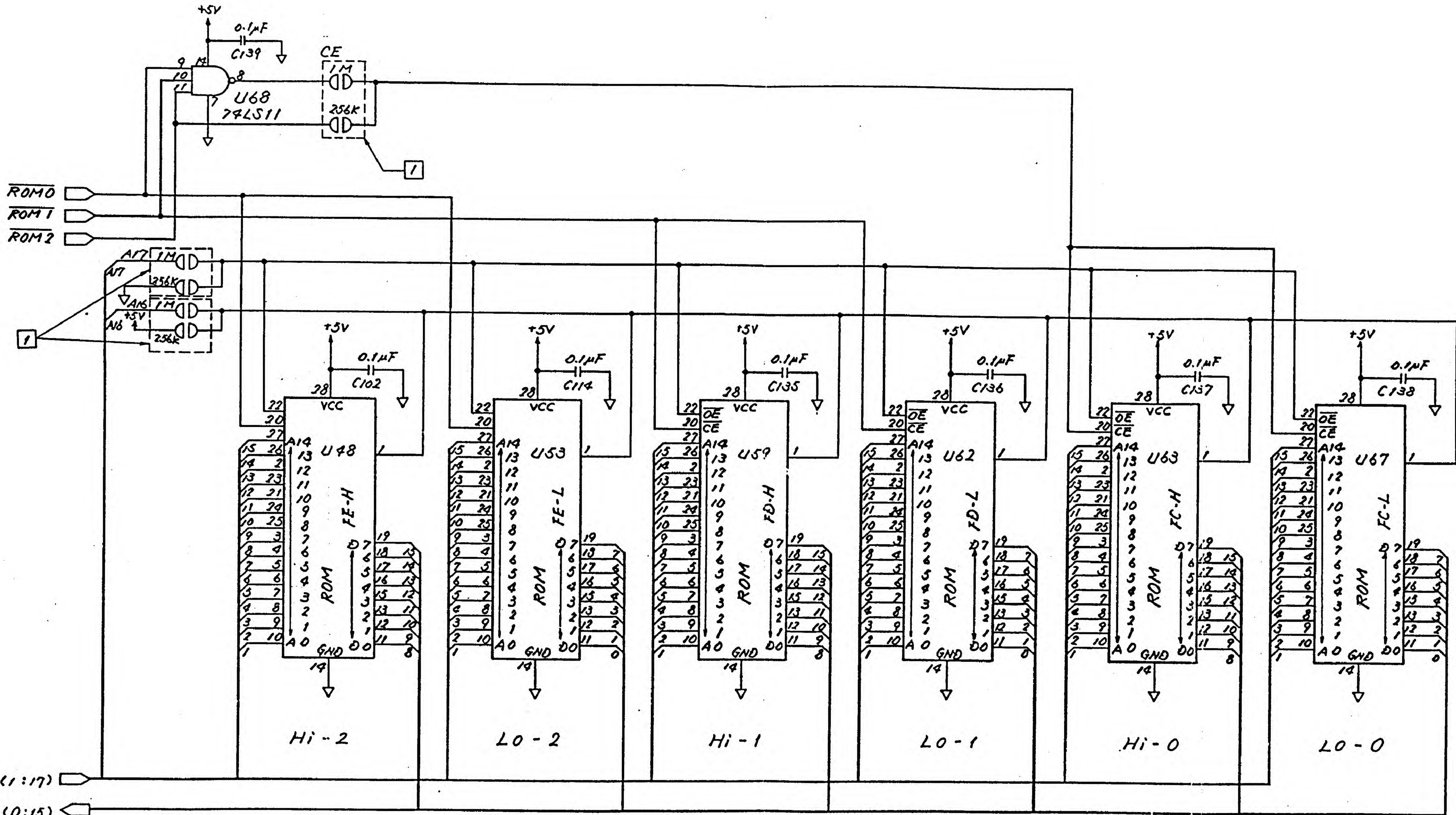


ST BLITTER	JUMPER	W 3	W 4
WITH ST BLITTER	OPEN	OPEN	OPEN
WITHOUT ST BLITTER	SOLDER JUMPER	SOLDER JUMPER	SOLDER JUMPER

DATE	12-19-86	DATE	12-19-86
DESIGNED BY	H. Yamamoto	DATE	12-19-86
CHECKED BY	F. K. L. gans	DATE	12-19-86
MATERIAL	T. Kubota	DATE	12-19-86
FINISH	S. Oshimi	DATE	12-19-86

ATARI (JAPAN) CORPORATION
 Toranomon Kyushu Building 3F
 4-3-10 Toranomon Minato-ku, Tokyo 106
SCHEMATIC DIAGRAM
1090ST
 D. C070787
 NONE

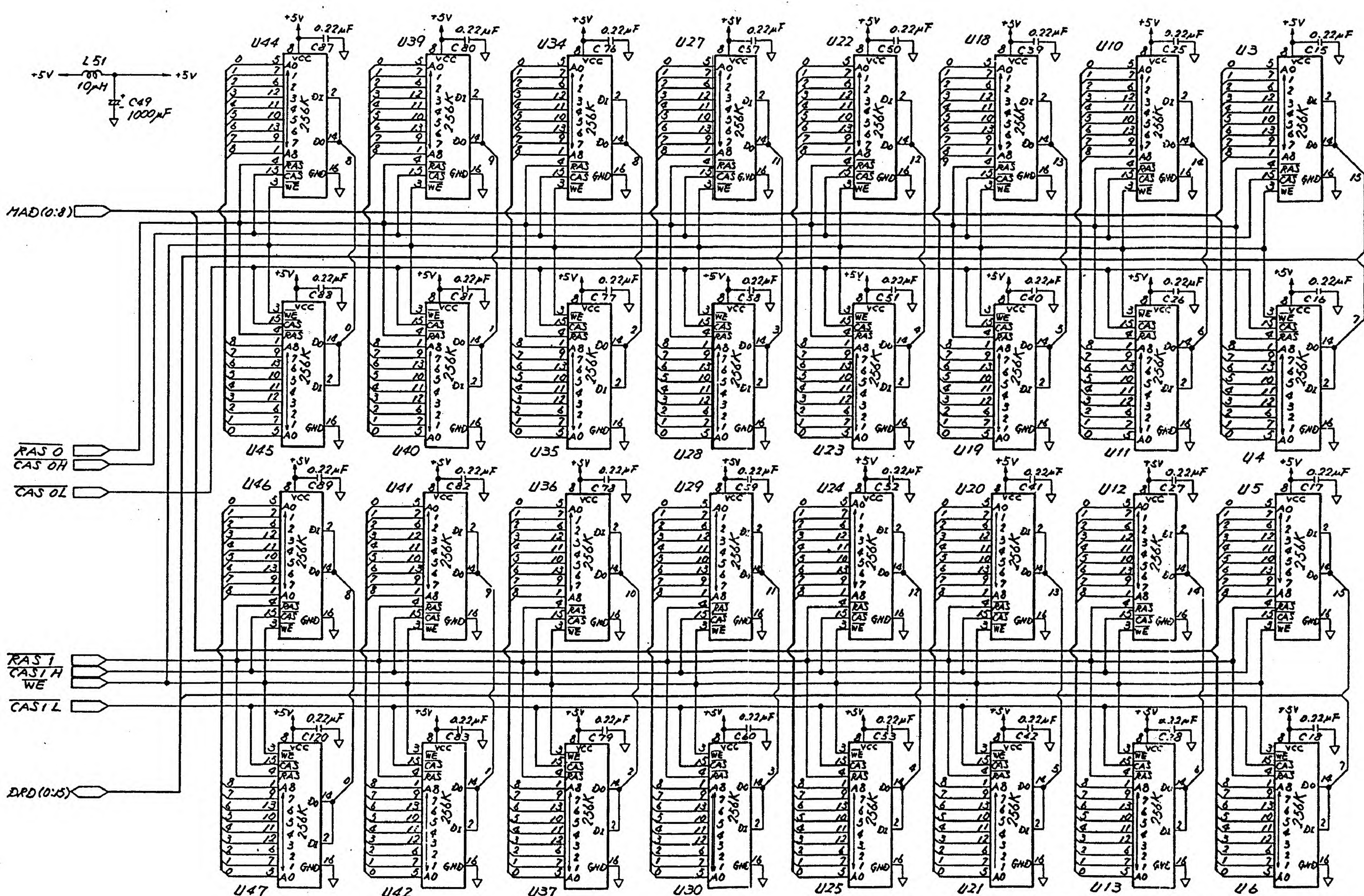


□ U48, U53;

PIN NO.	PIN ASSIGNMENTS	
	256 K	1 M
22	\overline{OE}	A17
1	NC	A16
20	\overline{CE}	\overline{CE}

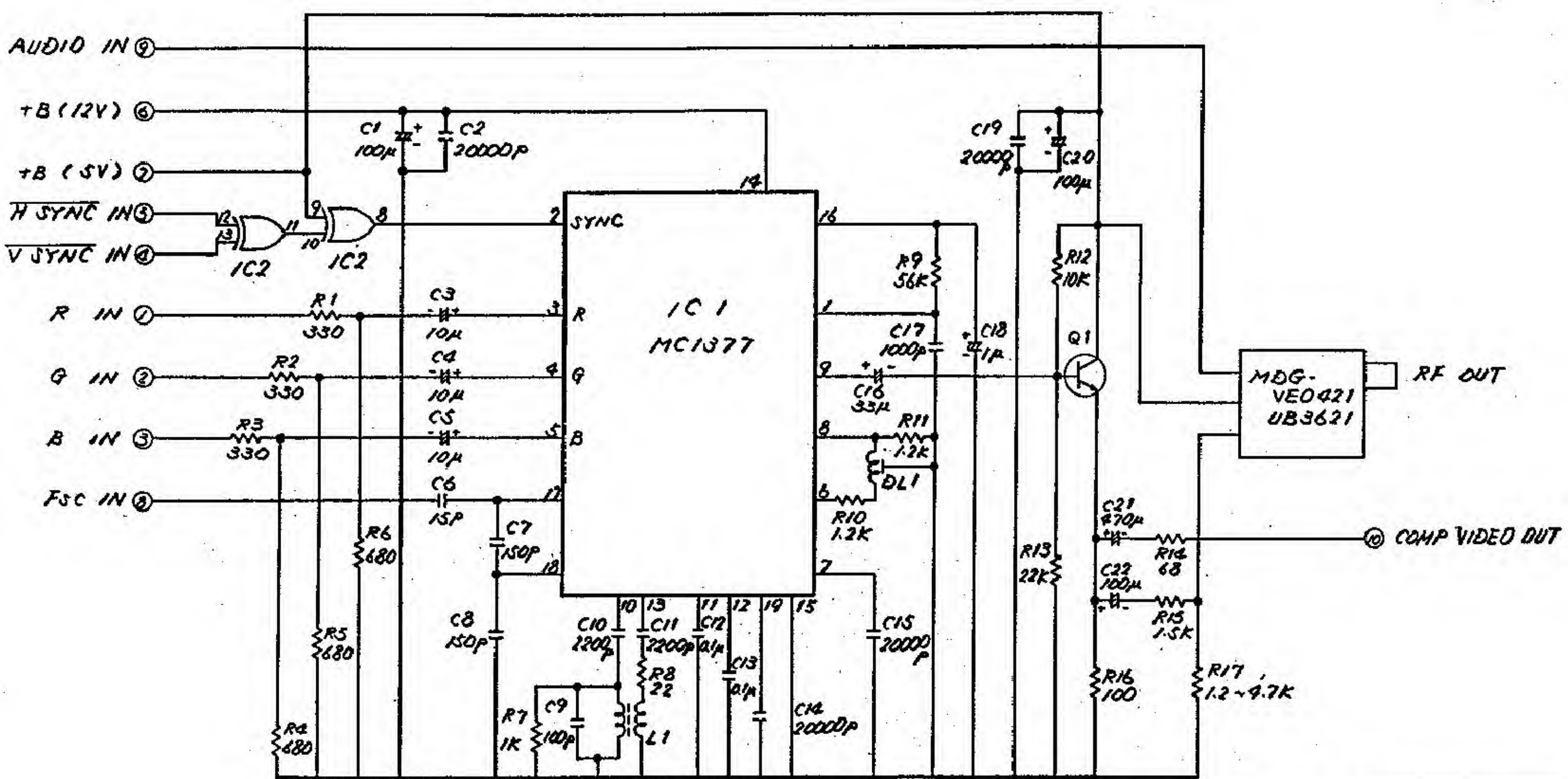
REV	REVISIONS DESCRIPTION	DATE	APPROVED
	SEE SHEET 1.		

USED-ON	DRAWN BY H. Kanomata 12-14-86	DATE 12-14-86	ATARI (JAPAN) CORPORATION Toranomon Kiyoshi Building 4-3-10, Toranomon Minato-ku, Tokyo 105
NEXT ASSY	CHECKED K. Kiyama 12-19-86	DATE 12-19-86	
MATERIAL	ENGINEER T. Kiyama 12-22-86	DATE 12-22-86	TITLE SCHEMATIC DIAGRAM 1040ST
FINISH	APPROVED S. Oshira 12/26/86	DATE 12/26/86	SIZE C DRAWING NO. C070787 SCALE NONE SHEET 4 OF 5



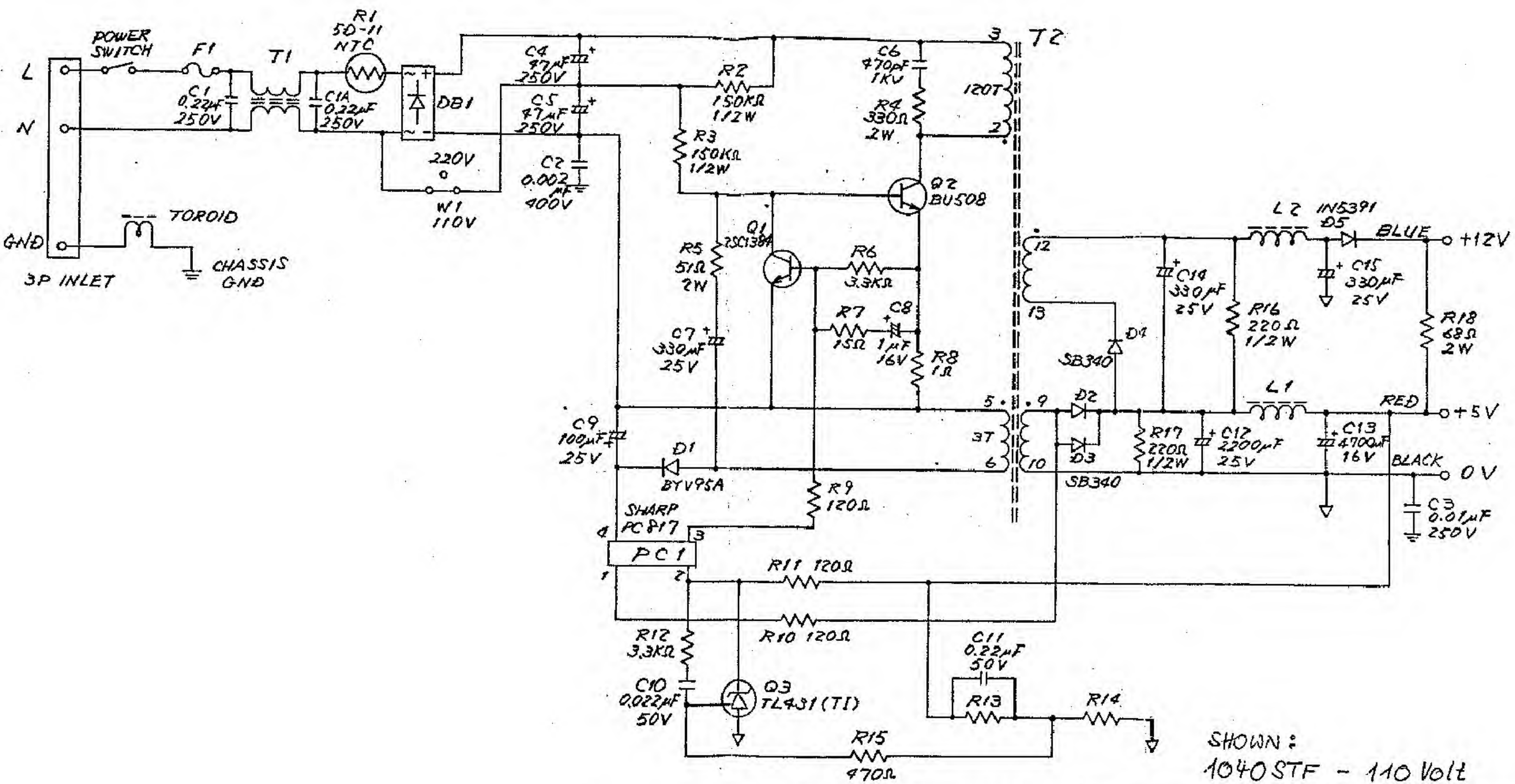
REV	REVISIONS DESCRIPTION	DATE	APPROVED
	SEE SHEET 1.		

USED ON	DRAWN BY H. Kawamoto	DATE 12-18-86	ATARI (JAPAN) CORPORATION Toranomon Kiyoshi Building 4-3-10, Toranomon Minato-ku, Tokyo 105
NEXT ASSY	CHECKED K. Kiyama	DATE 12-22-86	
MATERIAL	ENGINEER T. Iizuka	DATE 12-22-86	TITLE SCHEMATIC DIAGRAM 1080ST
FINISH	APPROVED S. OZAKI	DATE 1/24/87	SIZE C
	APPROVED M. Otsu	DATE 1/24/87	DRAWING NO. C070787
			REV C
			SCALE NONE
			SHEET 5 OF 5



4. COMPONENT PARTS VALUE : R = Ω, C = F
 3. Q1 : 2SC1684 OR EQUIVALENT
 2. IC2 : DN74LS86 OR EQUIVALENT
 1. IC1 : MC1377 OR EQUIVALENT
 NOTES - UNLESS OTHERWISE SPECIFIED:

TOLERANCES		USED ON	DRAWN BY	DATE	ATARI (JAPAN) CORPORATION	
UNDER 30	±0.1	NEXT ASSY	H. Kawada	6-11-86	Toranomon Kiyoshi Building 3F	
30 THRU 300	±0.2	MATERIAL	K. Kiyama	6-13-86	4-3-10, Toranomon Minato-ku, Tokyo 105	
OVER 300	±0.4	FINISH	K. Matsuura	6-17-86	TITLE	
			APPROVED	DATE	RGB/ENCODER MODULATOR	
					SIZE	DRAWING No.
					B	C070518
					SCALE	SHEET 8 OF 10
					NONE	



REV	REVISIONS DESCRIPTION	DATE	APPROVED
A	PRODUCTION RELEASE	7/20/87	<i>[Signature]</i>

TOLERANCES	
UNDER 30	±0.1
30 THRU 300	±0.2
OVER 300	±0.4

USED ON	DATE
ASP34-1	4/23/86
DRAWN BY	DATE
I. Yoshida	4/23/86
CHECKED	DATE
K. Kitagawa	9-18-86
ENGINEER	DATE
A. Shinagawa	10-23-86
APPROVED	DATE
<i>[Signature]</i>	10/23/86

		ATARI (JAPAN) CORPORATION Toranomon Kiyoshi Building 3F 4-3-10, Toranomon Minato-ku, Tokyo 105	
TITLE SCHEMATIC DIAGRAM (ASP34-1)			
SIZE	DRAWING NO.	REV	
B	C070798	A	
SCALE	NONE	SHEET	1 OF 1