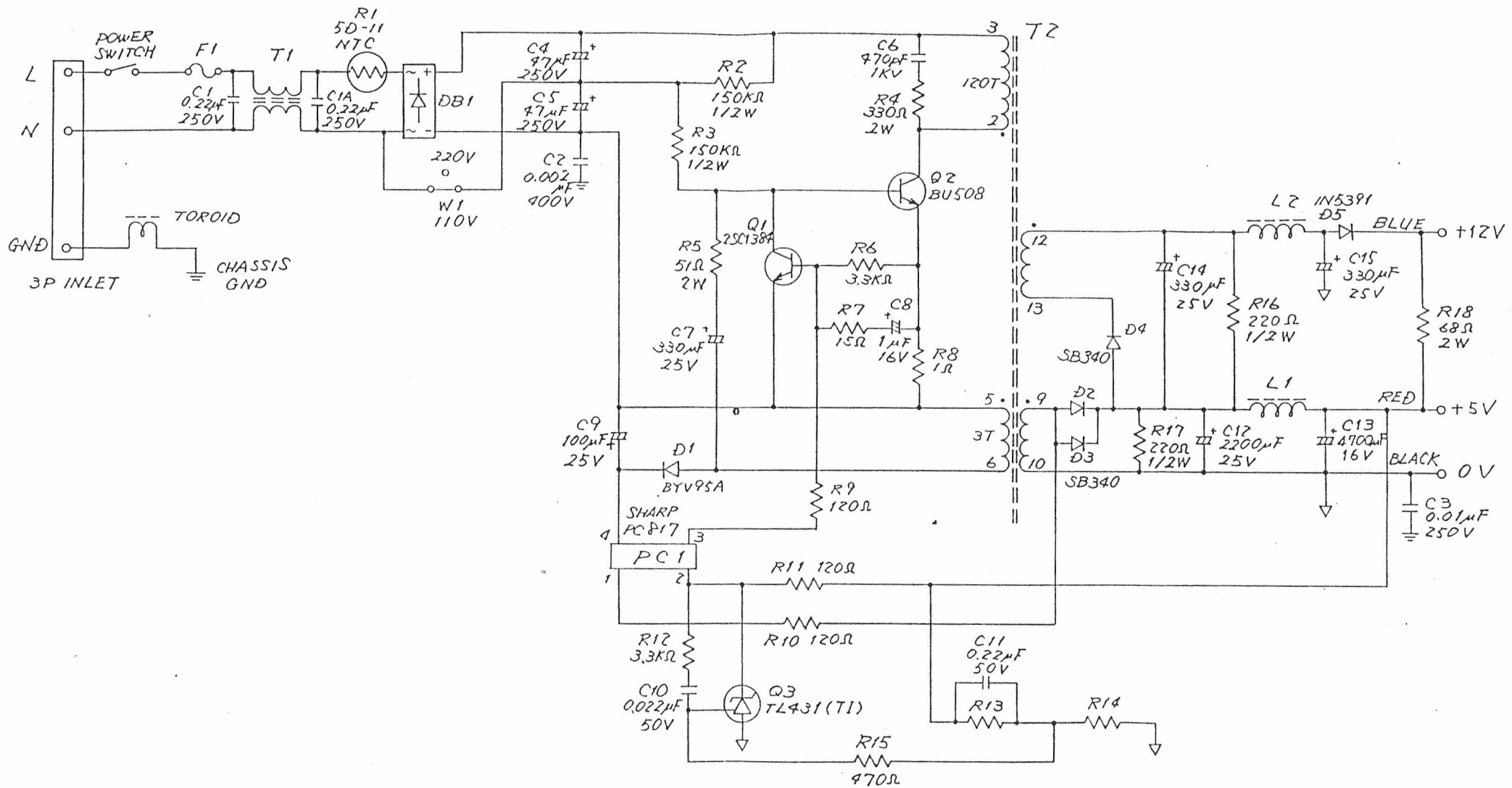
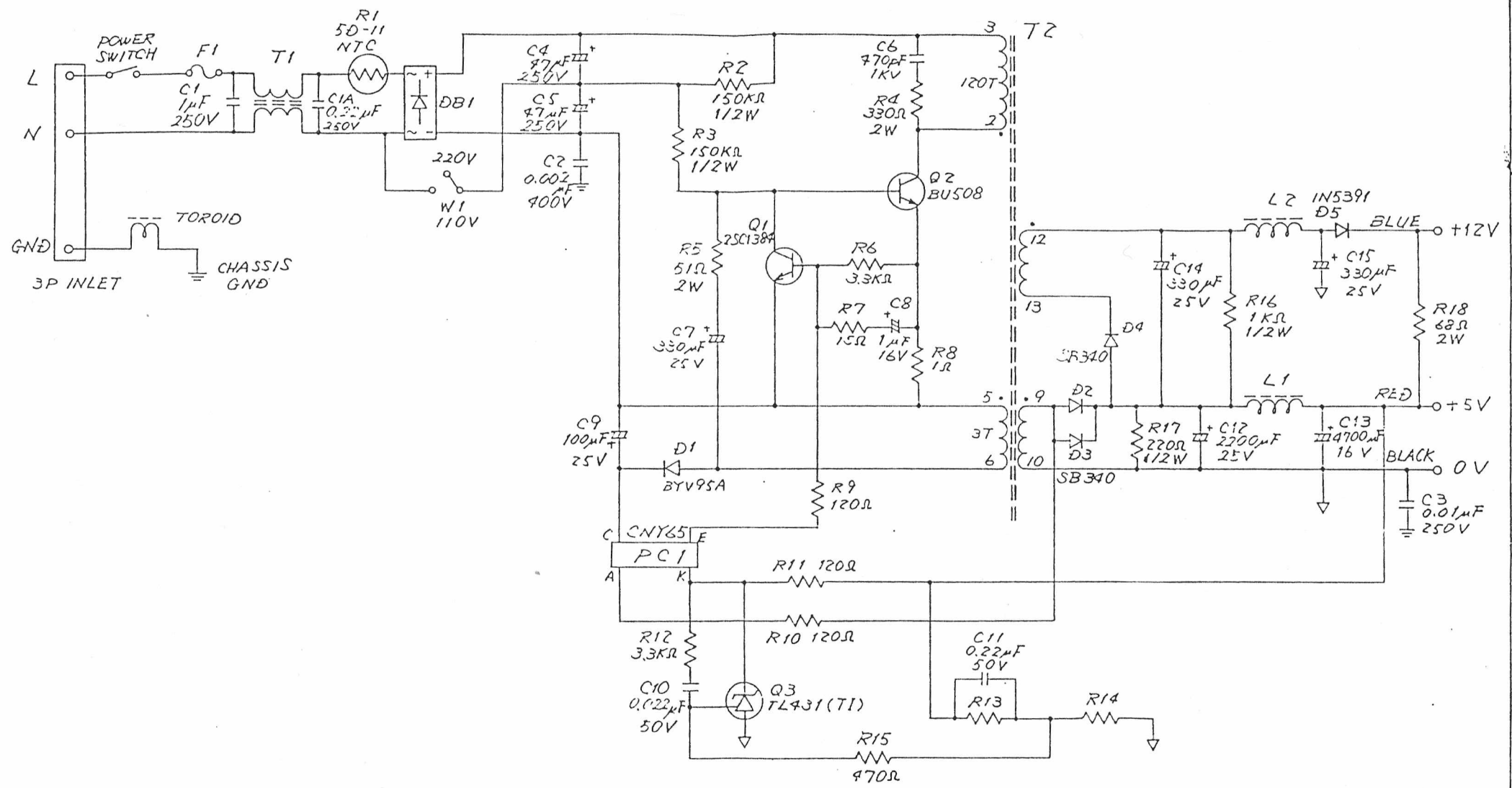


REV	REVISIONS DESCRIPTION	DATE	APPROVED
A	PRODUCTION RELEASE	2/2/87	<i>[Signature]</i>

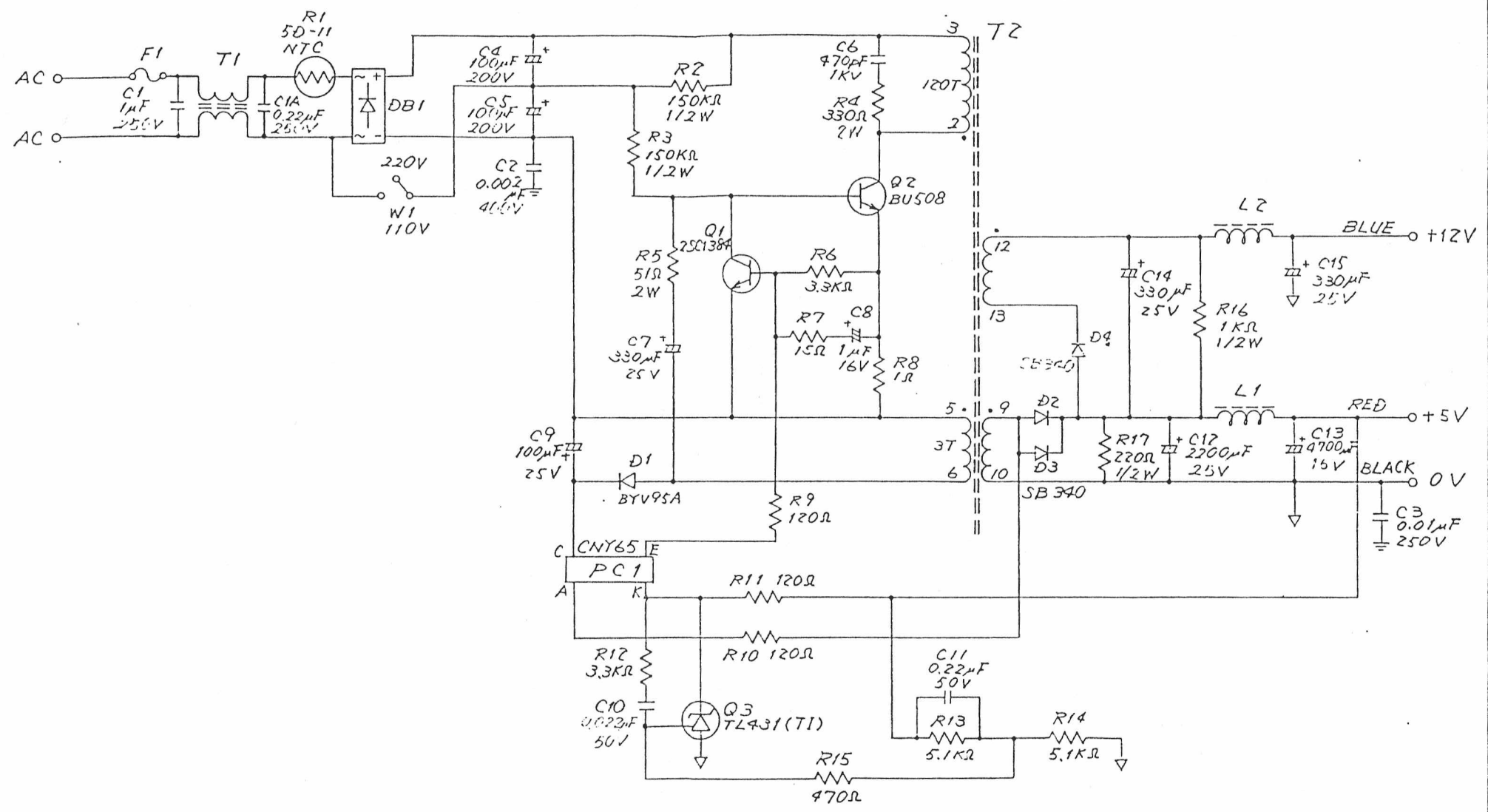


TOLERANCES		USED ON	DRAWN BY	DATE	ATARI (JAPAN) CORPORATION Toranomon Kiyoshi Building 3F 4-3-10, Toranomon Minato-ku, Tokyo 105
UNDER 30	±0.1	ASP34-1	I. Yoshida	9/23/86	
30 THRU 300	±0.2	NEXT ASSY	K. Kitagawa	9-18-86	TITLE SCHEMATIC DIAGRAM (ASP34-1)
OVER 300	±0.4	MATERIAL	A. Shinagawa	10-23-86	SIZE - DRAWING NO. B, C070798
		FINISH			REVISION A
			APPROVED	DATE	SCALE NONE SHEET 1 OF 1
			<i>[Signature]</i>	12/2/86	



USED ON ASP 34-2	DRAWN BY I. Yoshida	DATE 9/23/86	ATARI (JAPAN) CORPORATION Toranomon Kiyoshi Building 3F 4-3-10, Toranomon Minato-ku, Tokyo 105
NEXT ASSY	CHECKED K. Kizagawa	DATE 9-18-86	
TOLERANCES	MATERIAL	ENGINEER A. Shinogawa	TITLE SCHEMATIC DIAGRAM (ASP34-2)
UNDER 30 ±0.1	FINISH	APPROVED	DATE 10-23-86
30 THRU 300 ±0.2		APPROVED BY H. K.	DATE 11/3/86
OVER 300 ±0.4			
			SIZE DRAWING NO. B C100114
			SCALE NONE SHEET 1 OF 1

REV	REVISIONS DESCRIPTION	DATE	APPROVED
A	PRODUCTION RELEASE		



USED ON ASP34-3		DRAWN BY I. Yoshida	DATE 9/23/86	ATARI (JAPAN) CORPORATION Toranomon Kiyoshi Building 3F 4-3-10, Toranomon Minato-ku, Tokyo 105
NEXT ASSY		CHECKED K. H. Tagawa	DATE 9-18-86	
TOLERANCES		ENGINEER A. Shinagawa	DATE 10-23-86	TITLE SCHEMATIC DIAGRAM (ASP34-3)
UNDER 30	±0.1	APPROVED	DATE	SIZE DRAWING NO. B C100116
30 THRU 300	±0.2	APPROVED	DATE	REV A
OVER 300	±0.4	APPROVED	DATE	SCALE NONE SHEET 1 OF 1