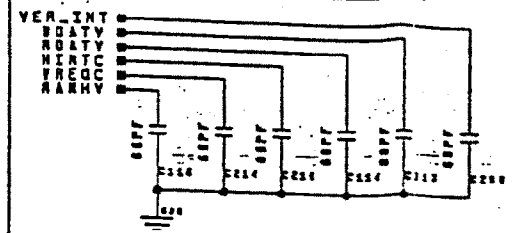


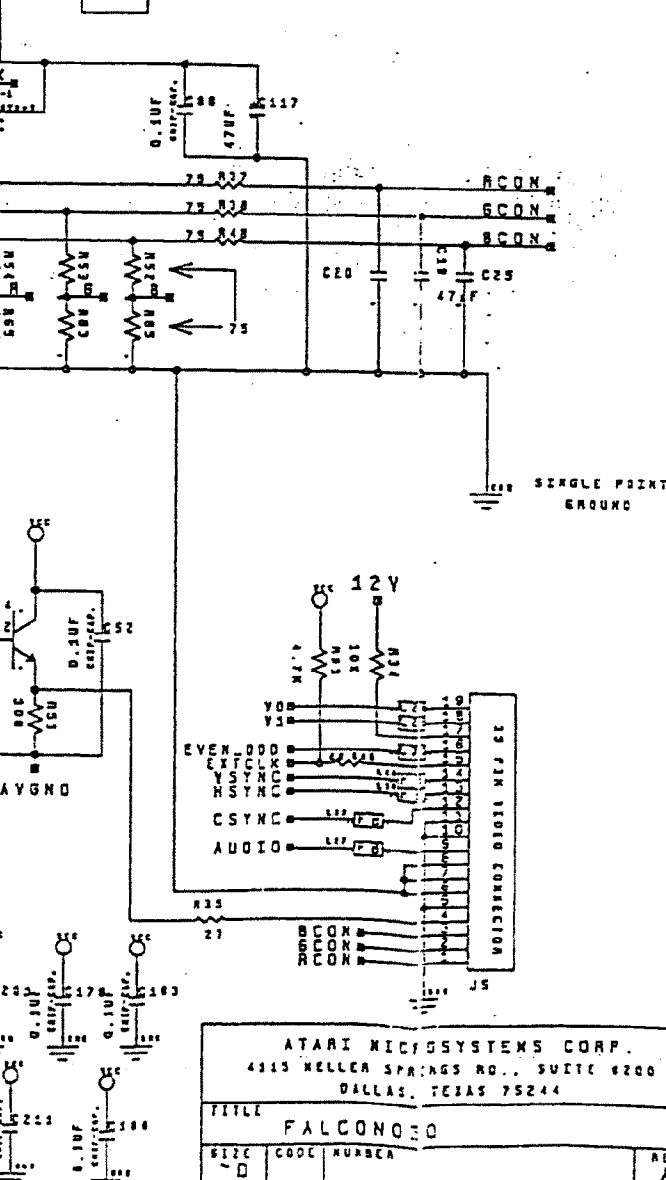
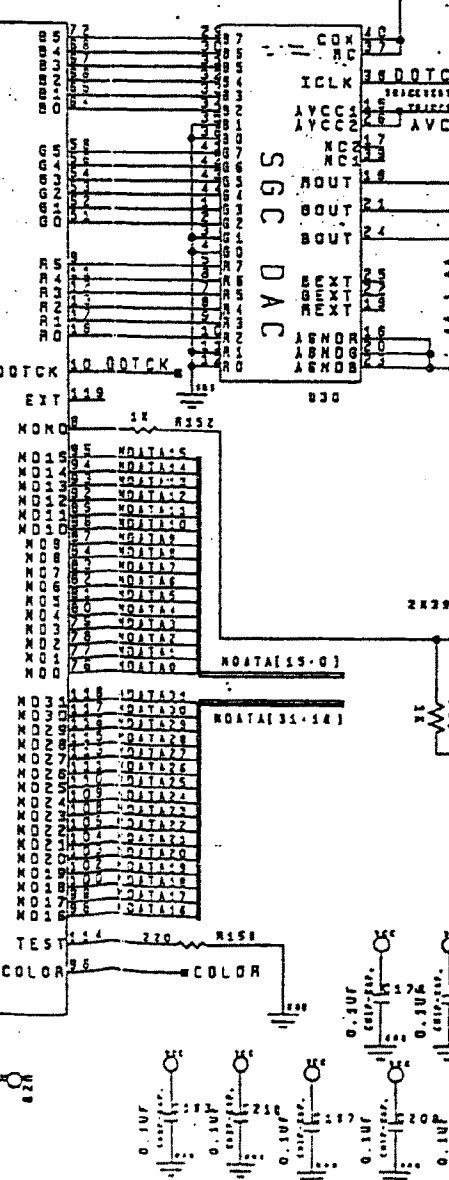
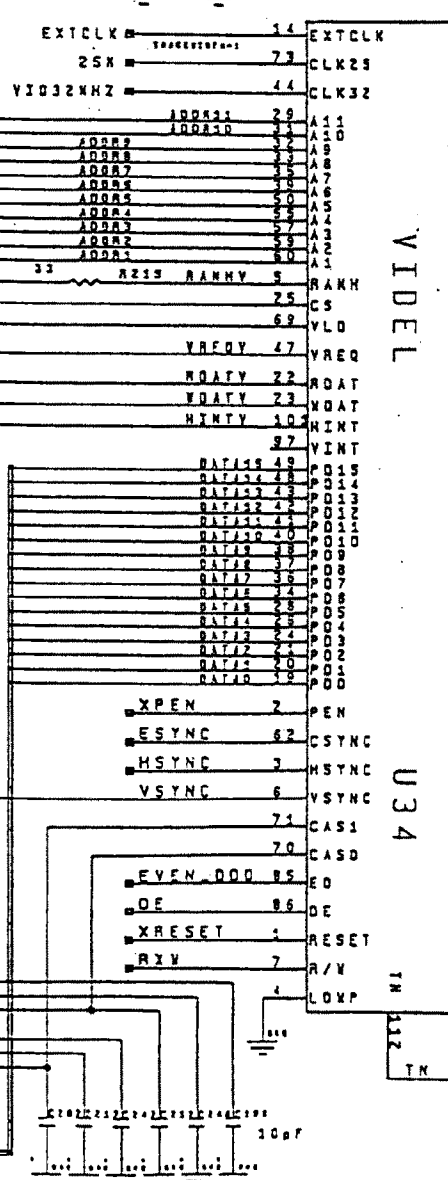
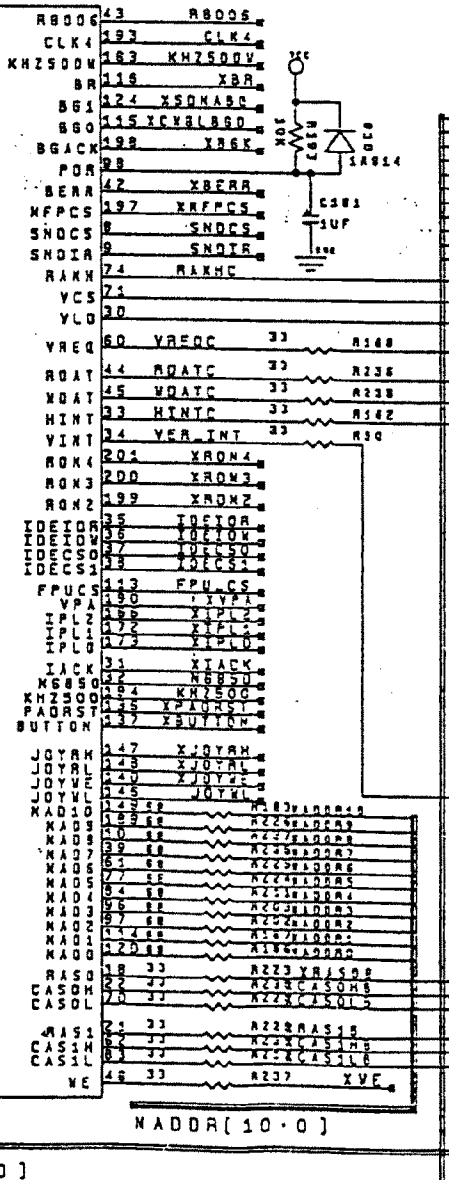
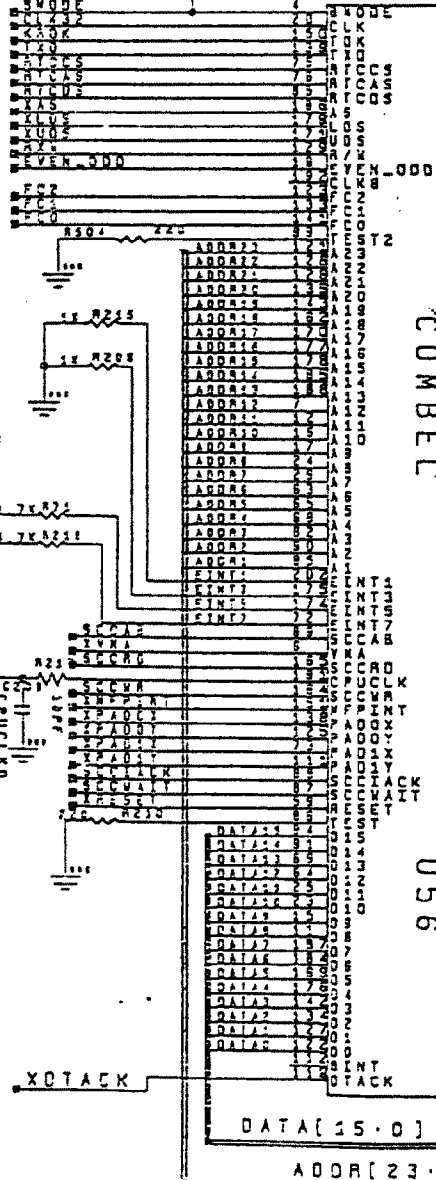
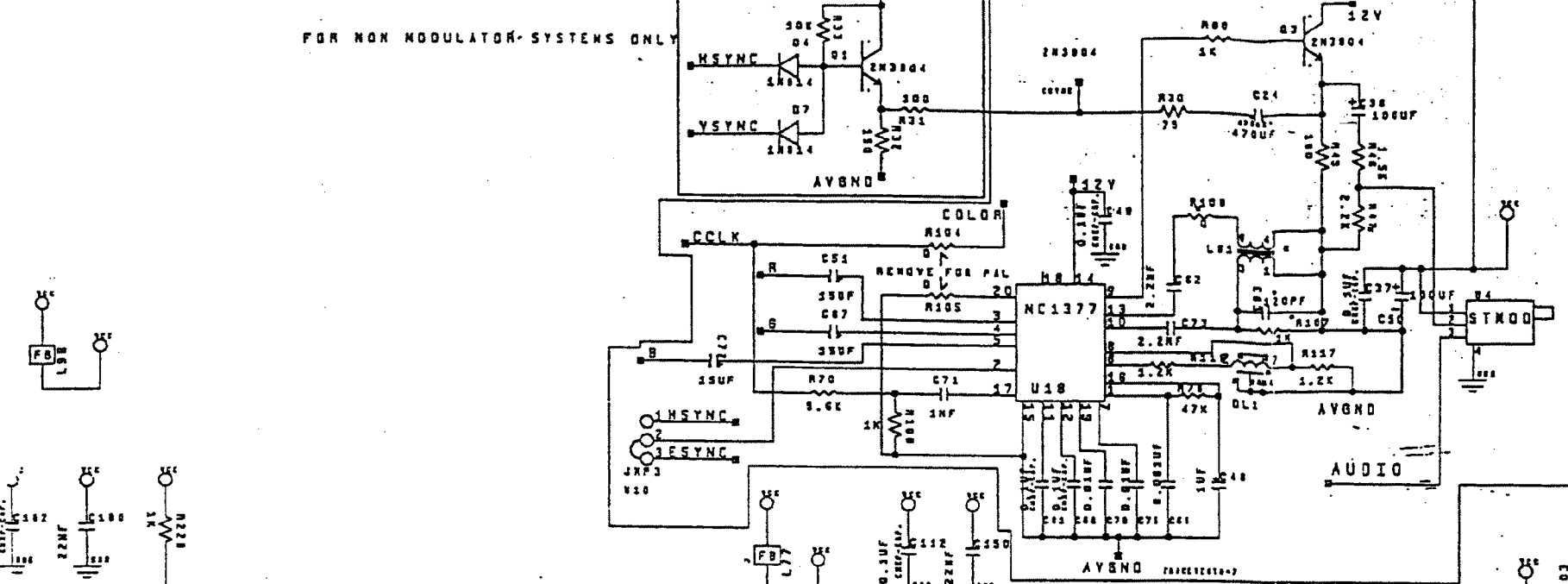
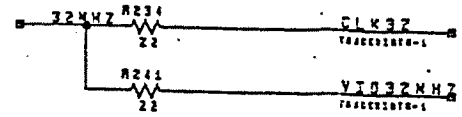
ATARI MICROSYSTEMS CORP.  
 4155 KELLER SPRINGS RD., SUITE #200  
 DALLAS, TEXAS 75244

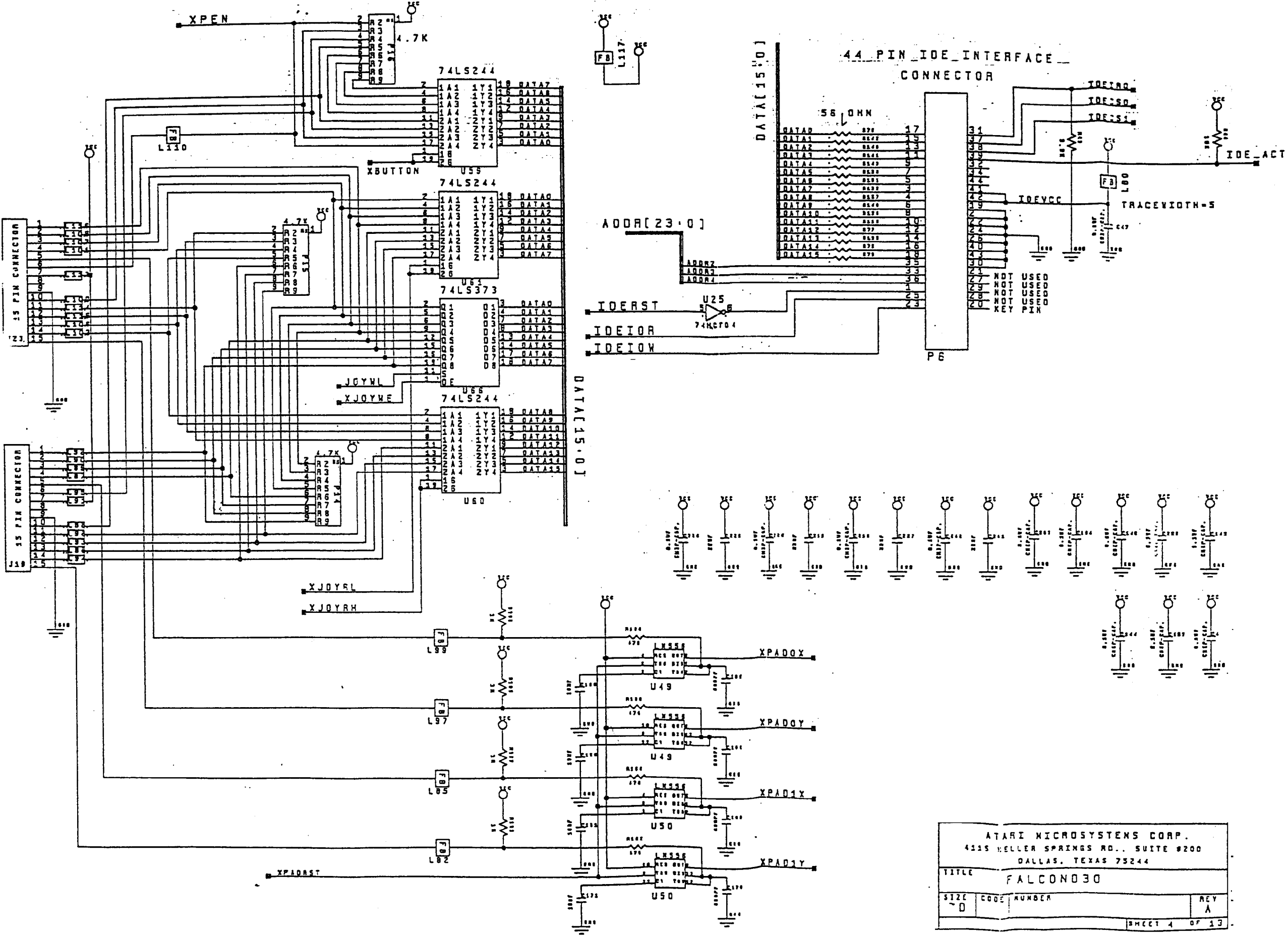
TITLE			FALCON030		
SIZE	CODE	NUMBER	REV	A	
SHEET 2 OF 3					

FOR NON MODULATOR SYSTEMS ONLY



REQUIRES VALUE CHANGE FOR PAL  
FOR MODULATOR SYSTEMS ONLY  
NOTE: JRPZLST MUST BE PLACED NEAR U38





44 PIN IDE INTERFACE CONNECTOR

DATA0	17	31	IDEVCC
DATA1	15	32	TRACEWIDTH=5
DATA2	13	33	
DATA3	11	34	
DATA4	9	35	
DATA5	7	36	
DATA6	5	37	
DATA7	3	38	
DATA8	1	39	
DATA9	15	40	
DATA10	13	41	
DATA11	11	42	
DATA12	9	43	
DATA13	7	44	
DATA14	5	45	
DATA15	3	46	
		47	
		48	
		49	
		50	
		51	
		52	
		53	
		54	
		55	
		56	
		57	
		58	
		59	
		60	
		61	
		62	
		63	
		64	
		65	
		66	
		67	
		68	
		69	
		70	
		71	
		72	
		73	
		74	
		75	
		76	
		77	
		78	
		79	
		80	
		81	
		82	
		83	
		84	
		85	
		86	
		87	
		88	
		89	
		90	
		91	
		92	
		93	
		94	
		95	
		96	
		97	
		98	
		99	
		100	

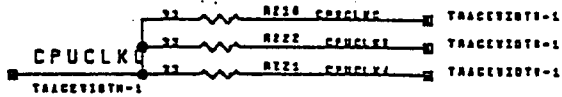
ATARI MICROSYSTEMS CORP.  
 4315 HELLER SPRINGS RD., SUITE #200  
 DALLAS, TEXAS 75244

TITLE	FALCON030		
SIZE	CODE	NUMBER	REV
D			A

SHEET 4 OF 13

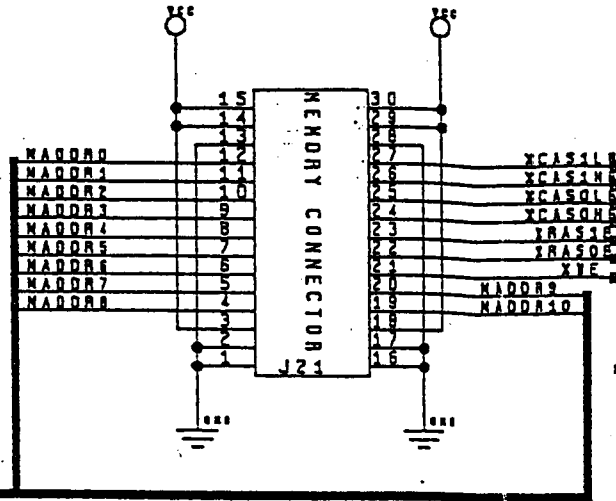
ATARI MICROSYSTEMS CORP.  
 4115 KELLER SPRINGS RD., SUITE #200  
 DALLAS, TEXAS 75244

TITLE			
FALCON030			
SIZE	CODE	NUMBER	RE
D			A
			SHEET 5 OF 5



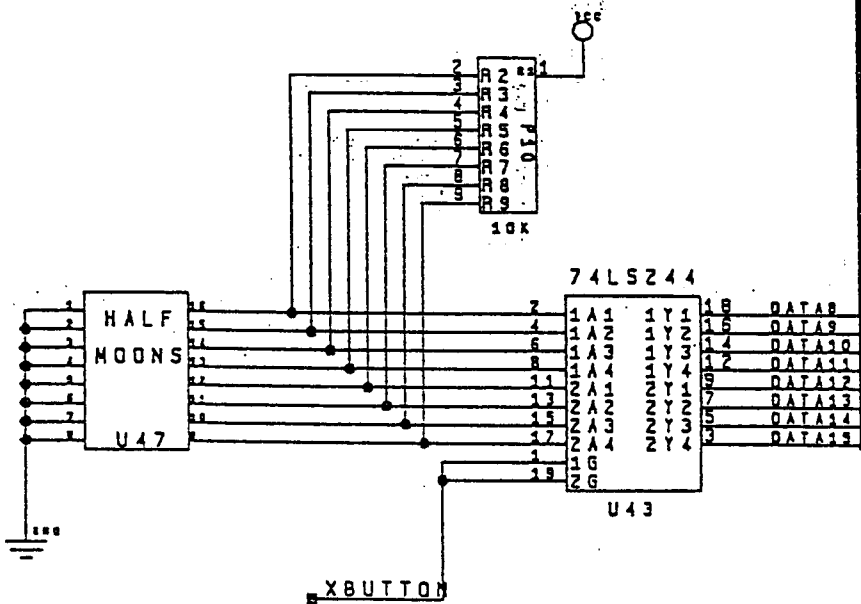
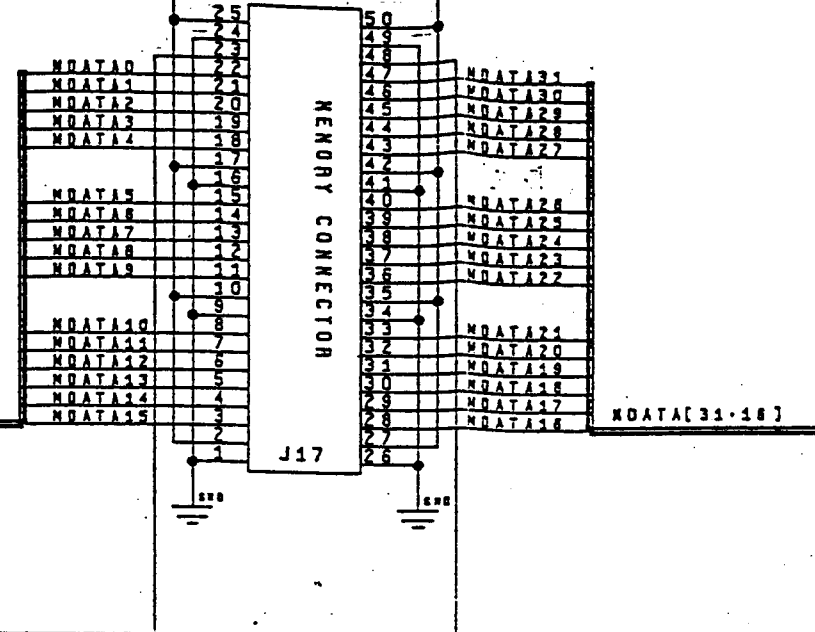
MADDR[10:0]

DATA[15:0]

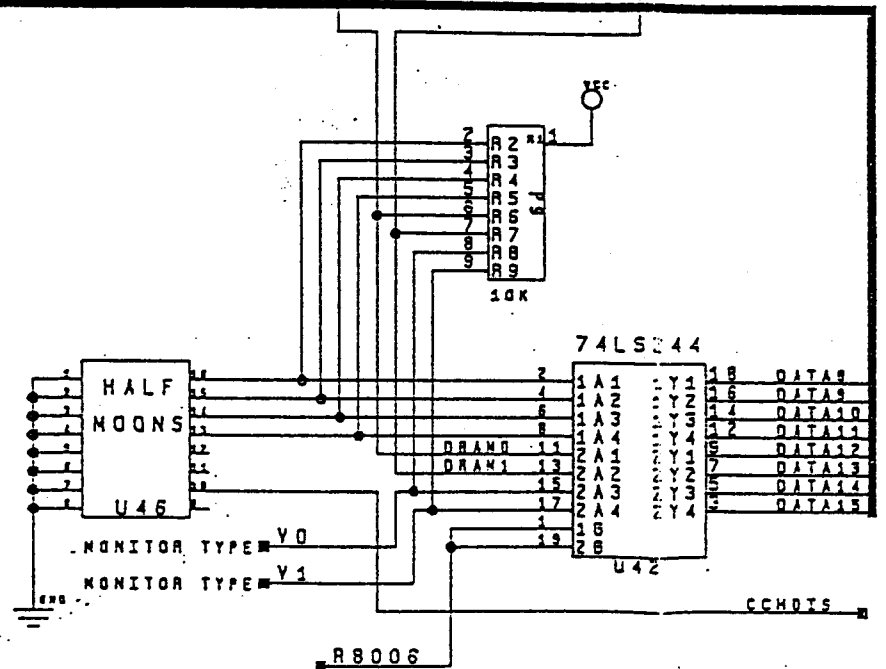
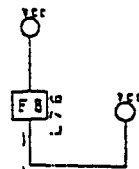


MDATA[15:0]

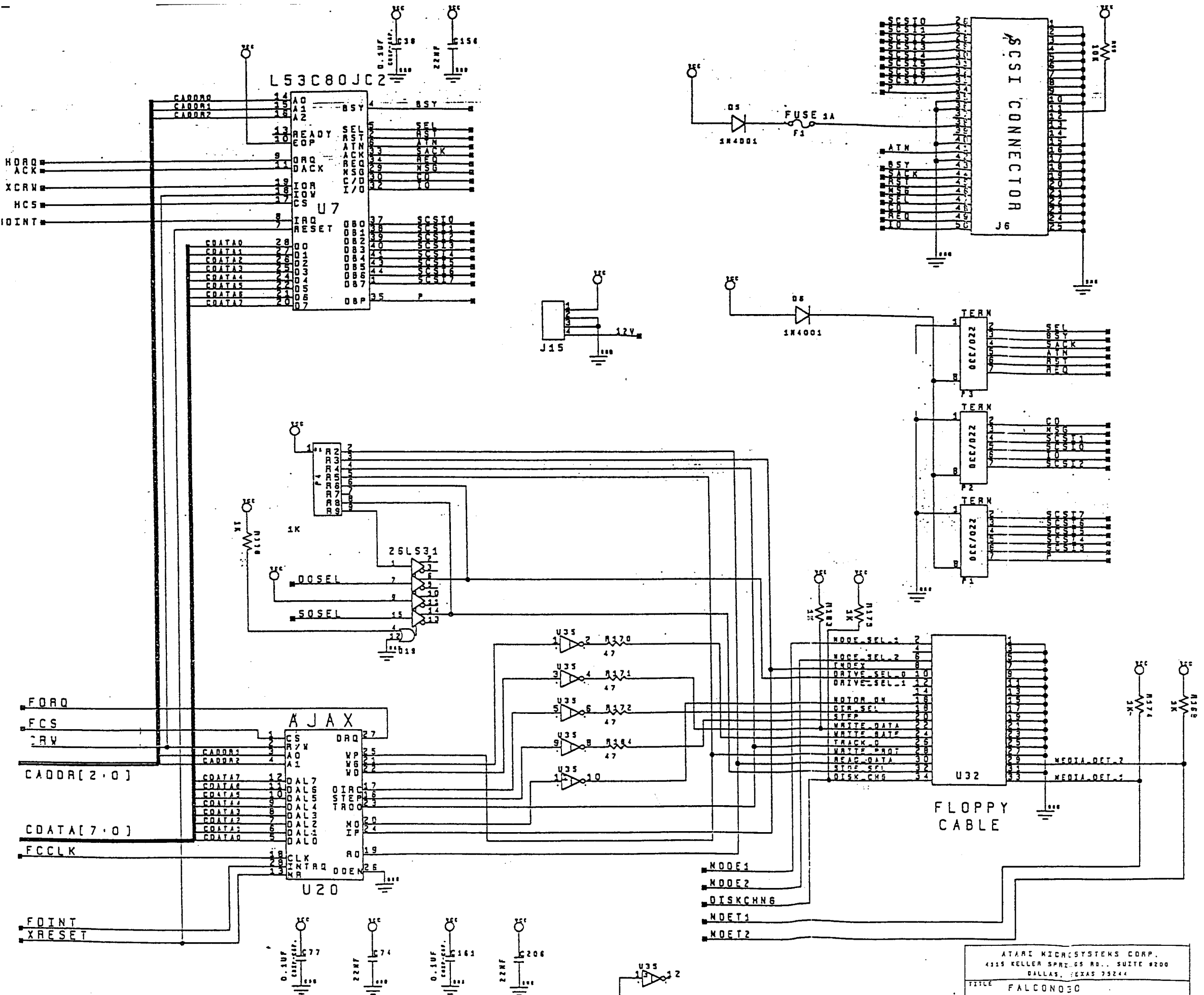
MDATA[31:16]



RAN WAIT STATE  
 16/32 VIDEO BUS  
 RON WAIT STATE  
 RON WAIT STATE  
 DRAM TYPE  
 DRAM TYPE





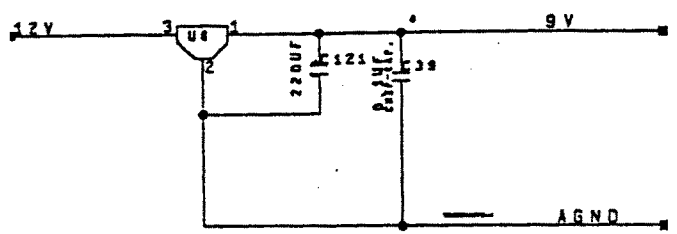


ATARI MICROSYSTEMS CORP.  
 4115 KELLER SPRINGS RD., SUITE #200  
 DALLAS, TEXAS 75244

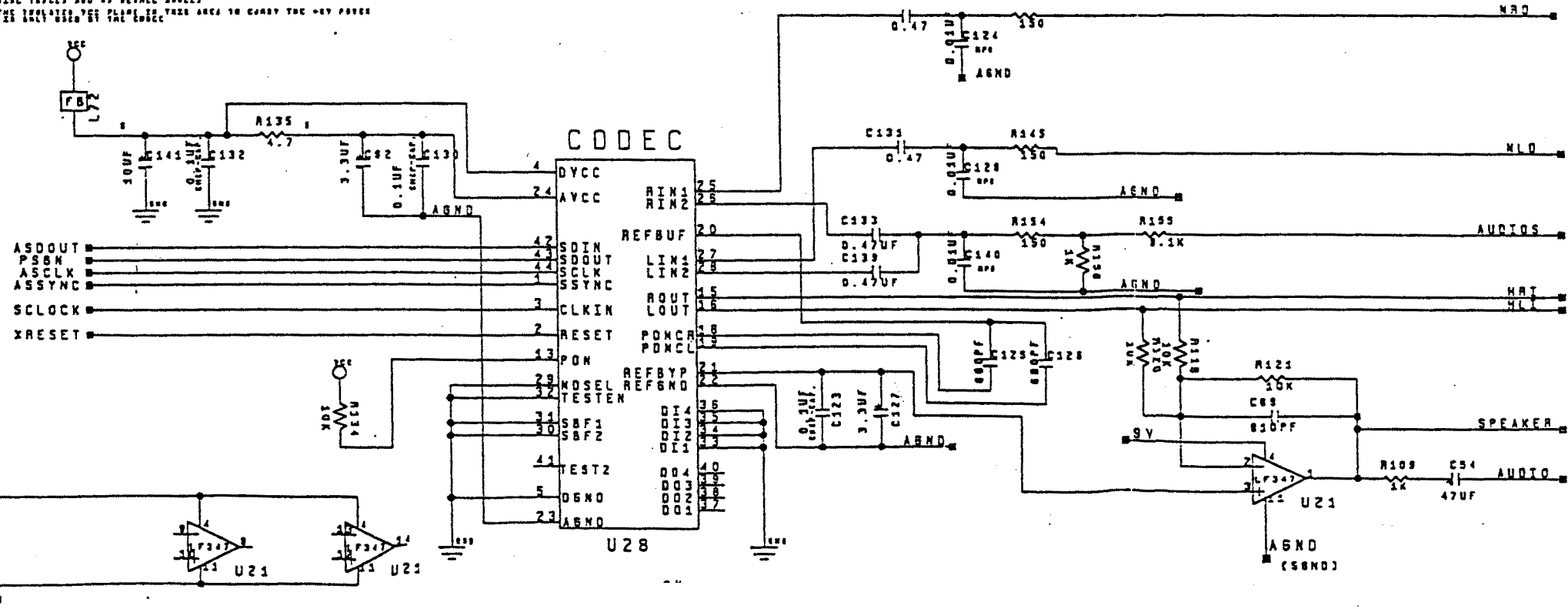
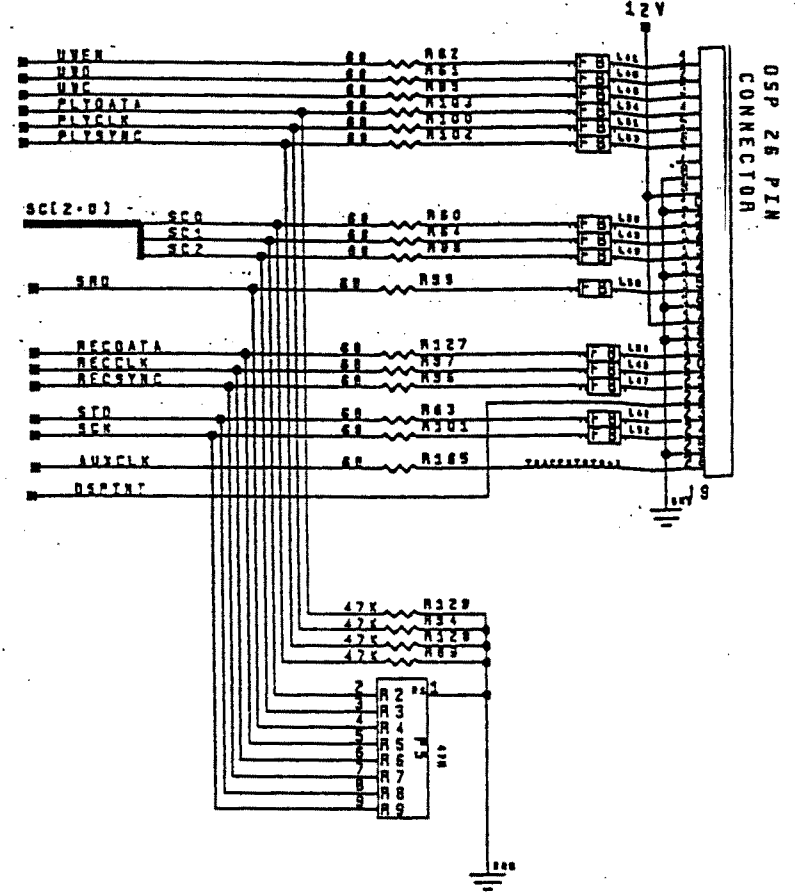
TITLE FALCON030

SIZE CODE NUMBER REV  
 D A

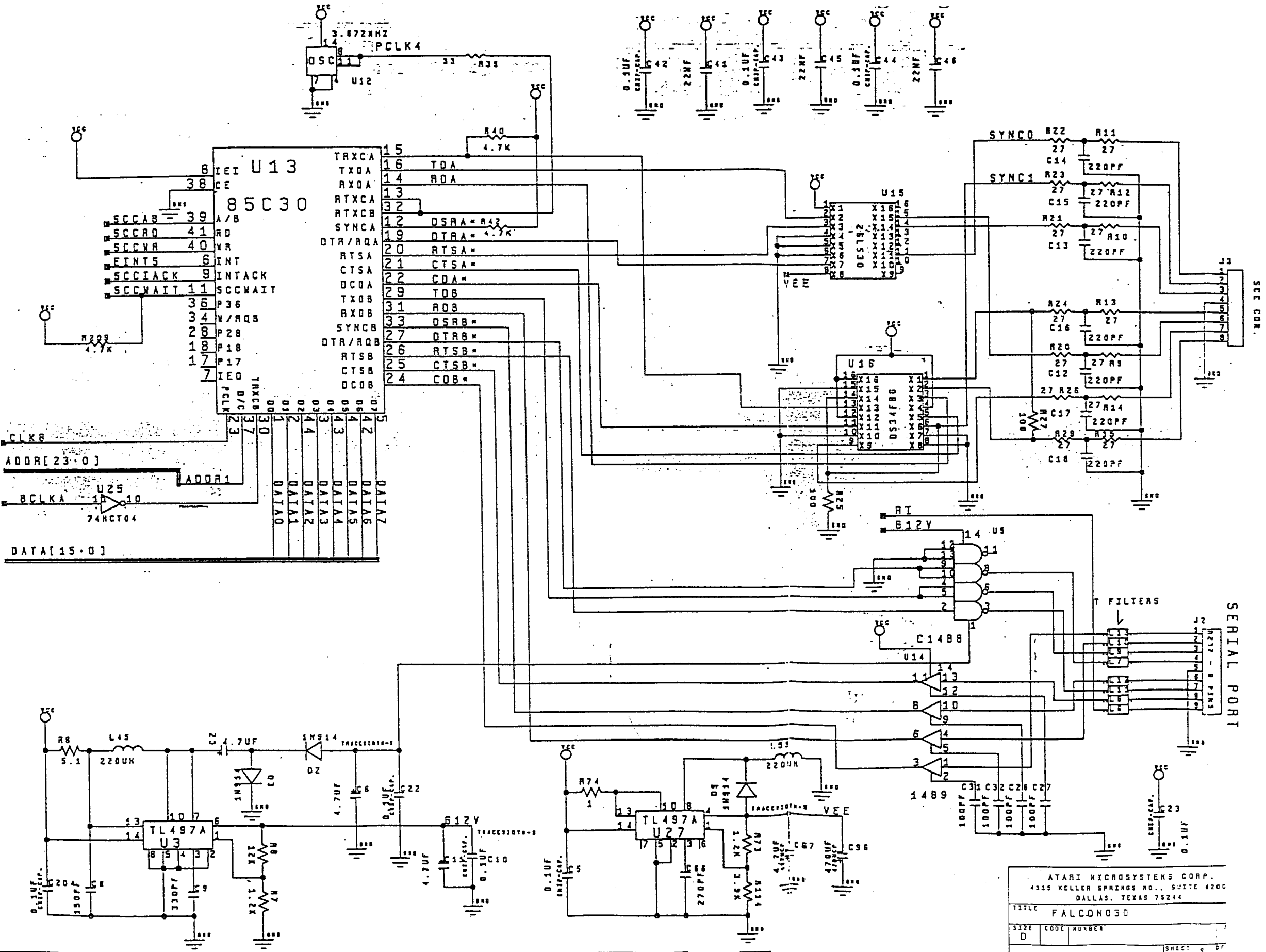
SHEET 8 OF 13



SEE THE BOARD FOR THE LOCATION OF THE COMPONENTS.  
 THE SHOWN TRACKS OF PREFERRED  
 WIDTHS ARE 1/16" AND 1/32". TECH TAPER SIGNALS  
 ARE 1/16" WIDE AND 1/32" HIGH. THE BOARD IS  
 1/16" THICK. THE BOARD IS 1/16" THICK.  
 THE BOARD IS 1/16" THICK. THE BOARD IS  
 1/16" THICK. THE BOARD IS 1/16" THICK.





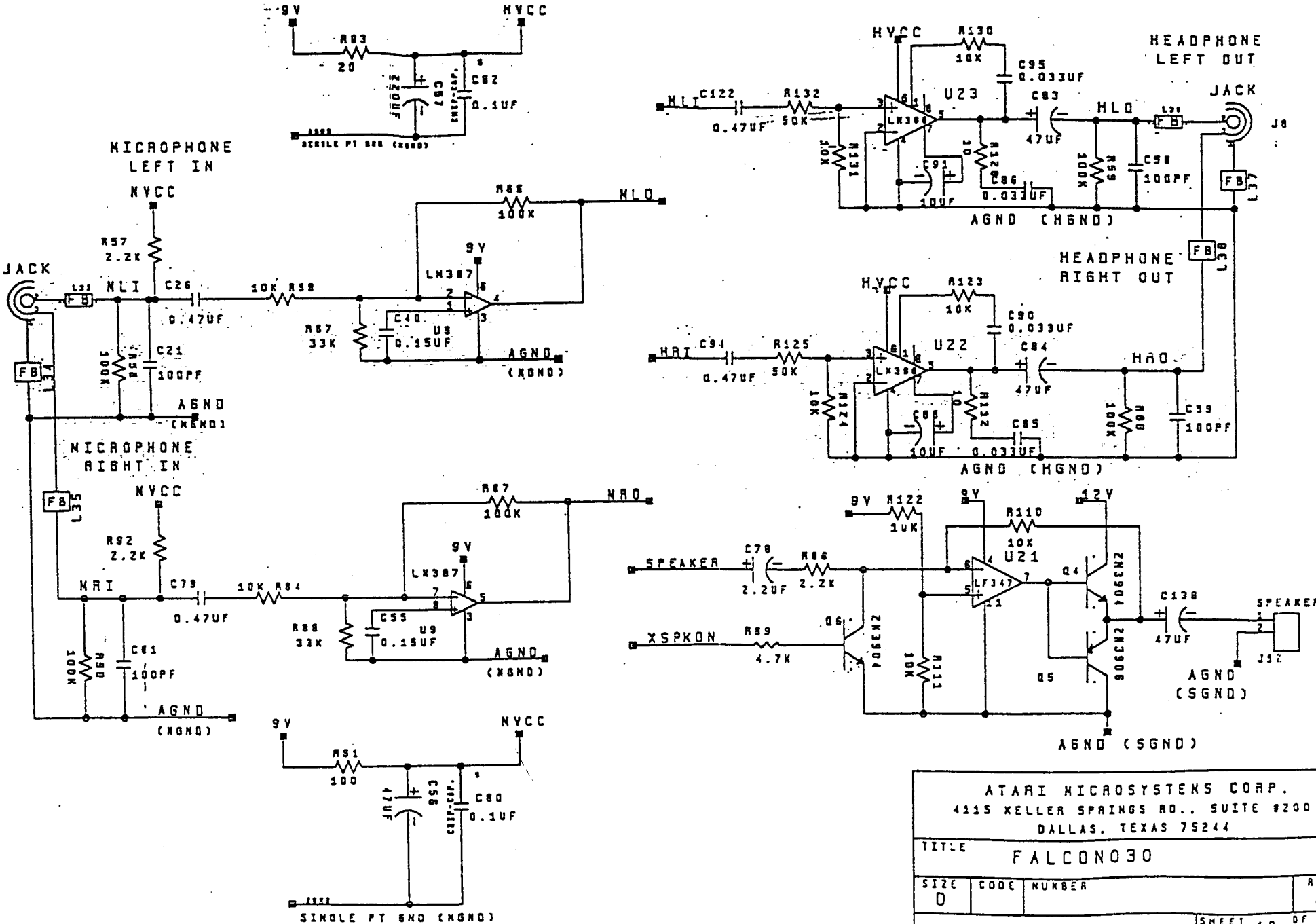


ATARI MICROSYSTEMS CORP.  
 4315 KELLER SPRINGS NO., SUITE #200  
 DALLAS, TEXAS 75244

TITLE: **FALCON030**

SIZE	CODE NUMBER	
D		

SHEET 5 OF 7

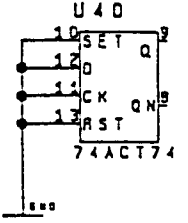
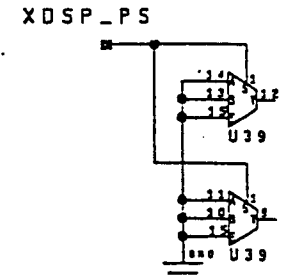
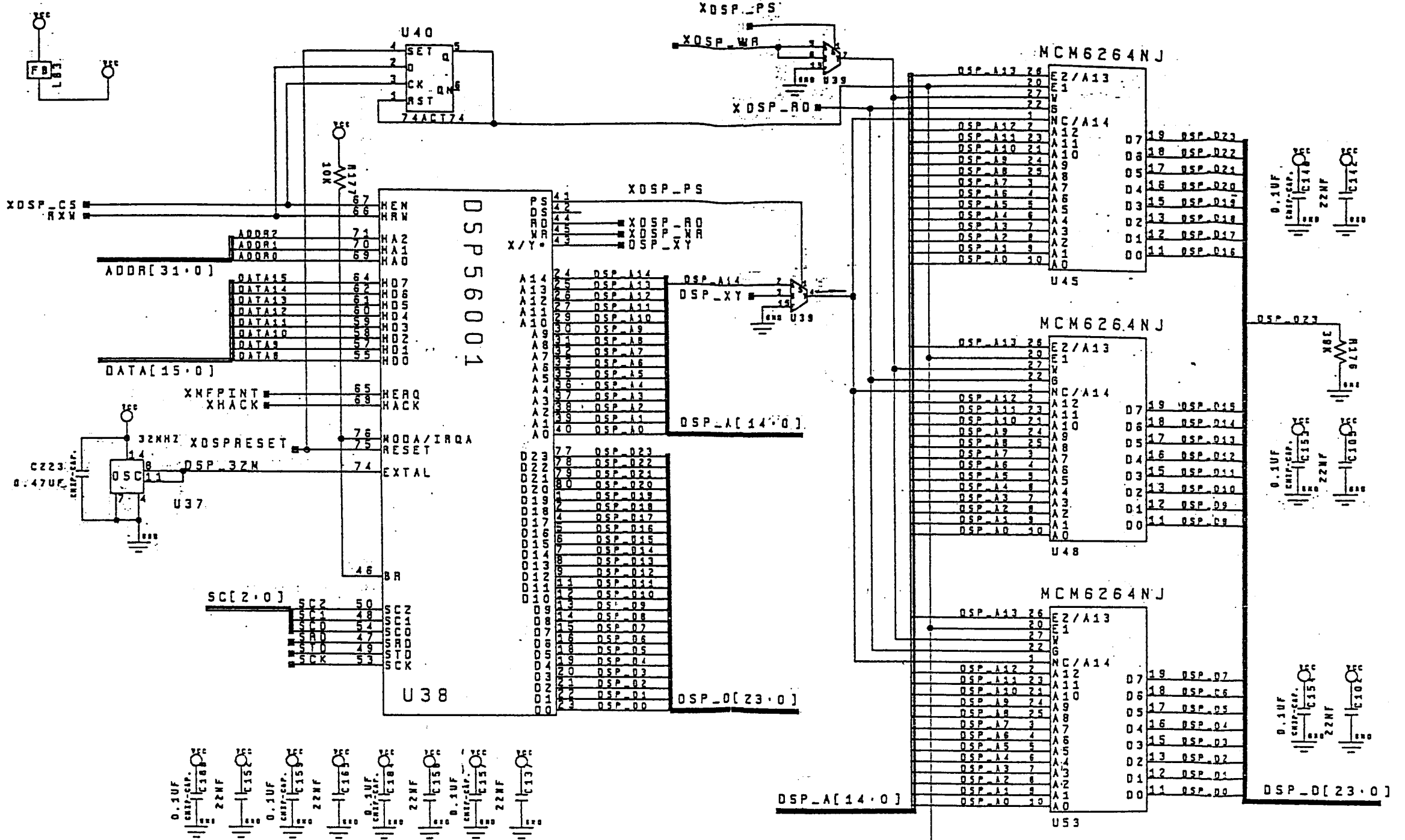


ATARI MICROSYSTEMS CORP.  
 4115 KELLER SPRINGS RD., SUITE #200  
 DALLAS, TEXAS 75244

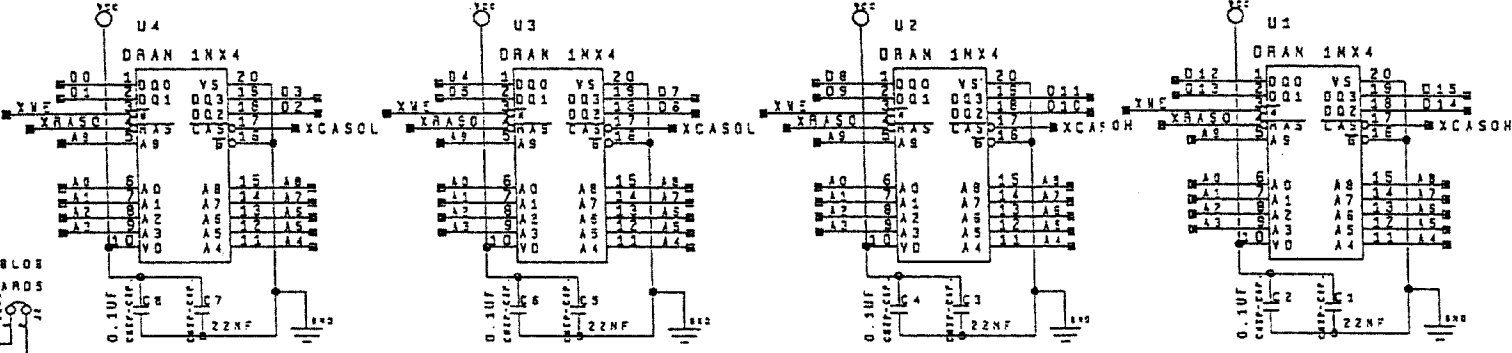
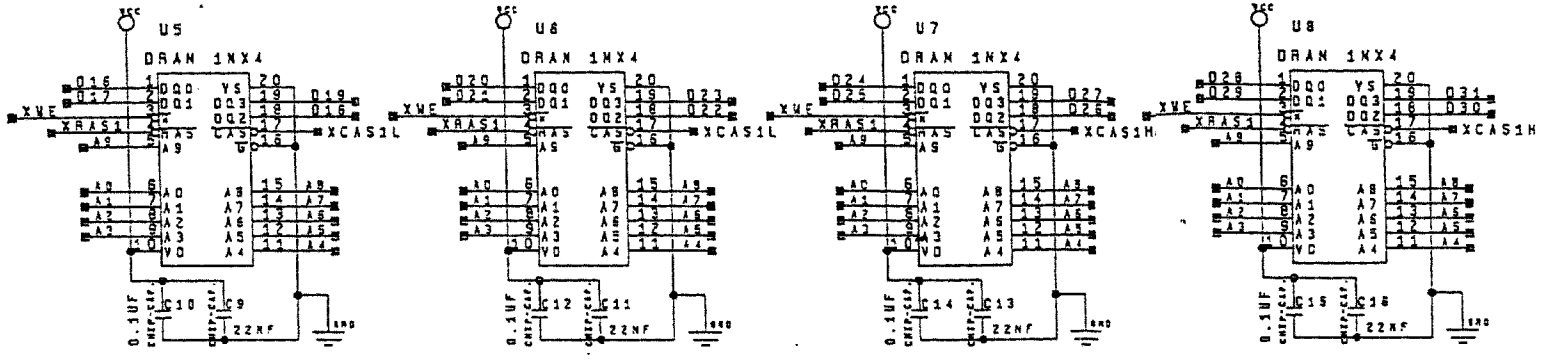
TITLE				FALCON030	
SIZE	CODE	NUMBER		REV	
D				A	
					SHEET 10 OF 10



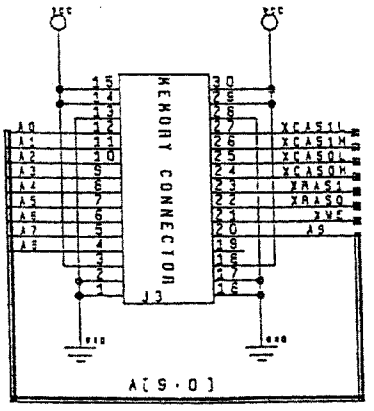
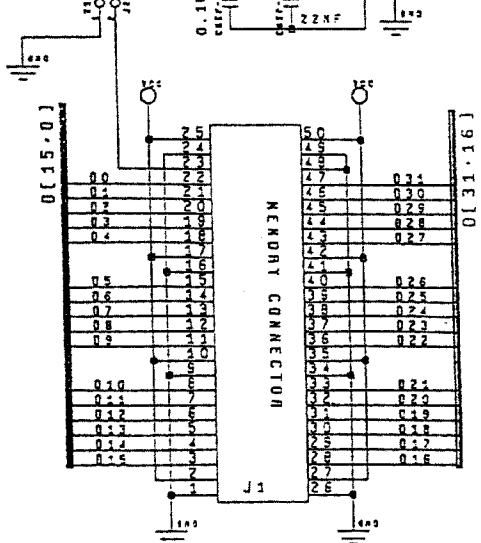




ATARI MICROSYSTEMS CORP.			
4115 KELLER SPRINGS RD., SUITE 1200			
DALLAS, TEXAS 75244			
TITLE			
FALCON030			
SIZE	CODE	NUMBER	
D			
SHEET 13 OF			



ADD SOLDER BLOB FOR 1MEG BOARDS

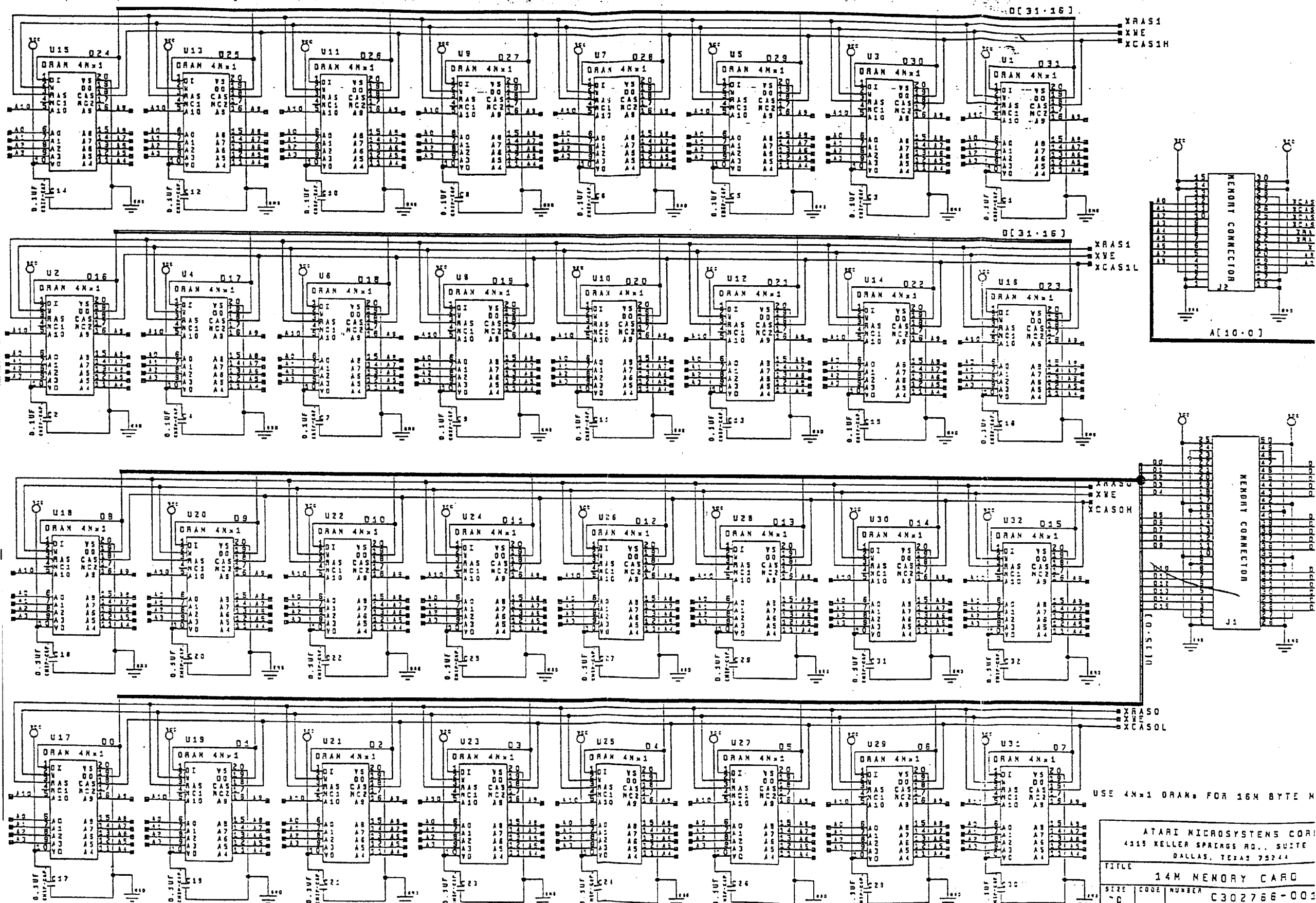


USE 1MX4 DRAMs FOR 4M BYTE MEMORY, 32 BIT WIDE  
 USE 256Kx4 DRAMs FOR 1M BYTE MEMORY, 32 BIT WIDE  
 REMOVE U5,U6,U7,U8; USE 256Kx4 DRAMs  
 FOR 512K (16 BIT WIDE) MEMORY  
 (Default is 4M Bytes, 32 bit wide)

REV	REVISIONS DESCRIPTION	DATE	APPD
2	PRELIMINARY RELEASE	6-26-92	J.S

CA4C1292	1/4MB DRAM PCB
NEXT ASSEMBLY	USED ON
APPLICATION	ORIGINAL MODEL

DRAWN BY	TRH	DATE	6/8/92	ATARI MICROSYSTEMS CO 4115 KELLER SPRINGS RD., SUIT DALLAS, TEXAS 75244	
CHECKED	S. BARROWS	DATE	6-24-92		
ENGINEER	J. SMITH	DATE	6-25-92	TITLE	1M/4M MEMORY C/
APPROVED		DATE		SIZE	D
APPROVED		DATE		CODE	
				NUMBER	C302762-01
					SHEET



USE 4N x 1 DRAMs FOR 16M BYTE M

ATARI MICROSYSTEMS CORP.			
4115 KELLER SPRINGS RD., SUITE			
DALLAS, TEXAS 75244			
TITLE			
14M MEMORY CARD			
SIZE	CODE	NUMBER	
0		C302766-001	
SHEET 2			