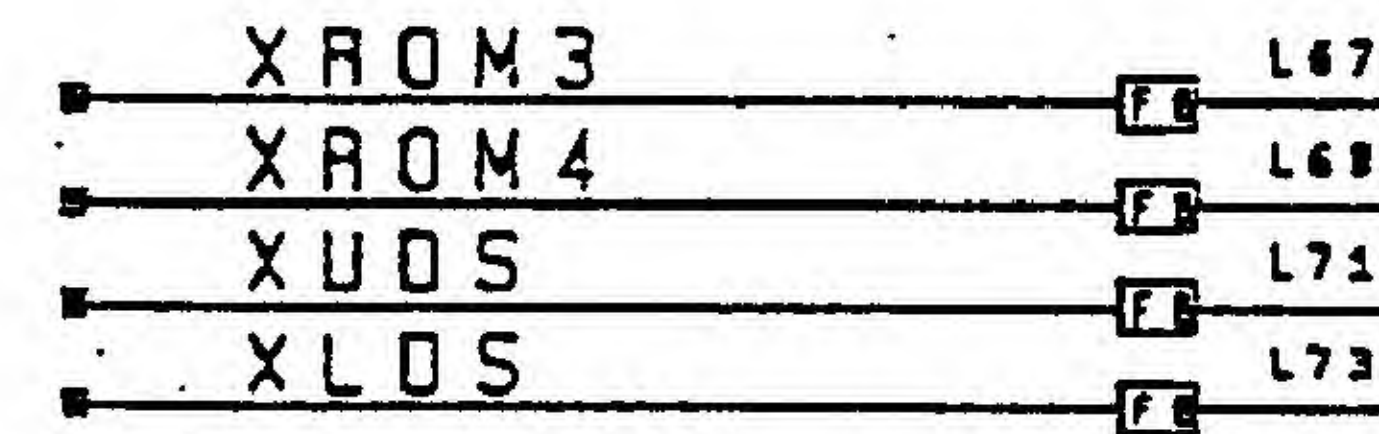
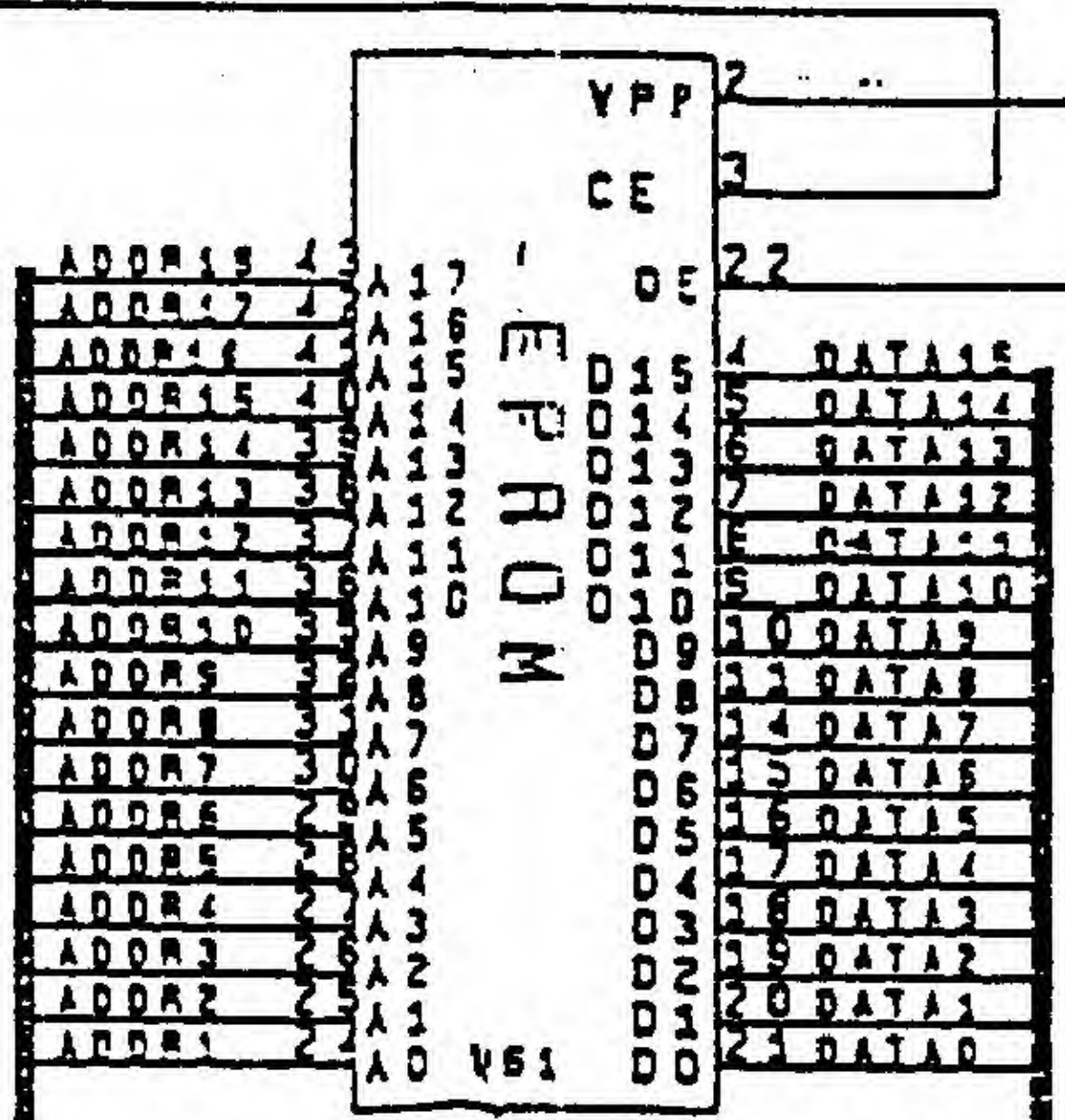
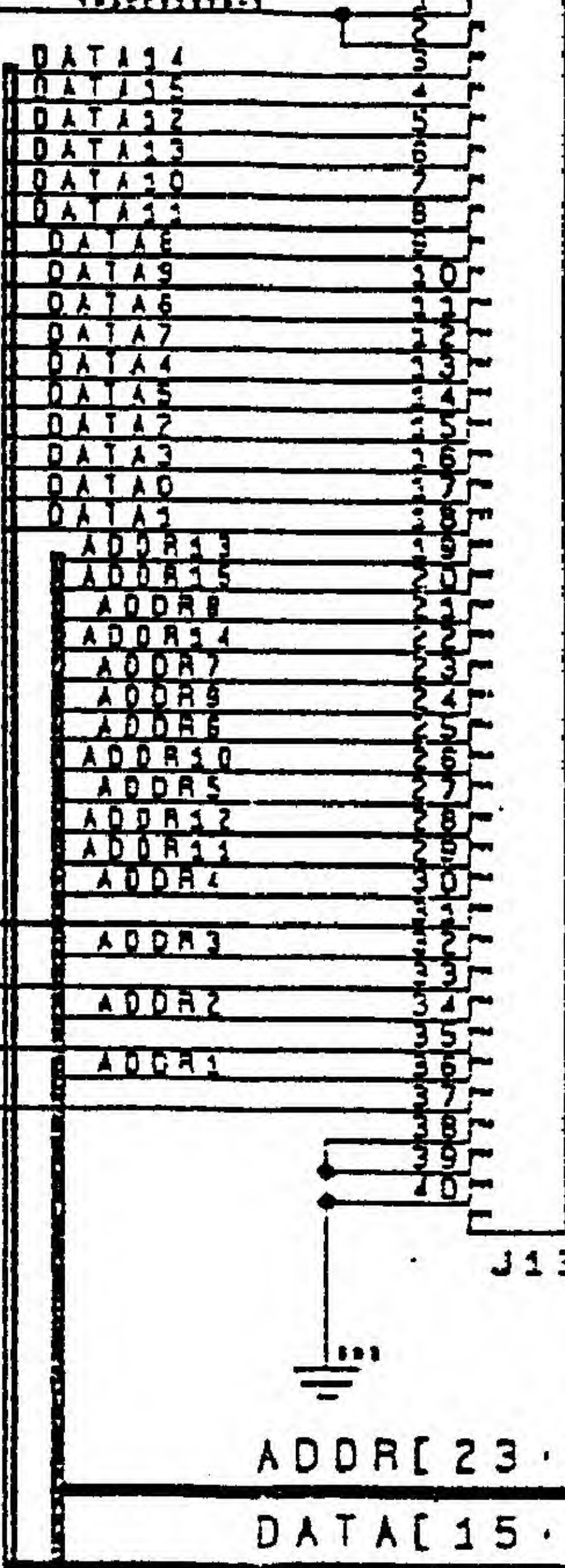


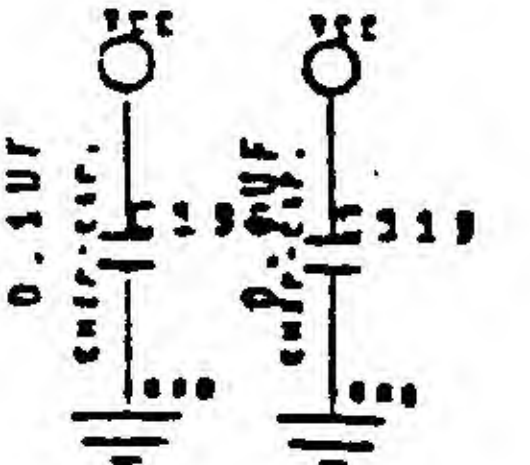
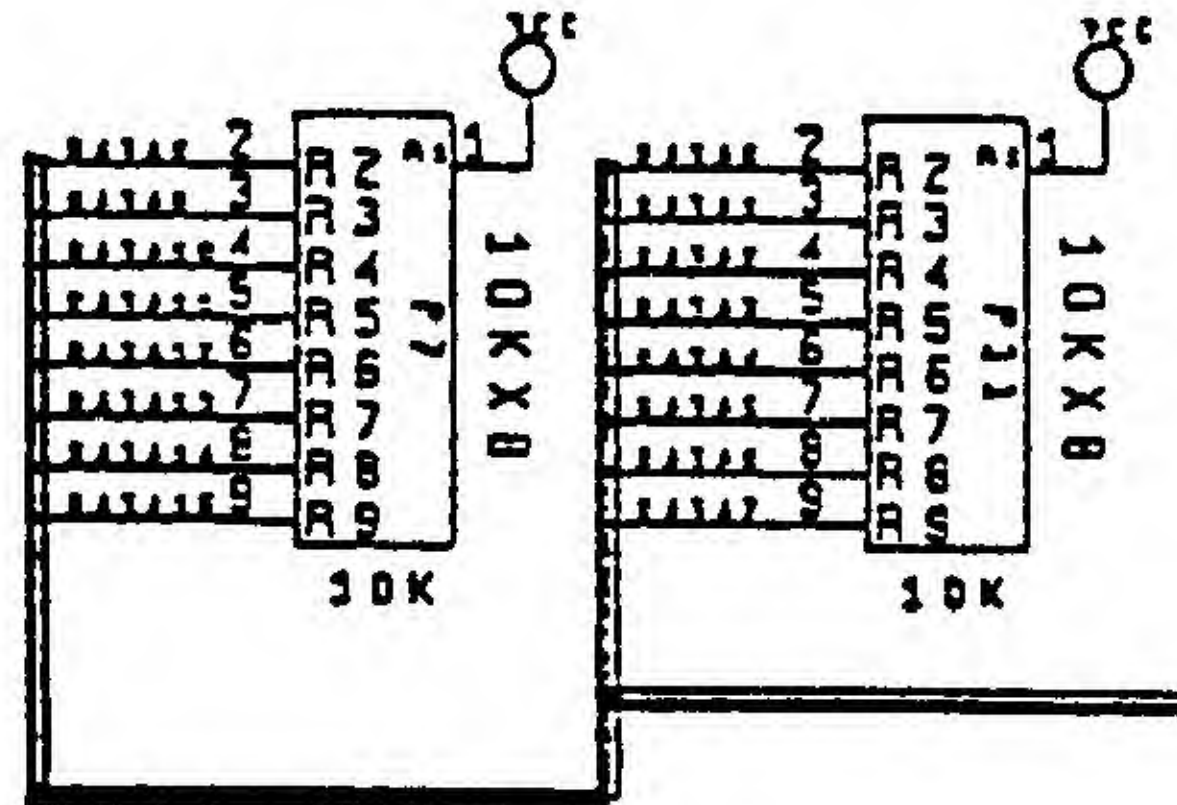
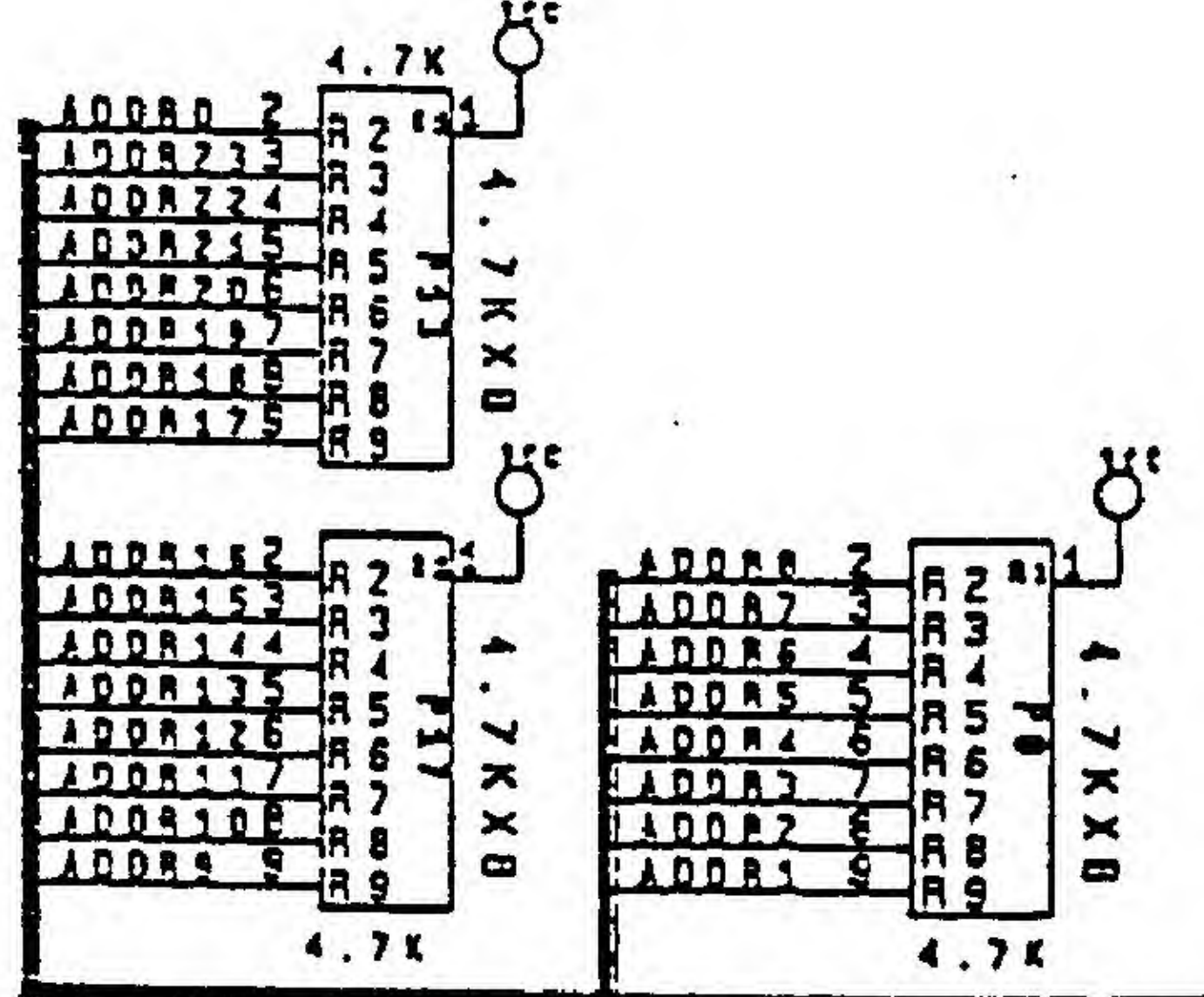
DRAWN BY TRH	DATE 5-28-1982	ATARI MICROSYSTEMS CORP. 4515 KELLER SPRINGS RD., SUITE #200 DALLAS, TEXAS 75244
CHECKED	DATE	TITLE FALCON 030
ENGINEER	DATE	SIZ D
APPROVED	DATE	EDD NUMBER
REVISIONS DESCRIPTION	DATE	APPROVED
REVISIONS DESCRIPTION	DATE	APPROVED

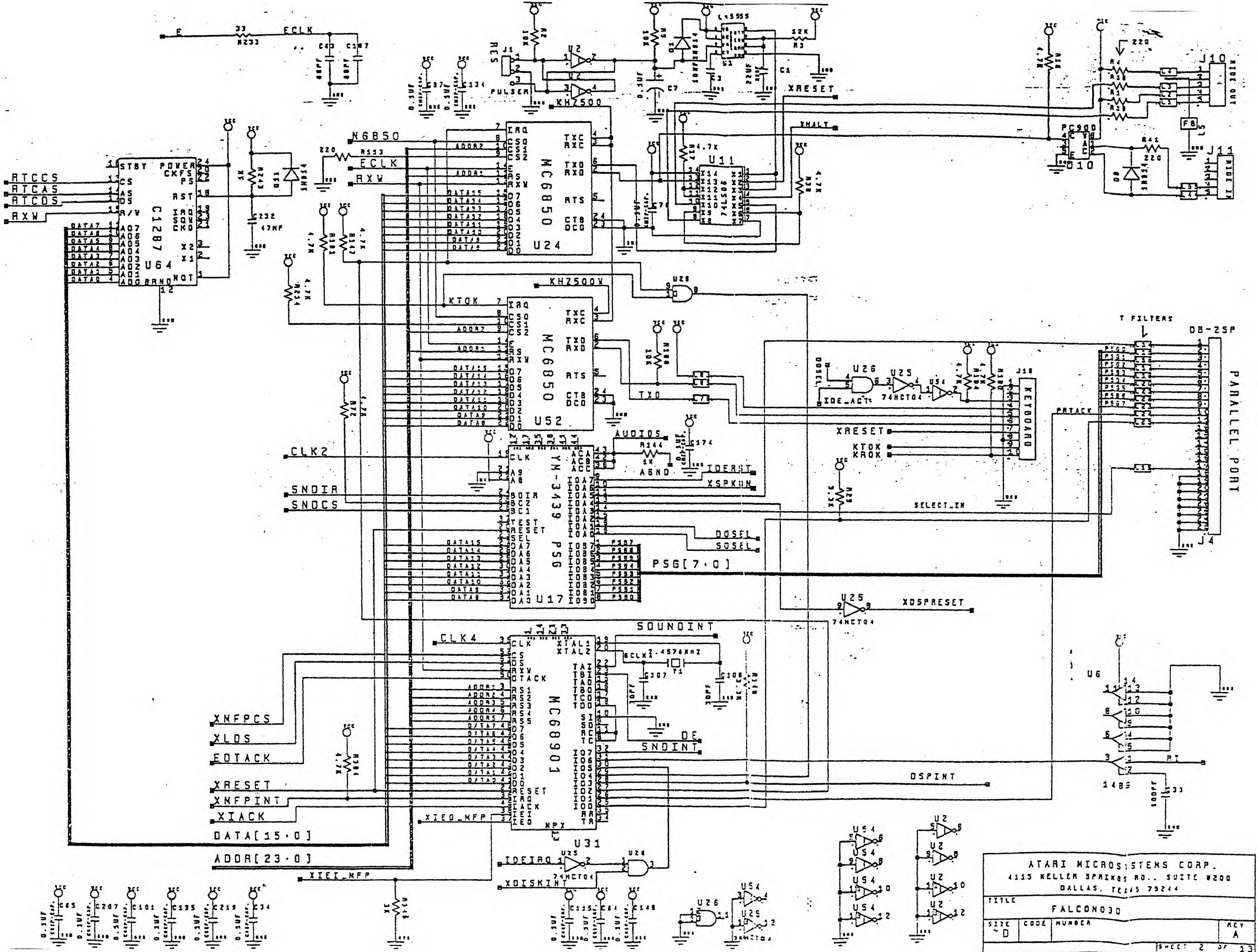
REVISIONS DESCRIPTION	DATE	APPROVED

40PCART



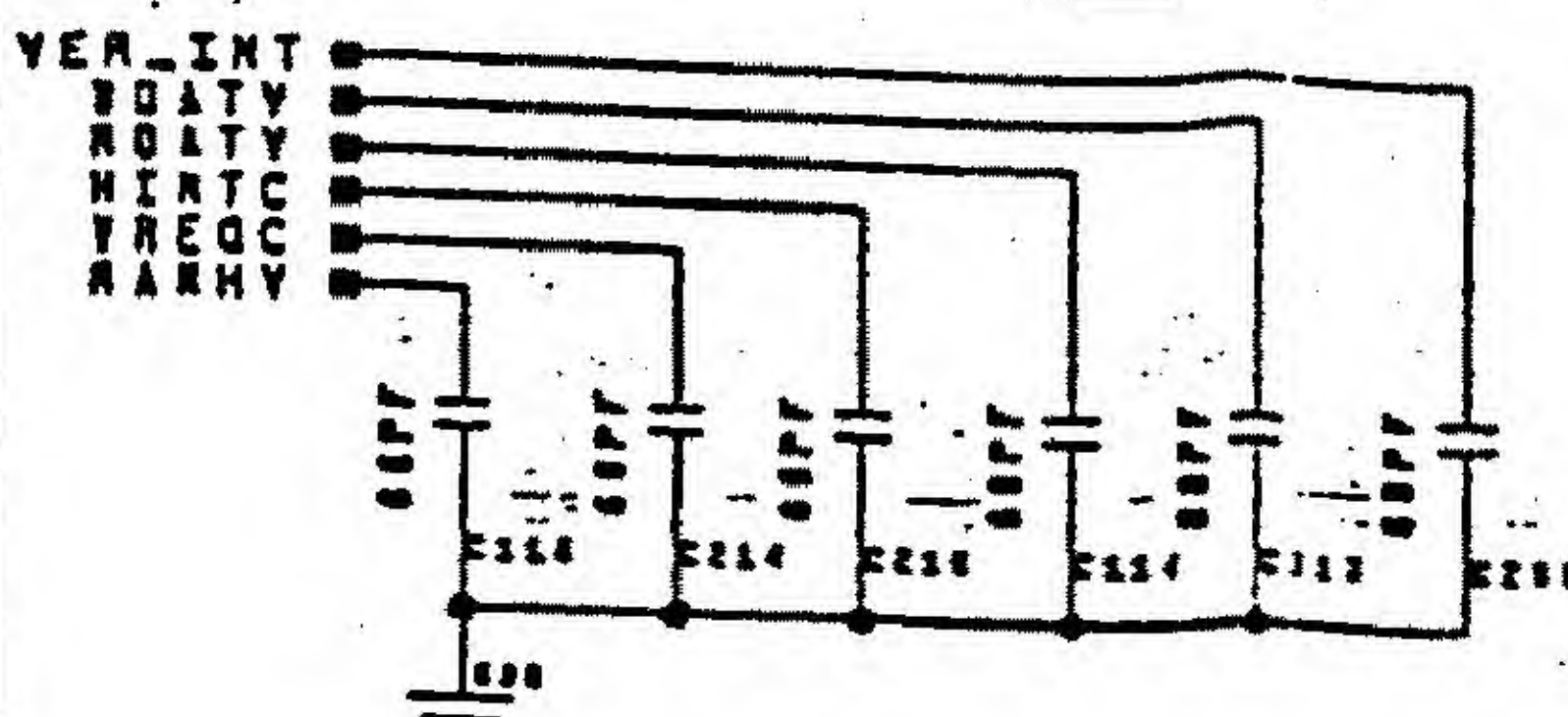
XROM2



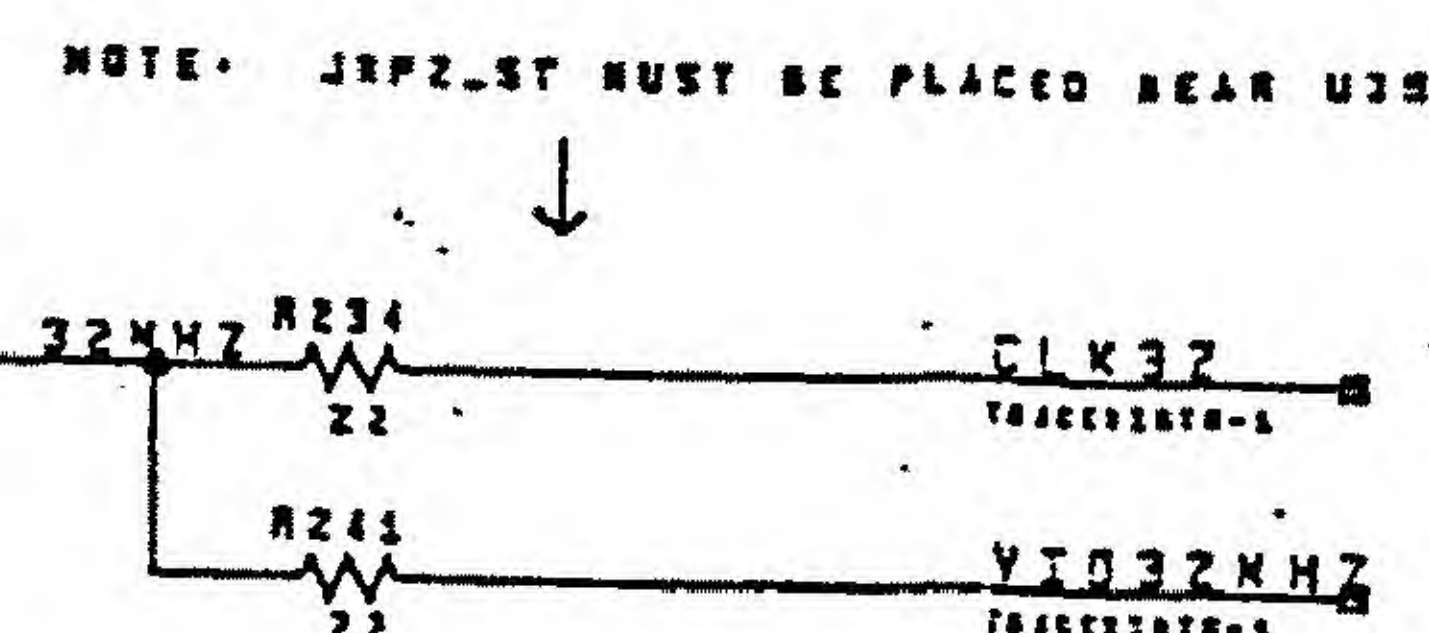


ATARI MICROSYSTEMS CORP.			
4115 KELLER SPRINGS RD., SUITE #200			
DALLAS, TEXAS 75244			
TITLE		FALCON030	
SIZE	CODE	NUMBER	REV
D			A
			15 OCT 2 OF 13

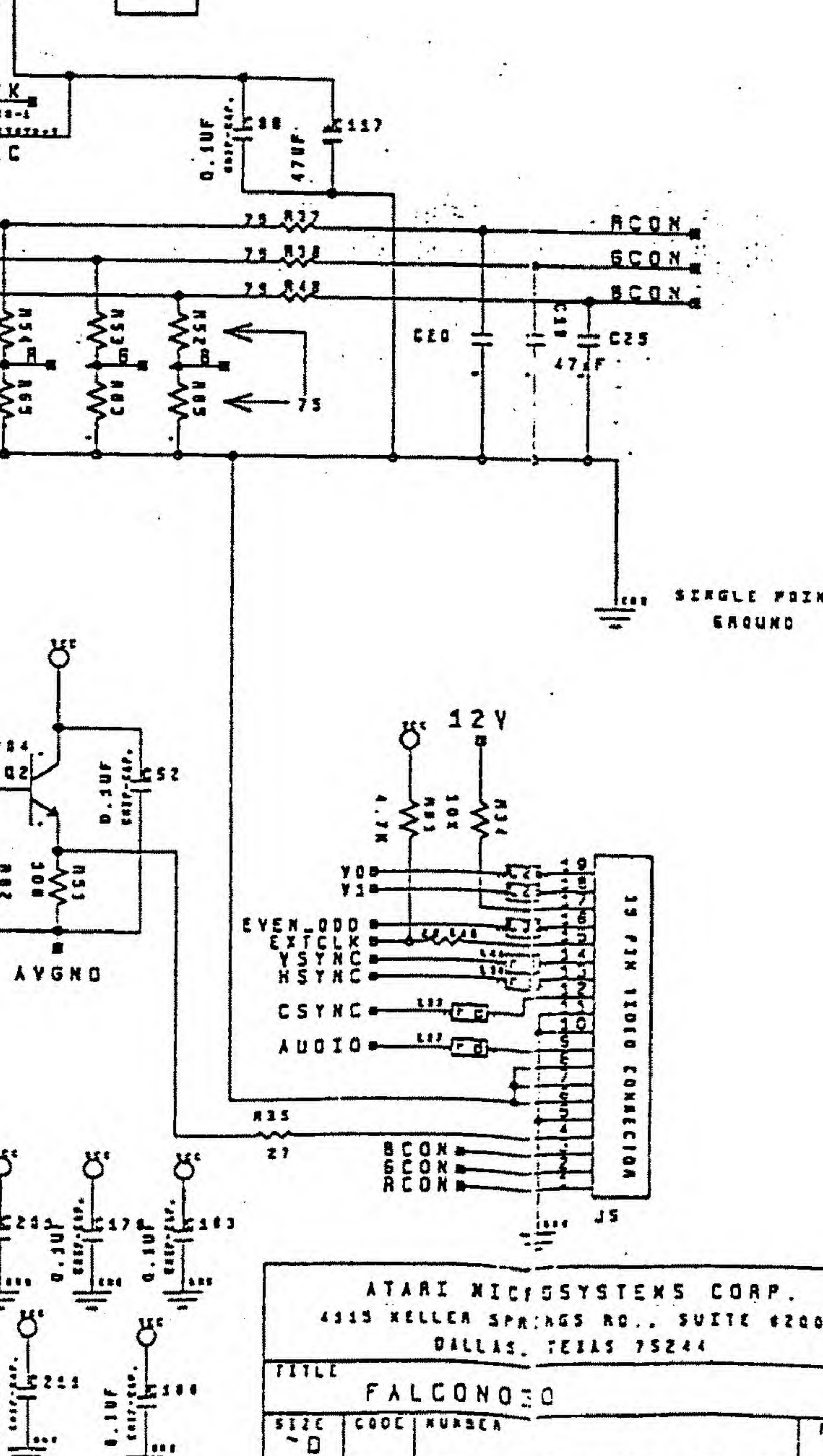
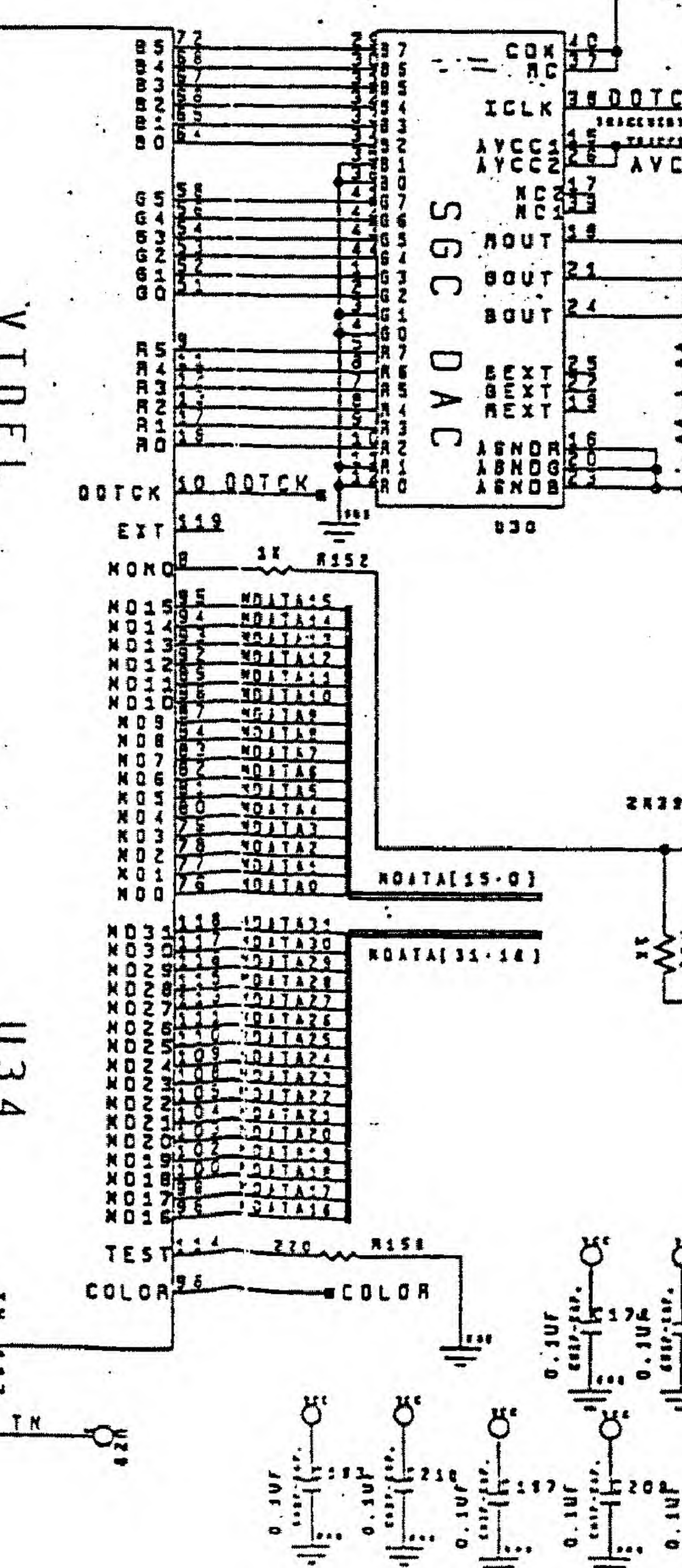
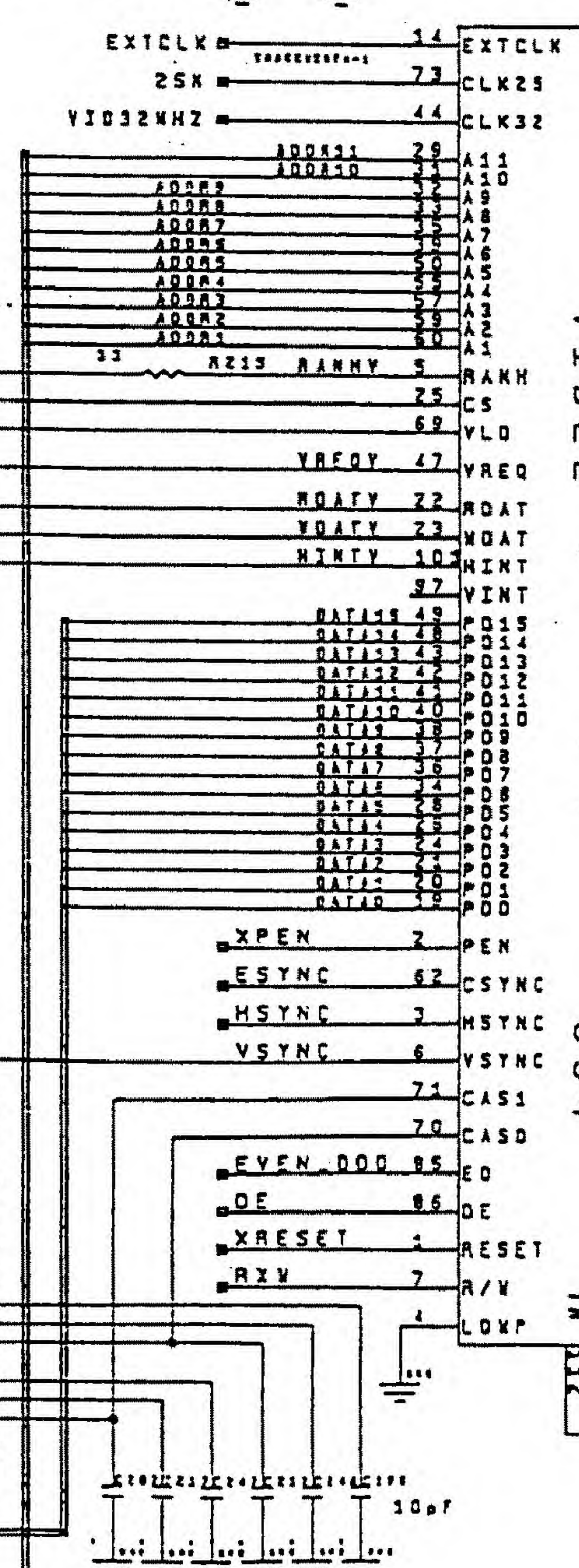
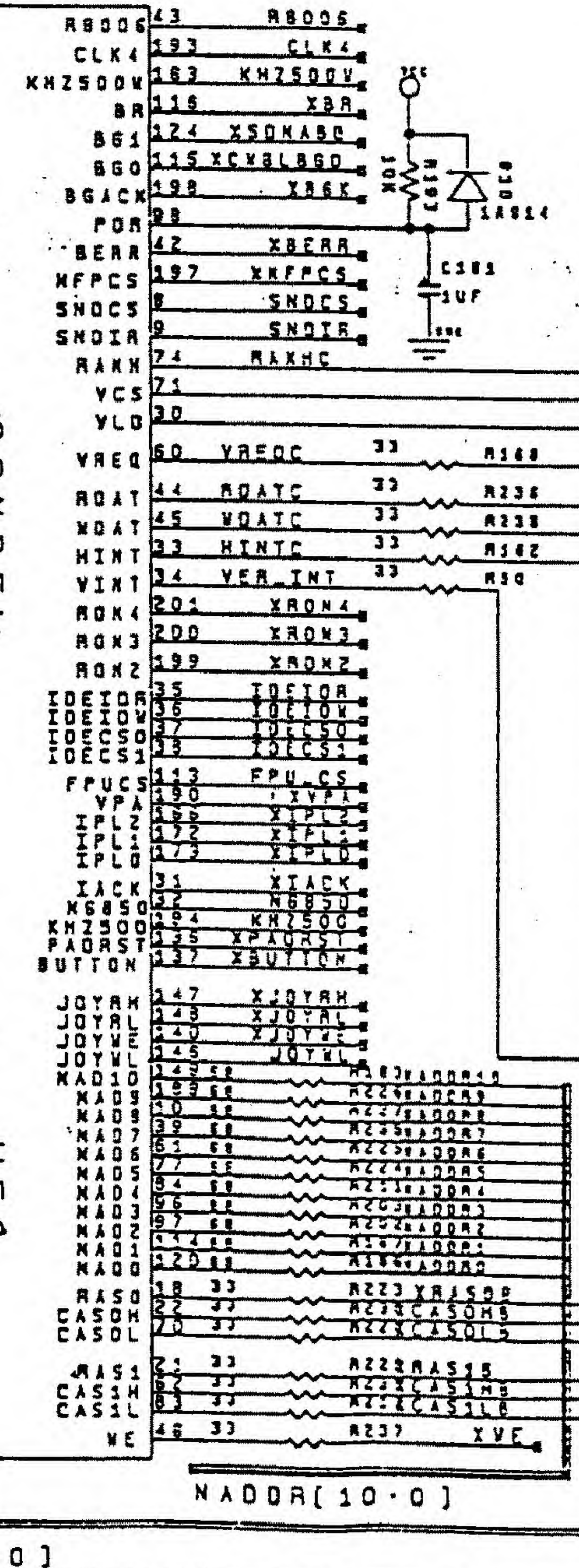
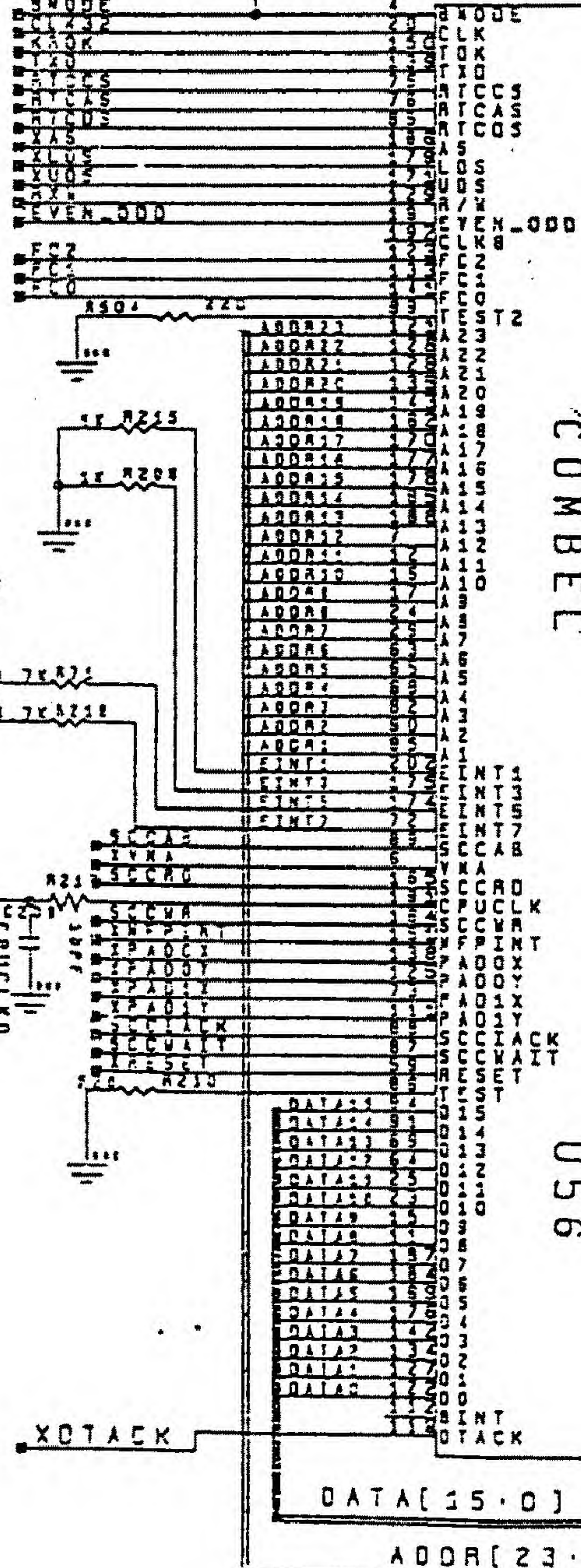
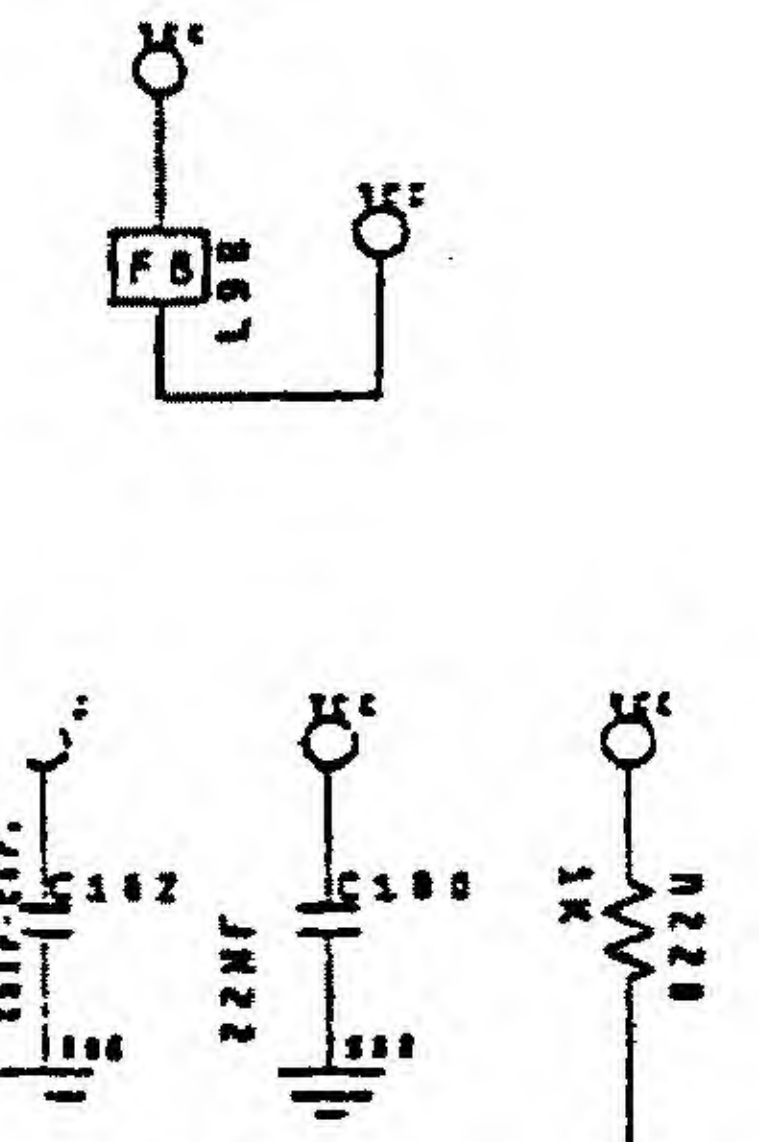
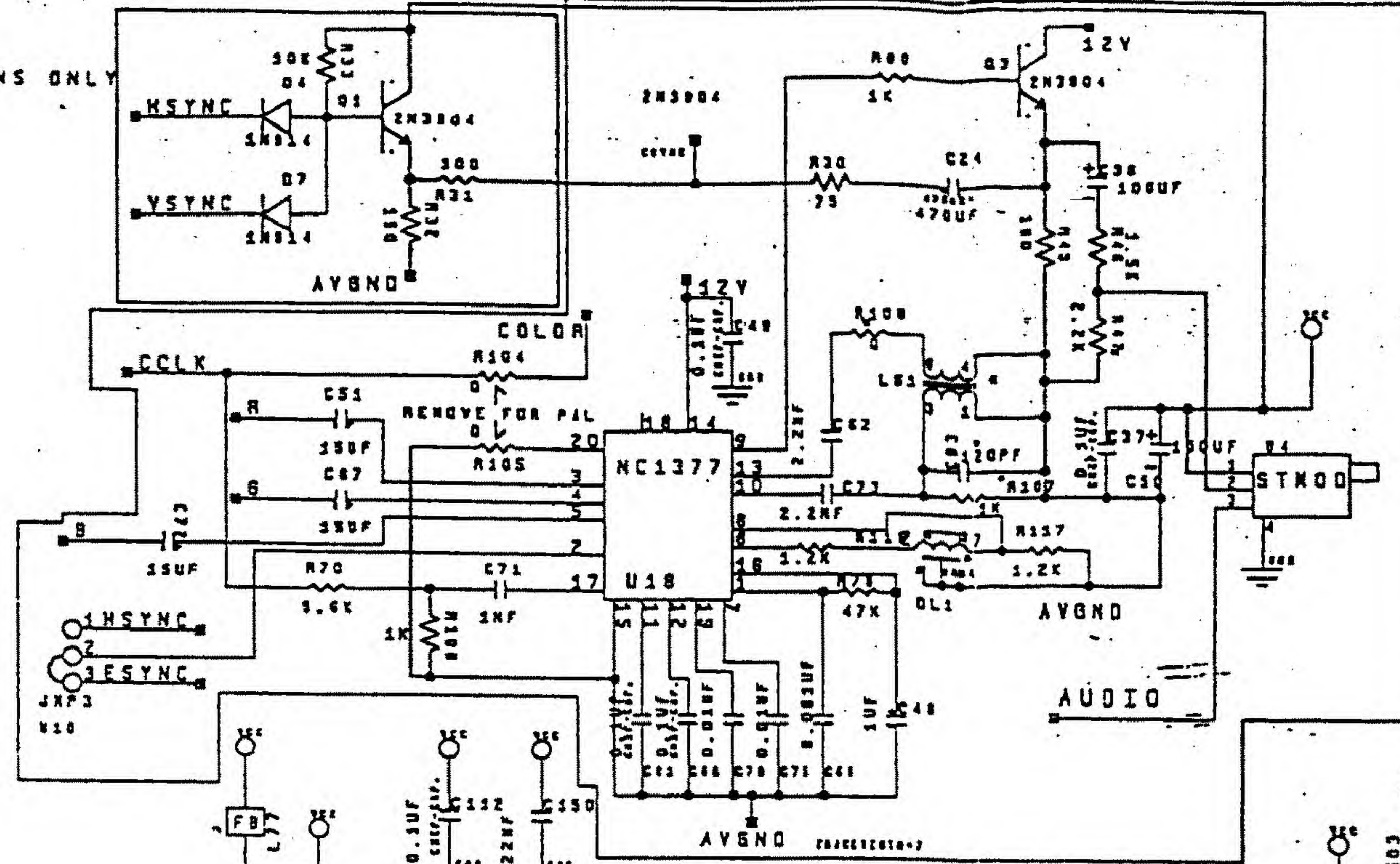
FOR NON MODULATOR SYSTEMS ONLY

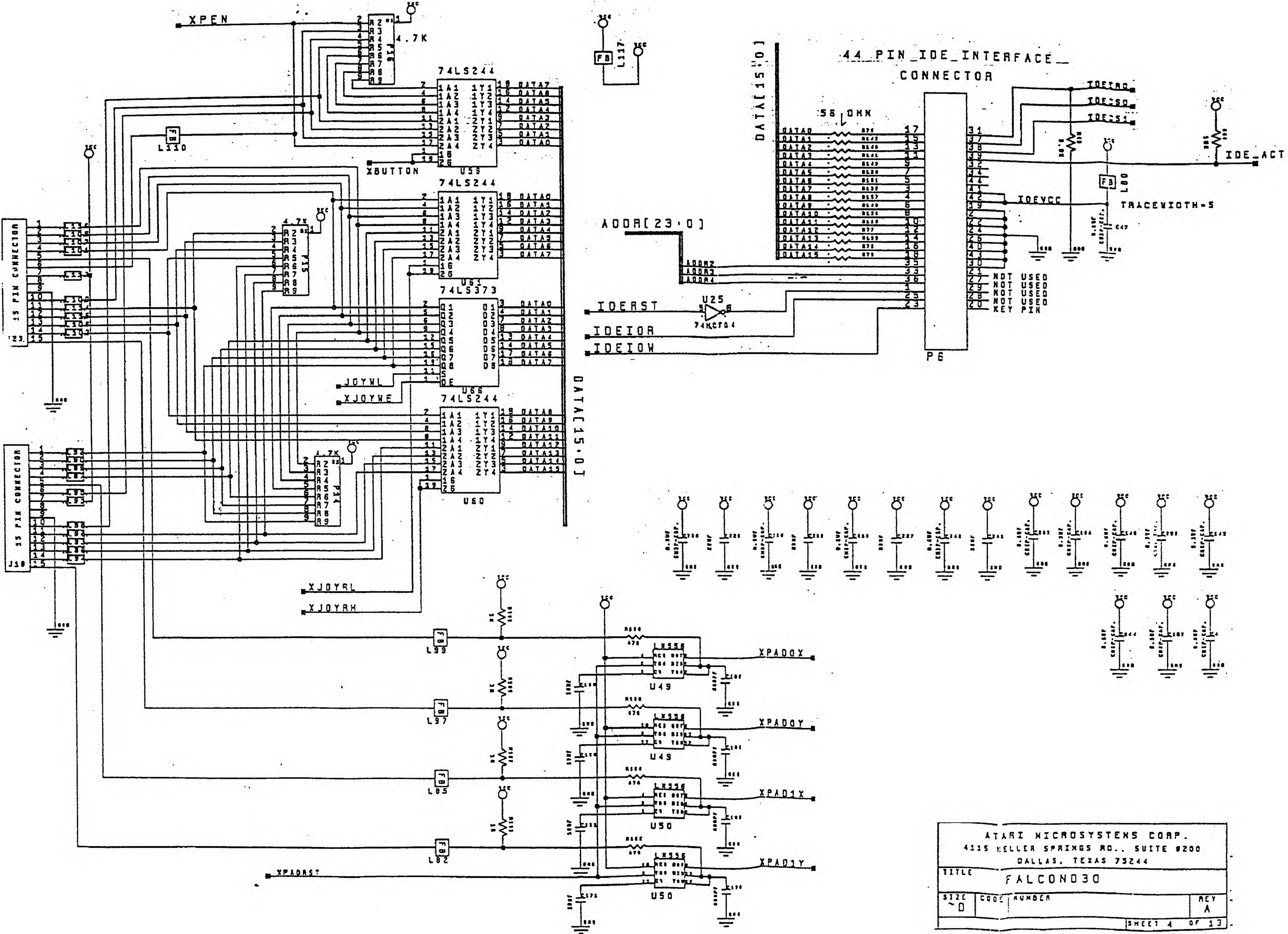


REQUIRES VALUE CHANGE FOR PAL
FOR MODULATOR SYSTEMS ONLY



SINGLE POINT GROUND





ATARI MICROSYSTEMS CORP.
 4315 MELLER SPRINGS RD., SUITE #200
 DALLAS, TEXAS 75244

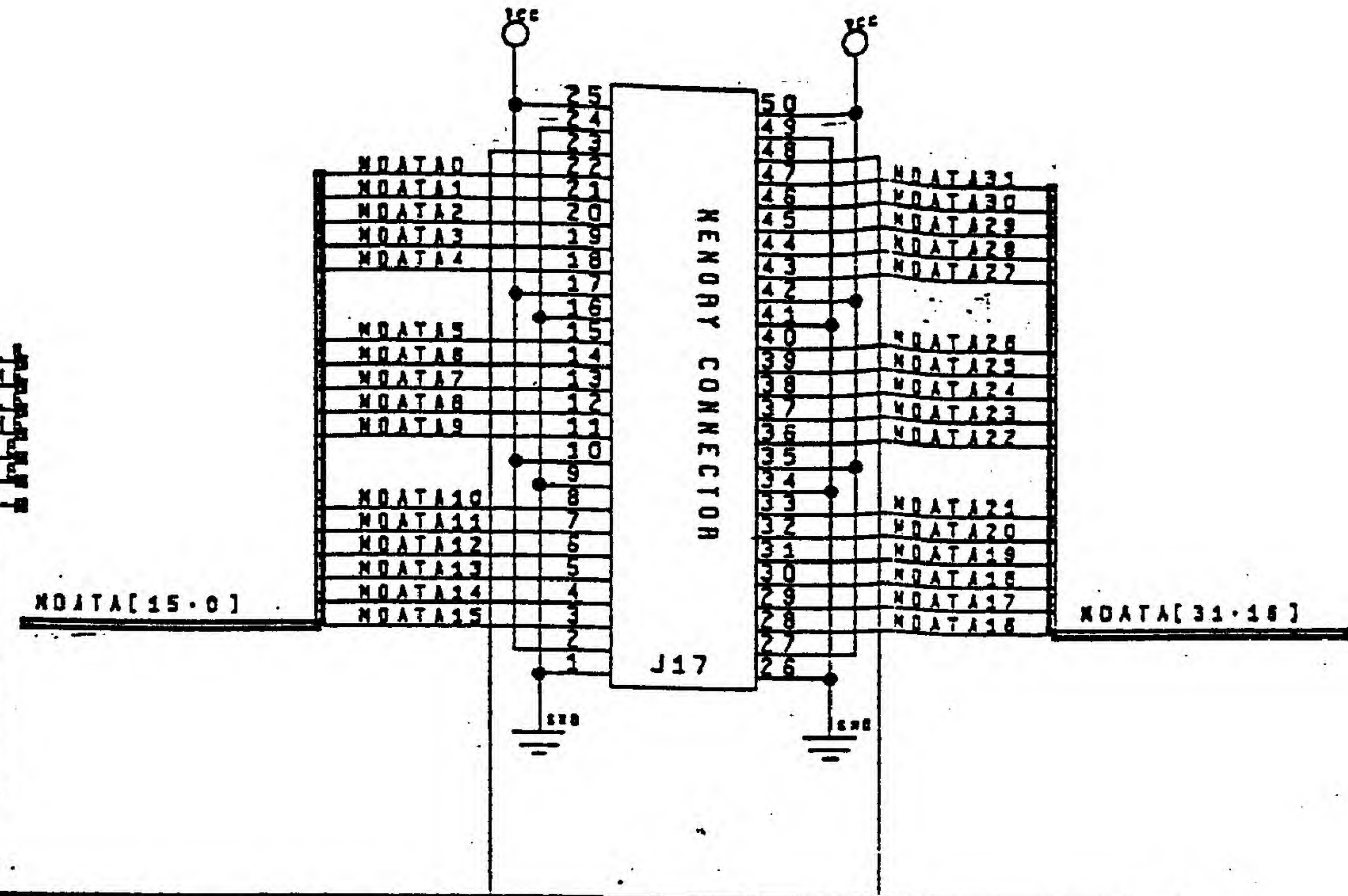
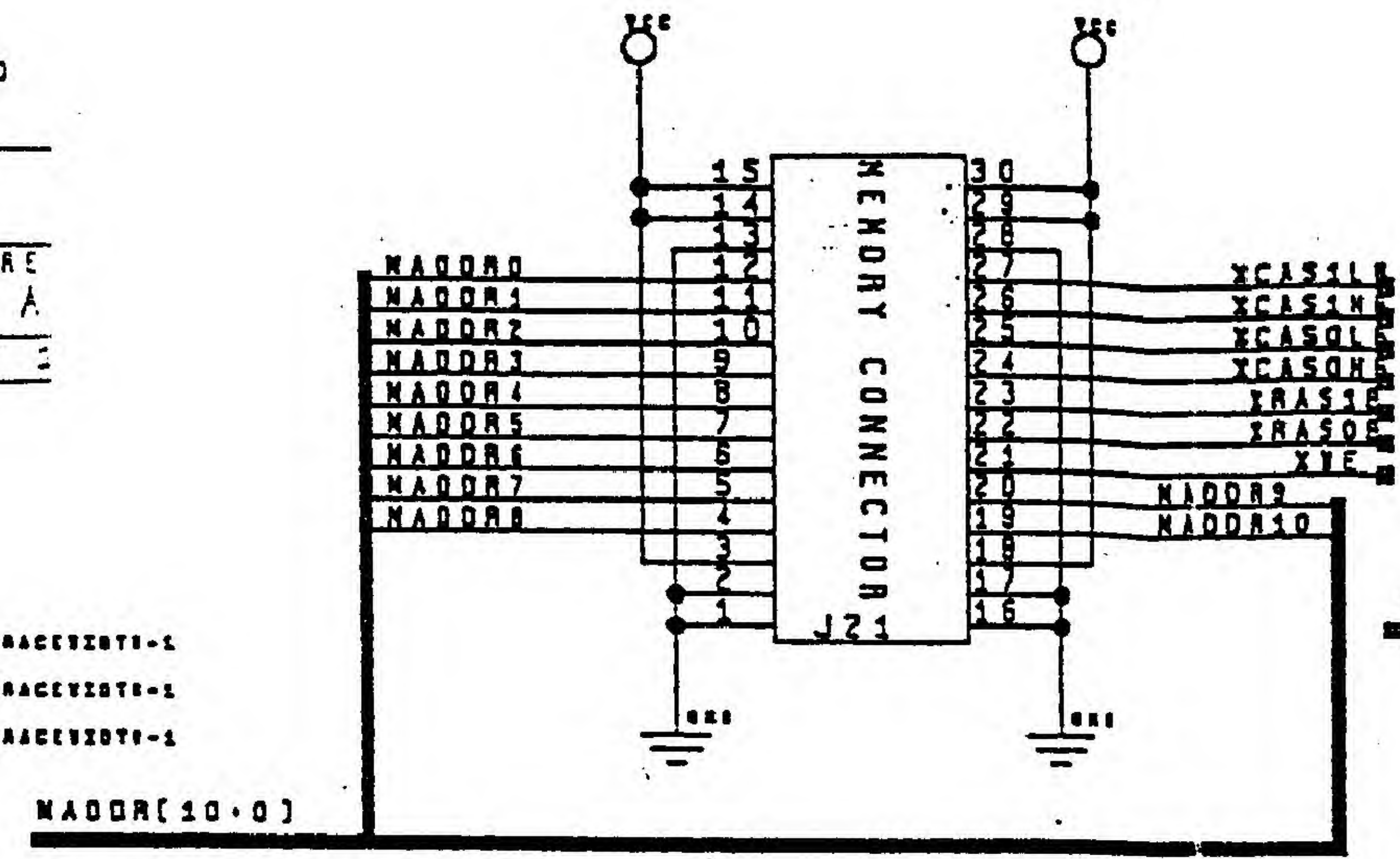
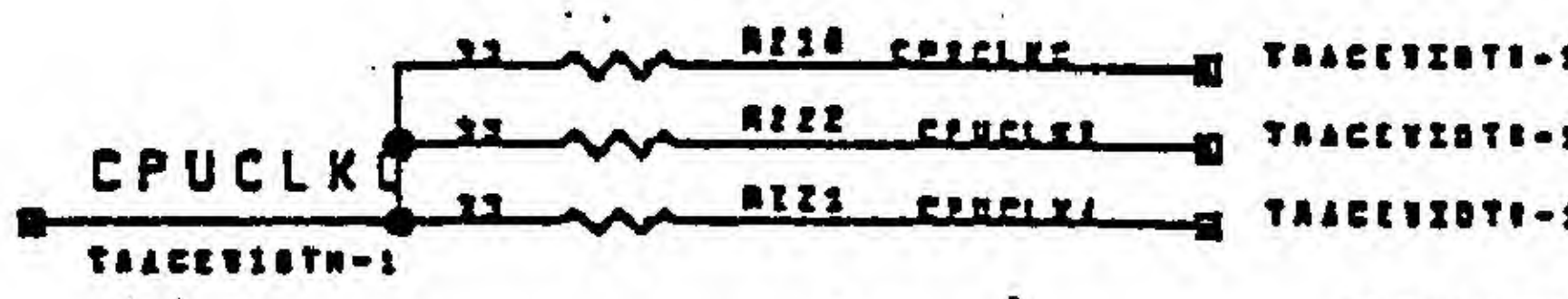
TITLE: FALCON030

SIZE	CODE	NUMBER	REV
0			A

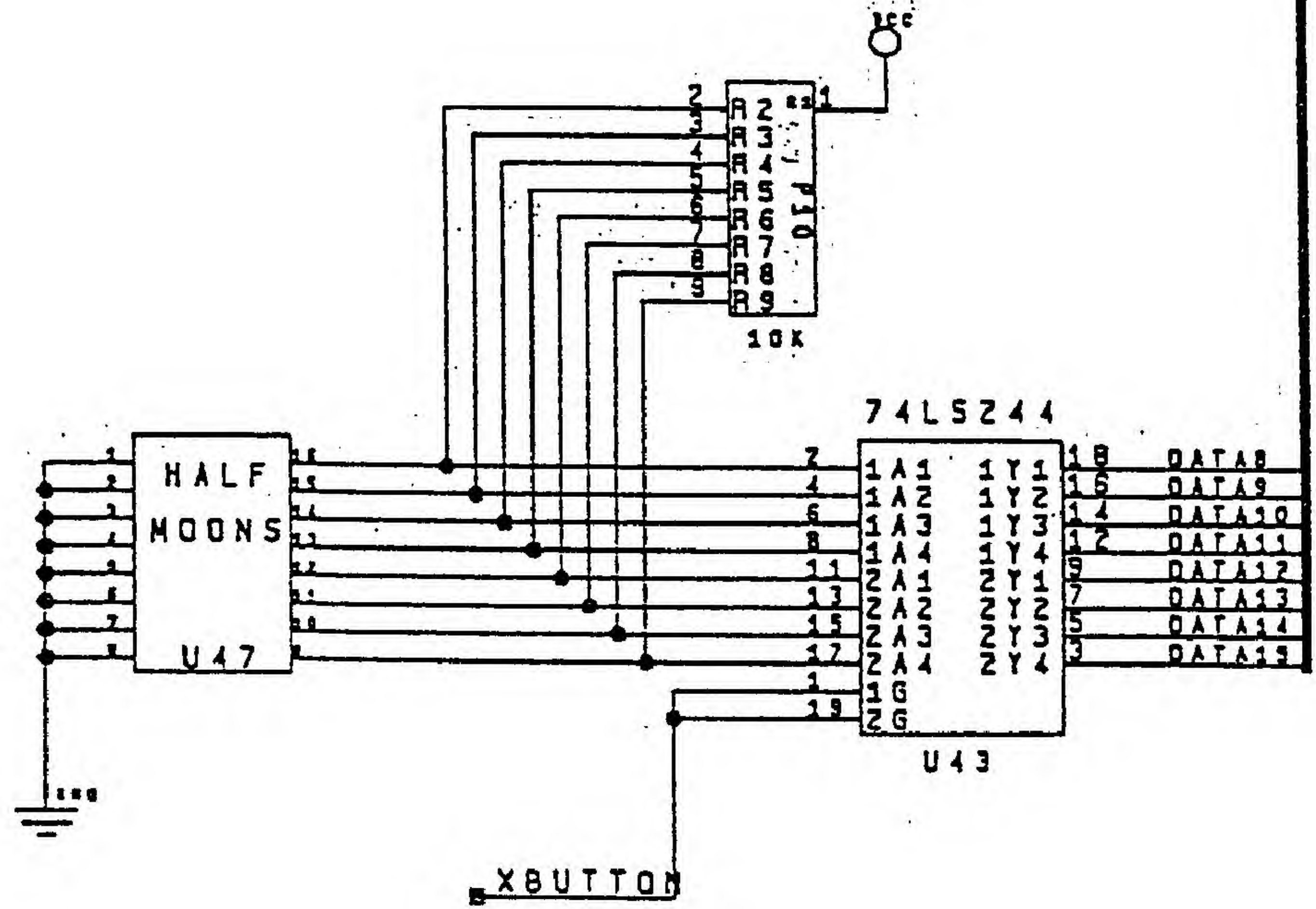
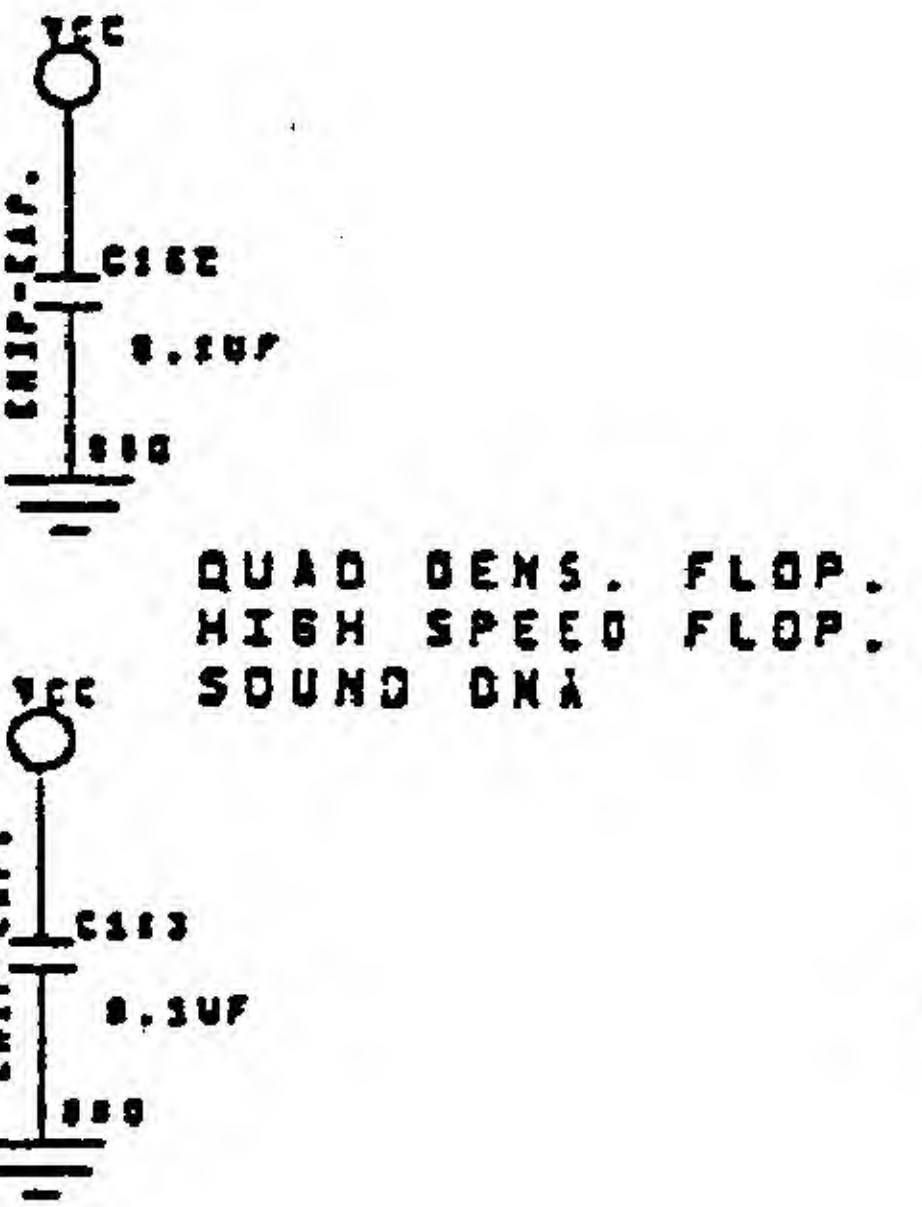
SHEET 4 OF 13

ATARI MICROSYSTEMS CORP.
 4115 KELLER SPRINGS RD., SUITE #200
 DALLAS, TEXAS 75244

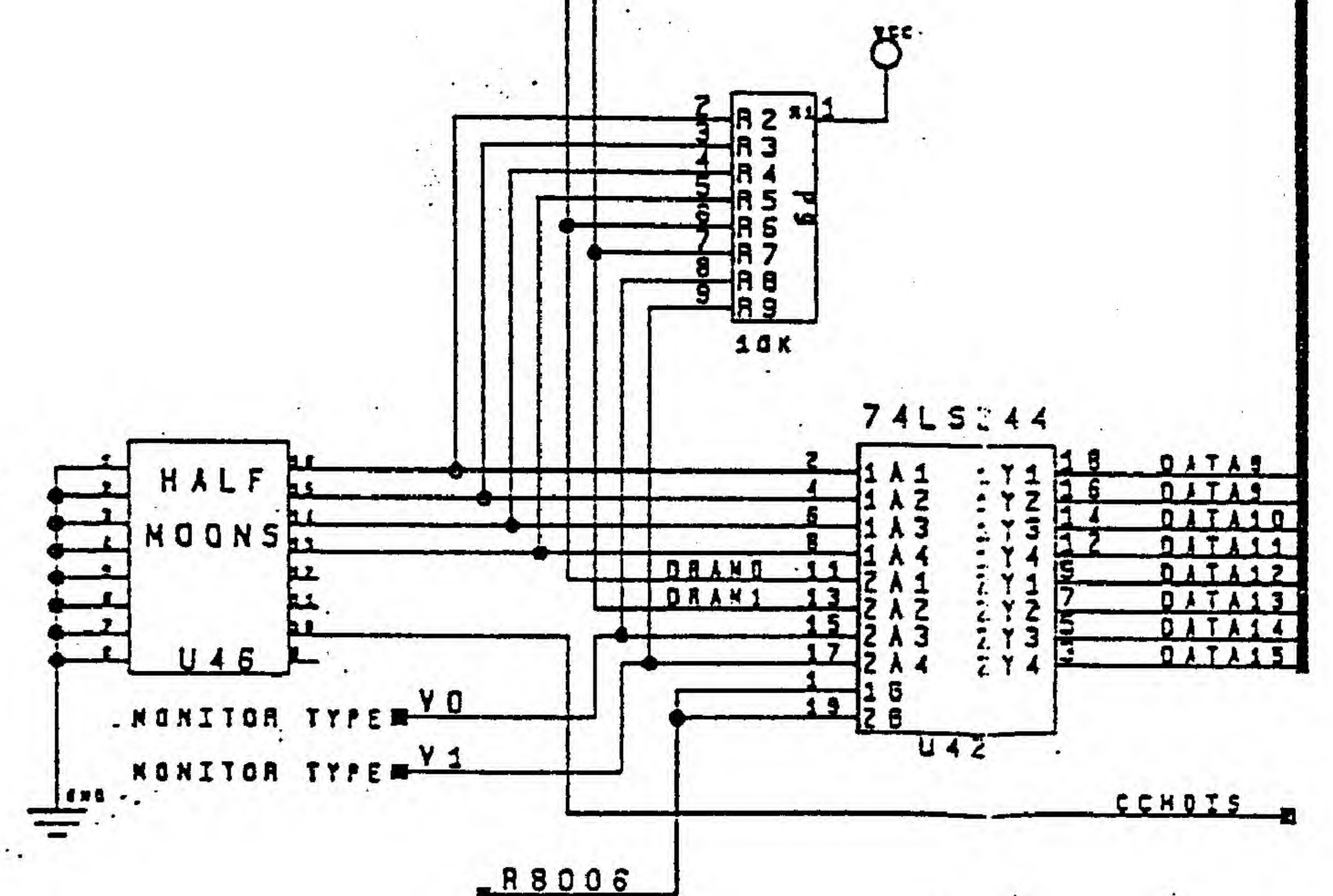
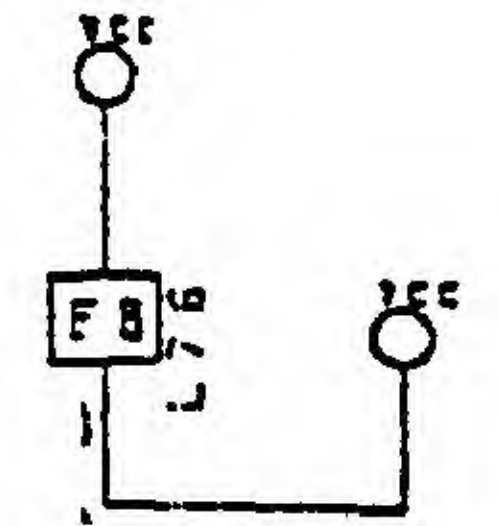
TITLE			
FALCON030			
SIZE	CODE	NUMBER	RE
D			A
			SHEET 5 OF 5

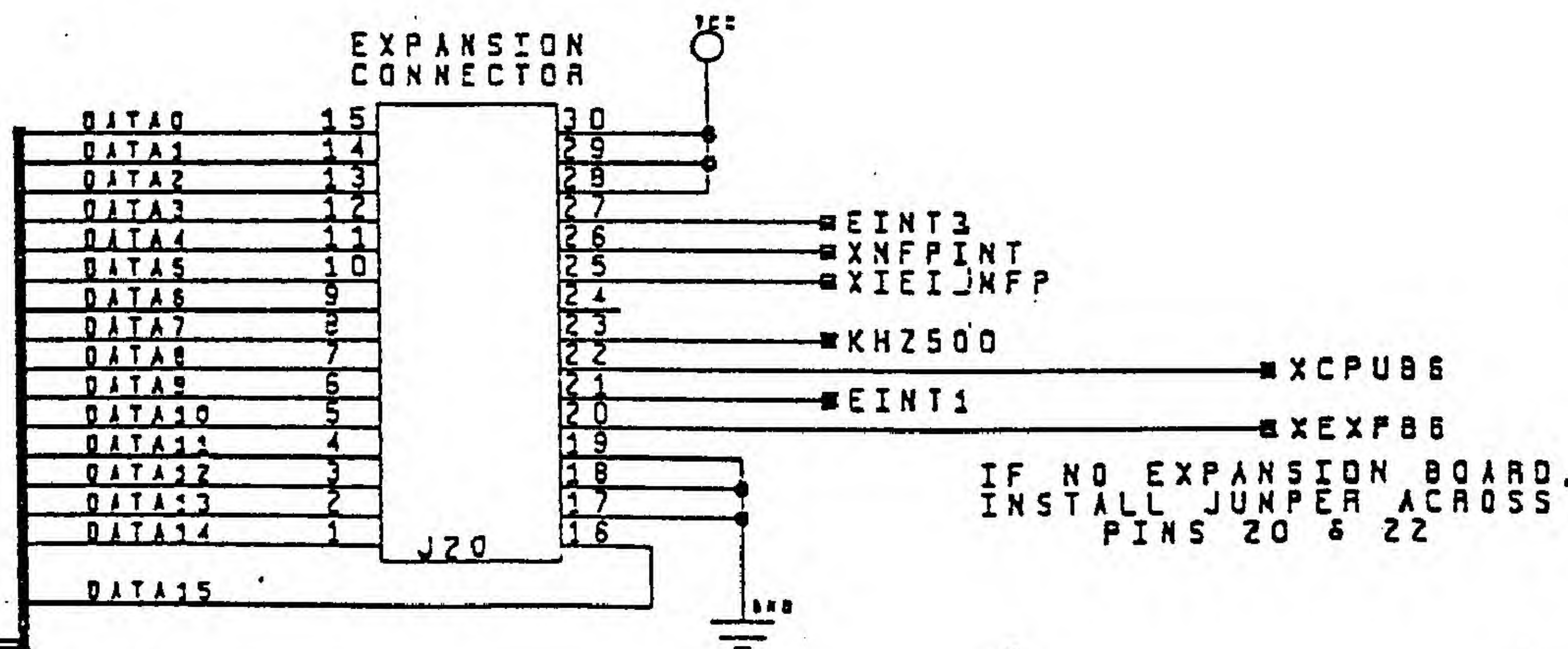
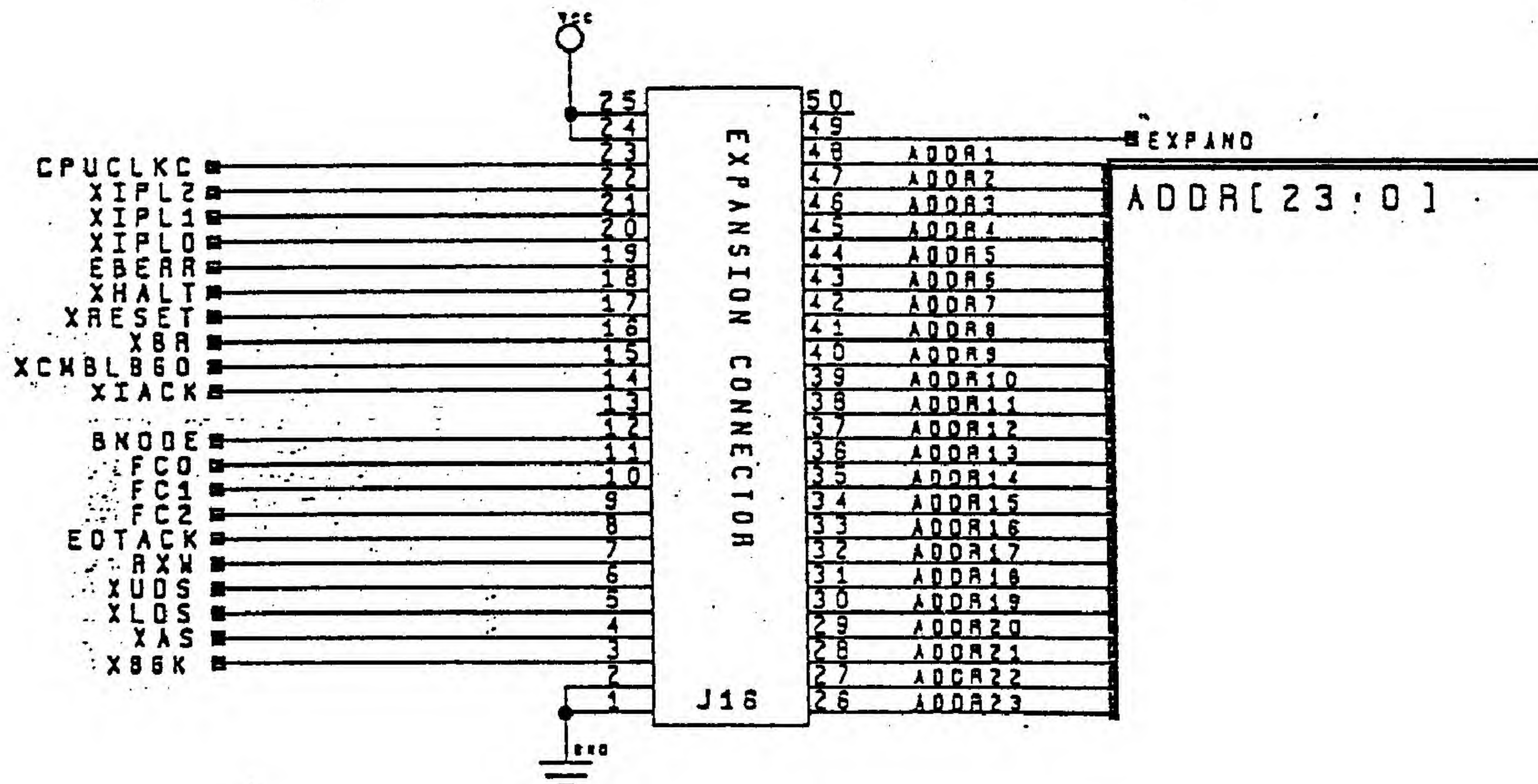
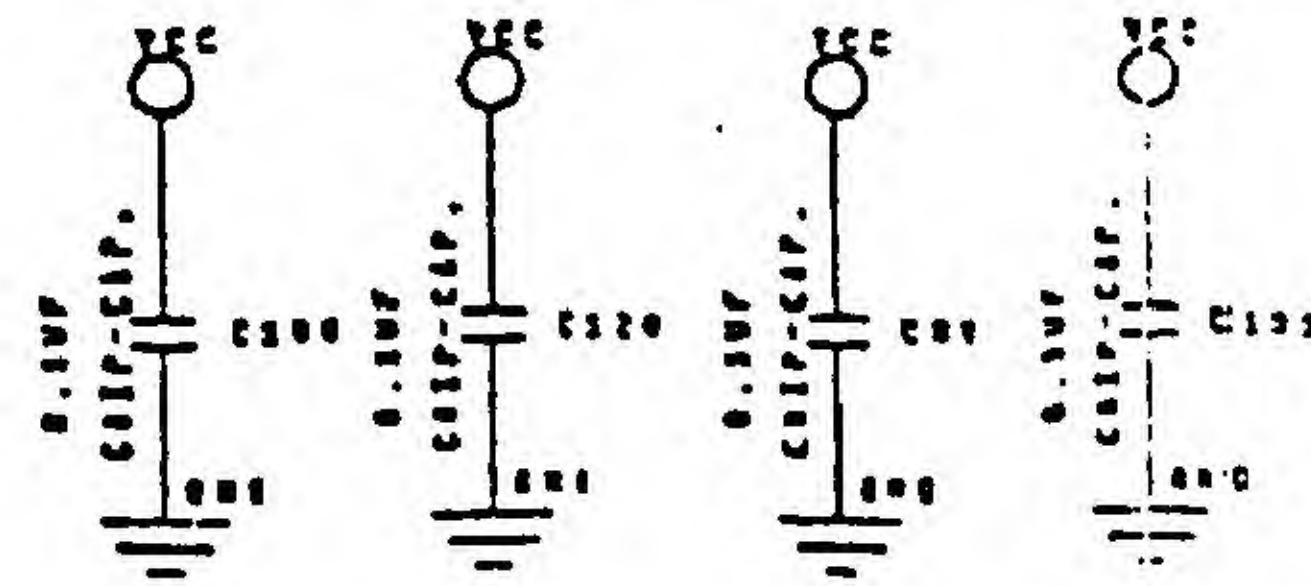


DATA[15:0]



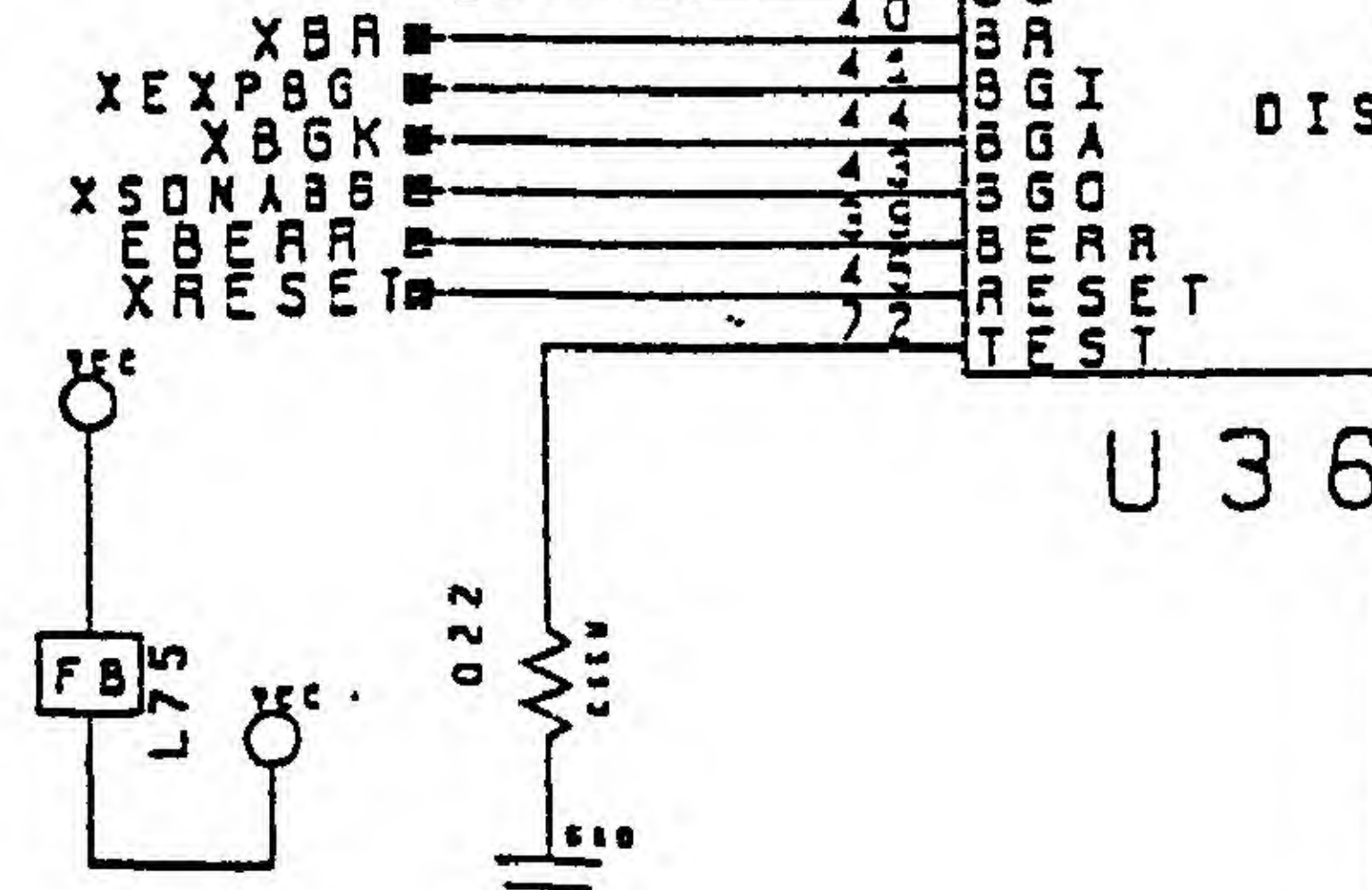
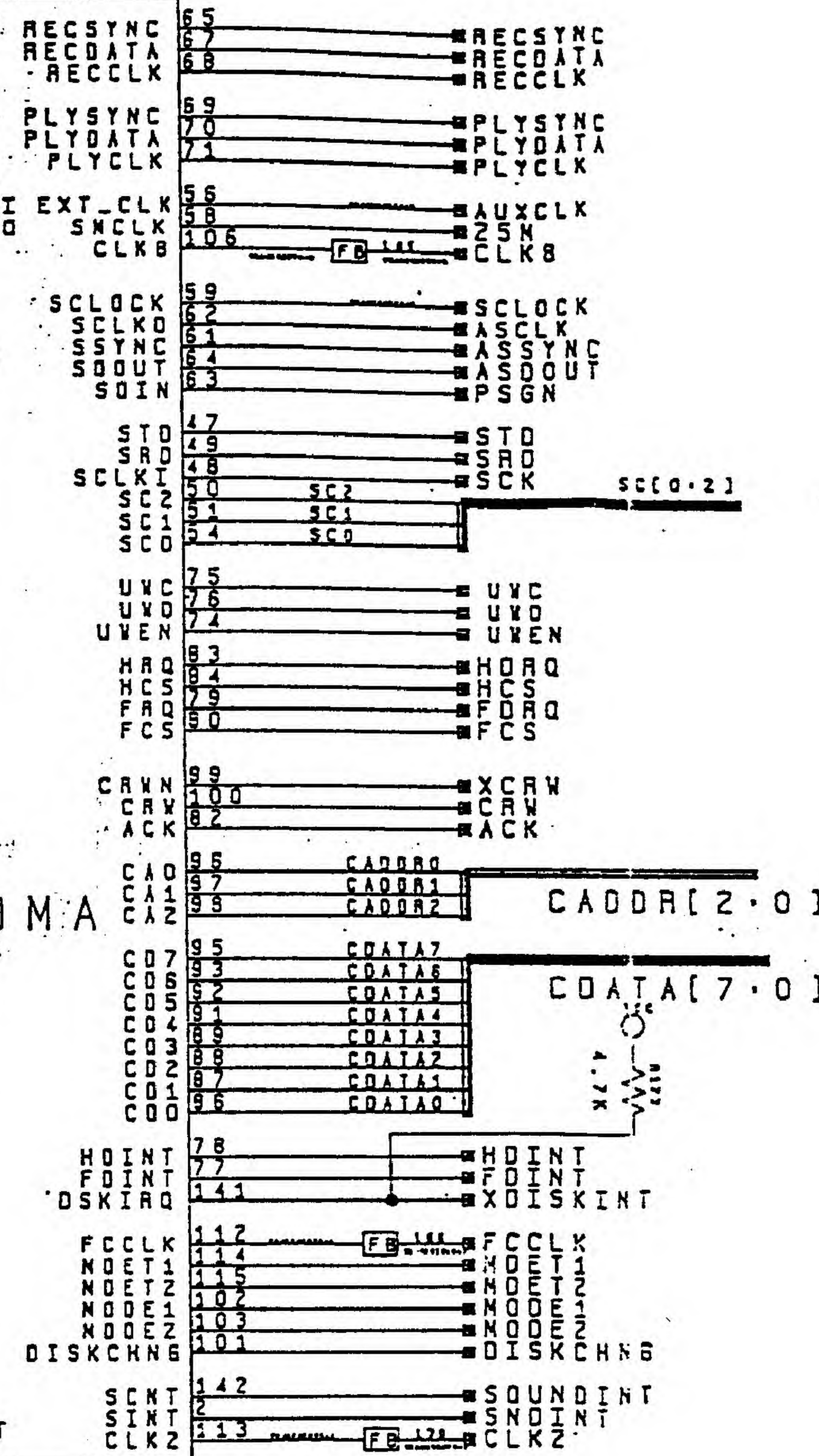
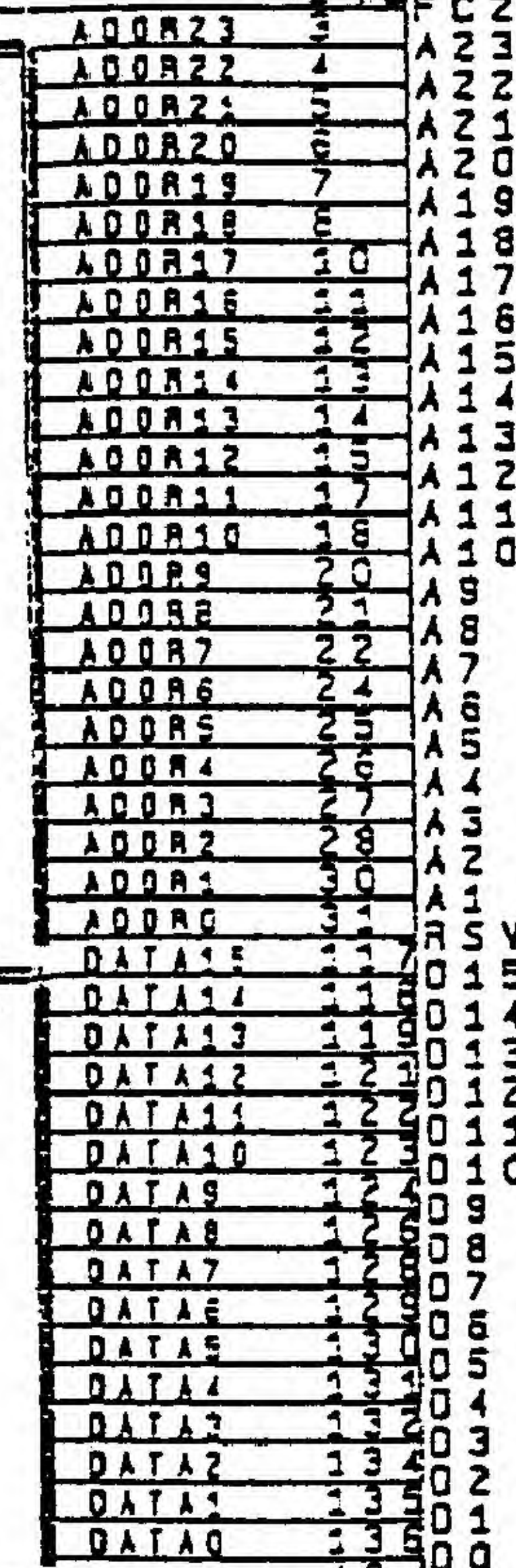
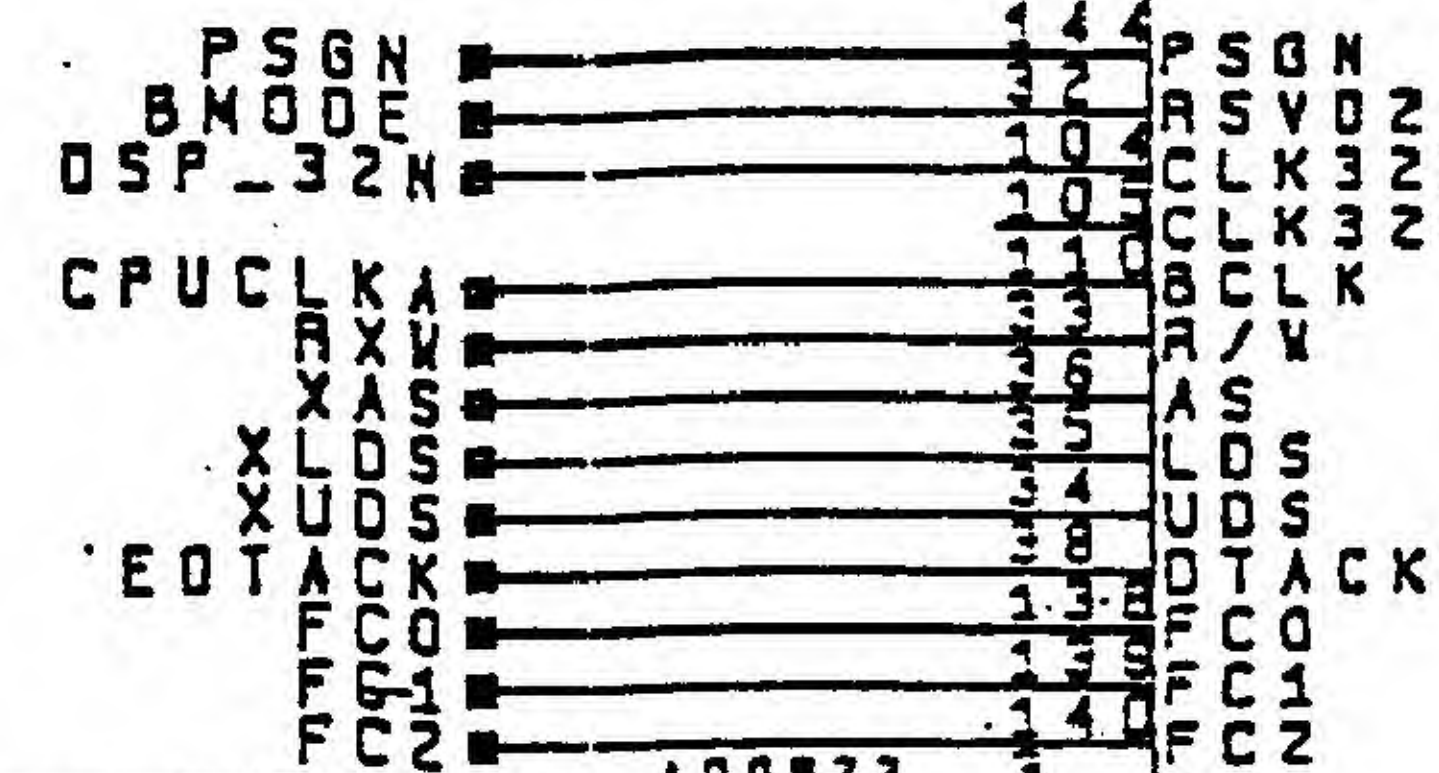
MAN WAIT STATE
 16/32 VIDEO BUS
 ROM WAIT STATE
 ROM WAIT STATE
 DRAM TYPE
 DRAM TYPE





ADDR[23:0]

DATA[15:0]

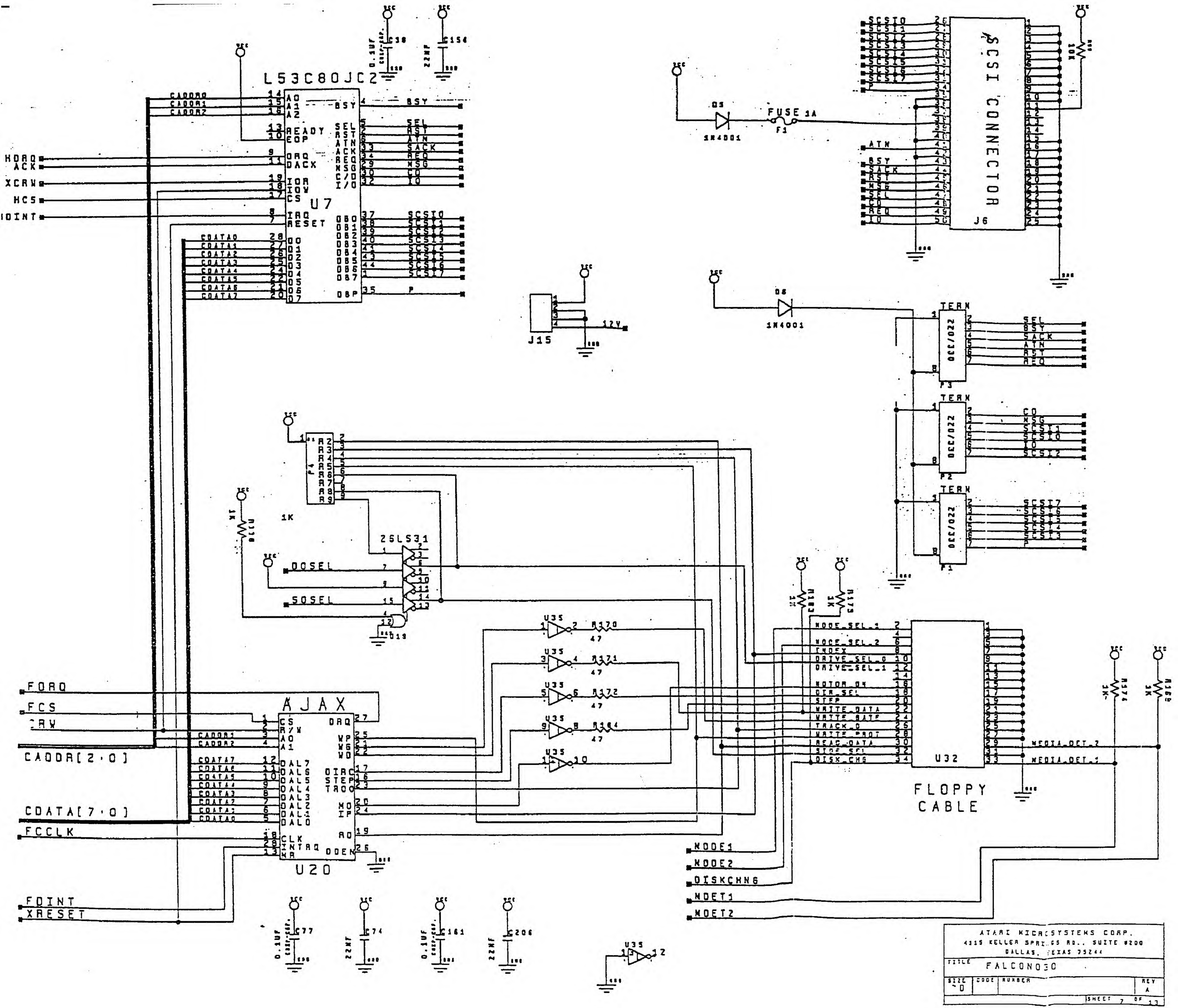


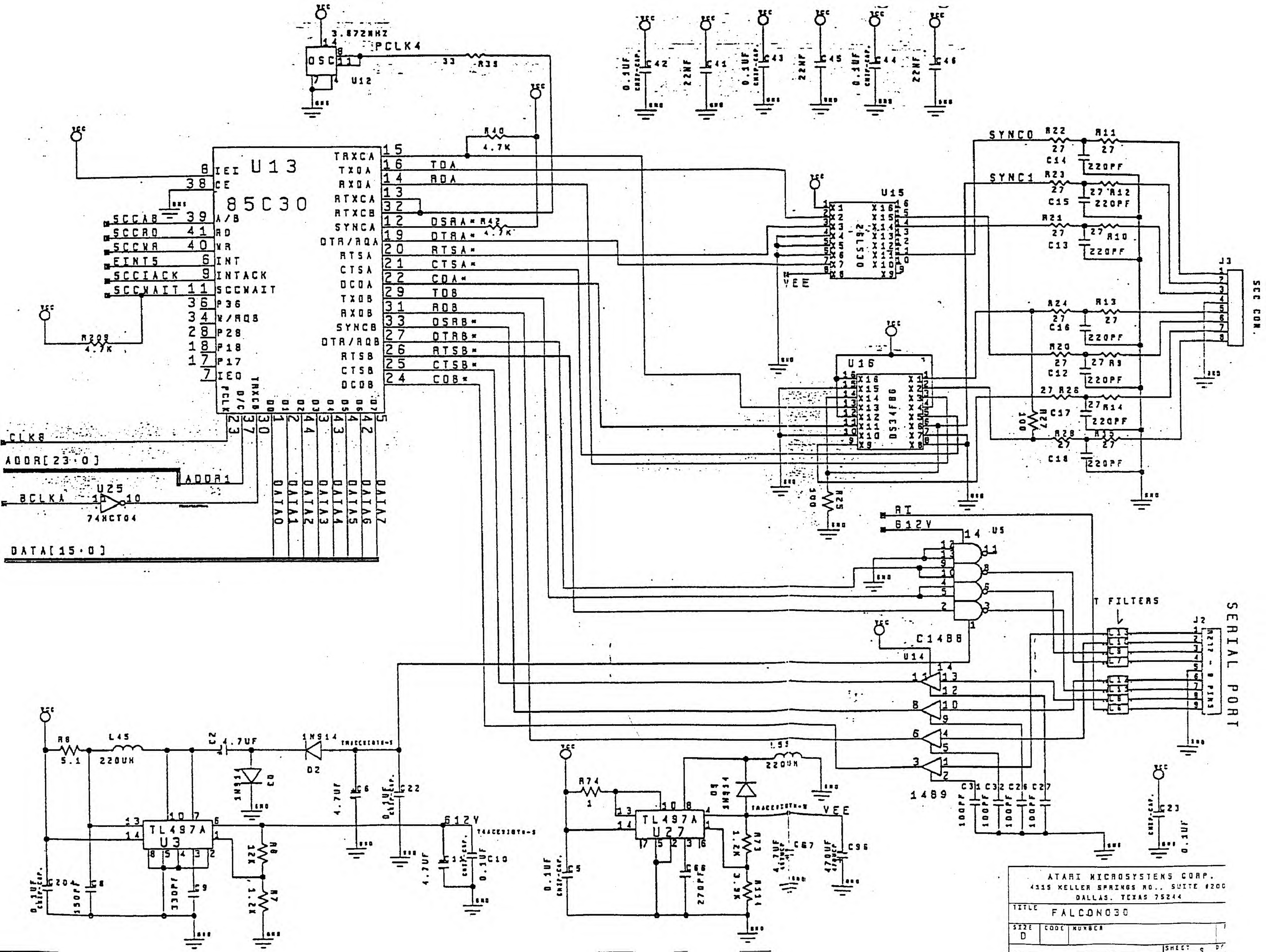
ATARI MICROSYSTEMS CORP.
4115 KELLER SPRINGS RD., SUITE #200
DALLAS, TEXAS 75244

TITLE **FALCON030**

SIZE	CODE	NUMBER	A
D			

SHEET 6 OF

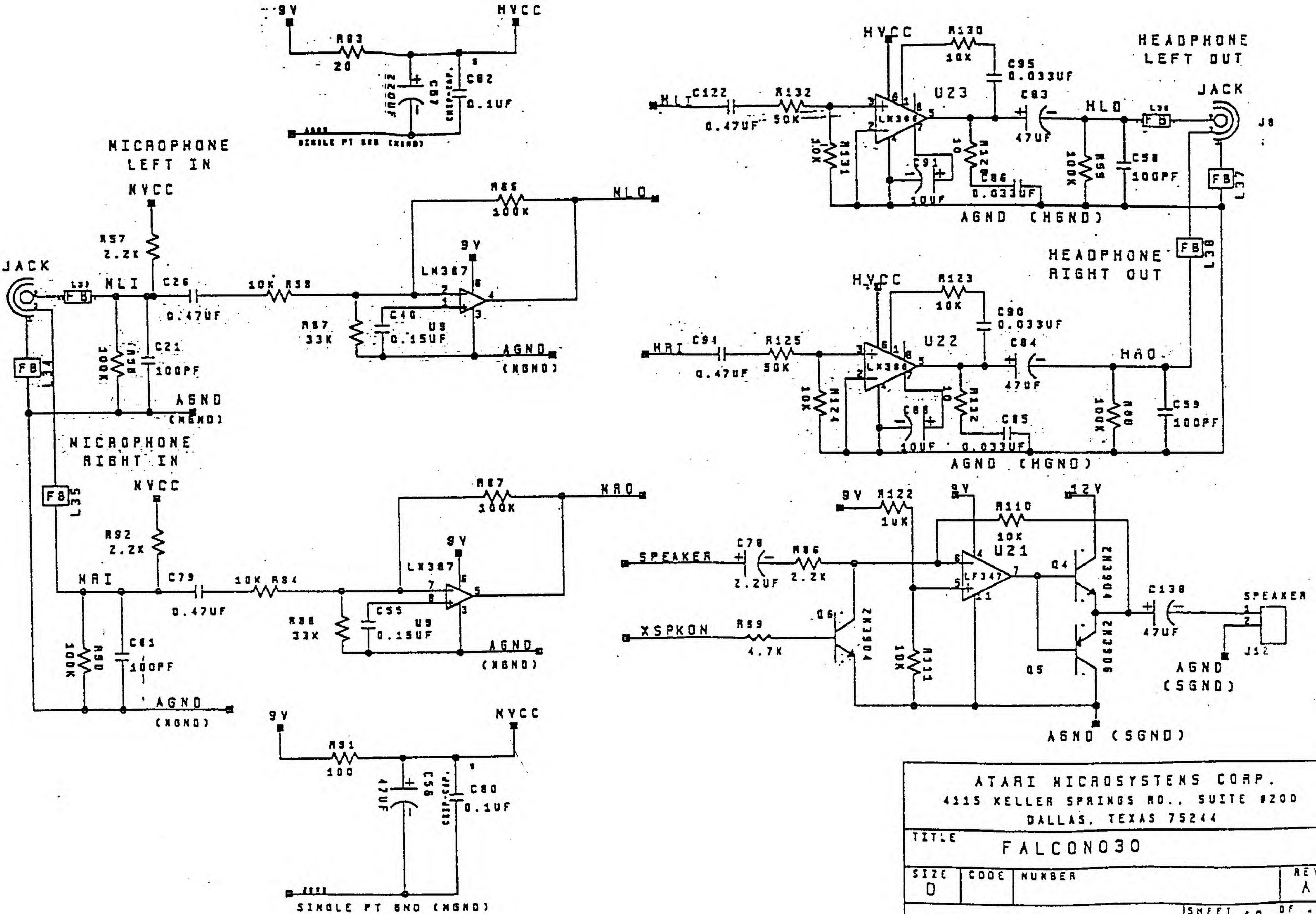




ATARI MICROSYSTEMS CORP.
 4115 KELLER SPRINGS RD., SUITE #200
 DALLAS, TEXAS 75244

TITLE	FALCON030
SIZE	CODE NUMBER
D	

SHEET 5 OF 5

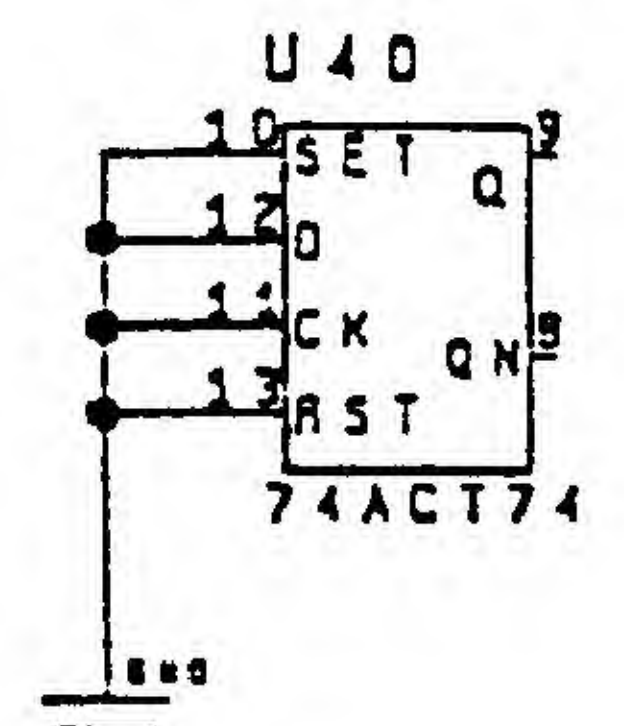
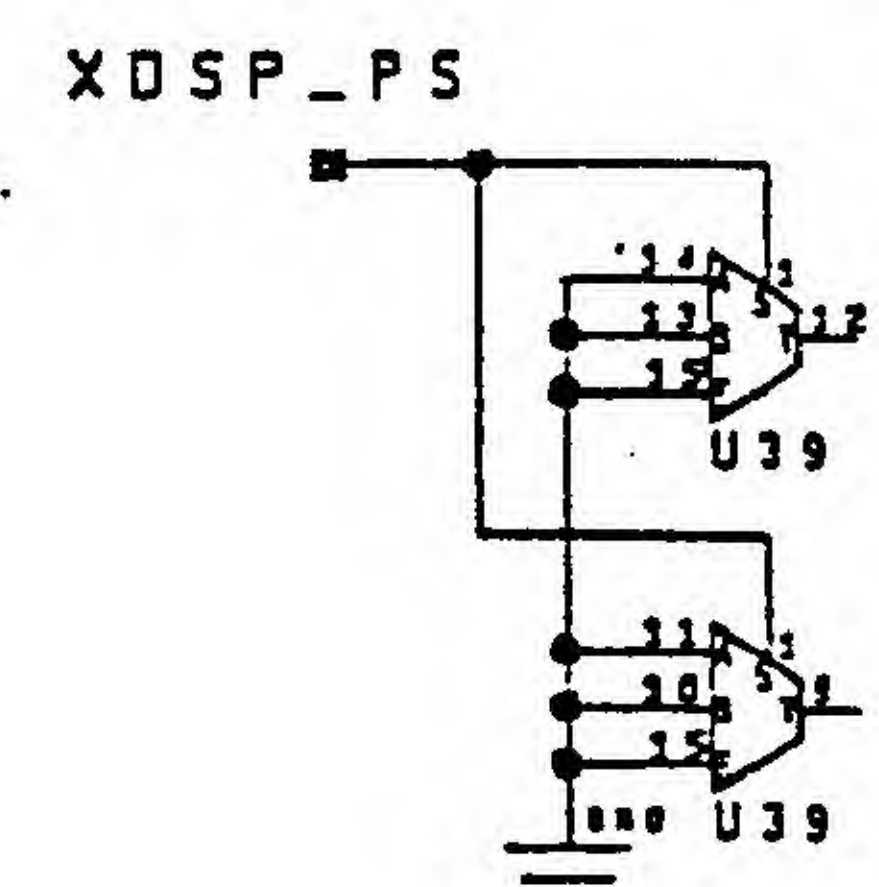
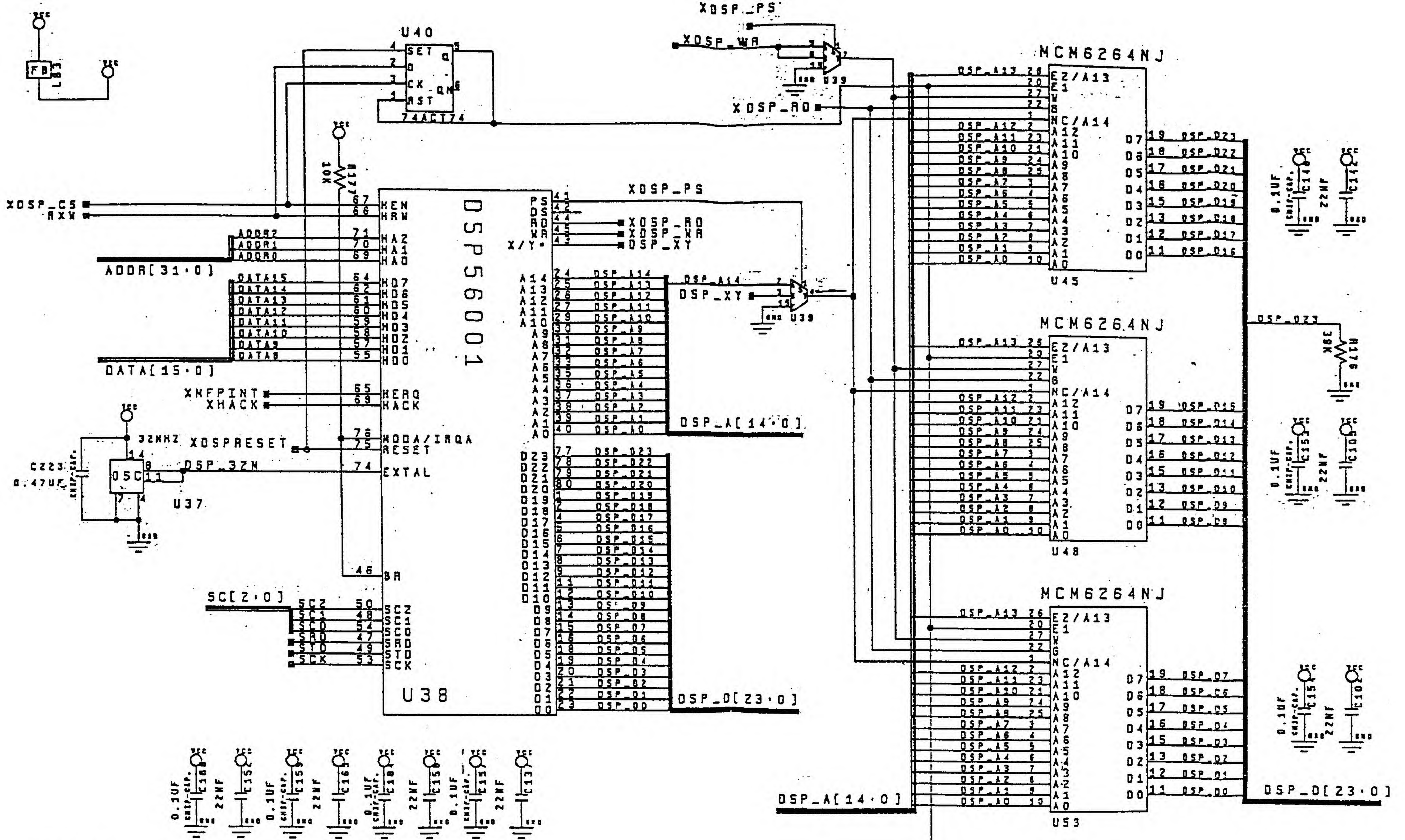


ATARI MICROSYSTEMS CORP.
 4115 KELLER SPRINGS RD., SUITE #200
 DALLAS, TEXAS 75244

TITLE: FALCON030

SIZE: D	CODE NUMBER	REV: A
---------	-------------	--------

SHEET 10 OF 1

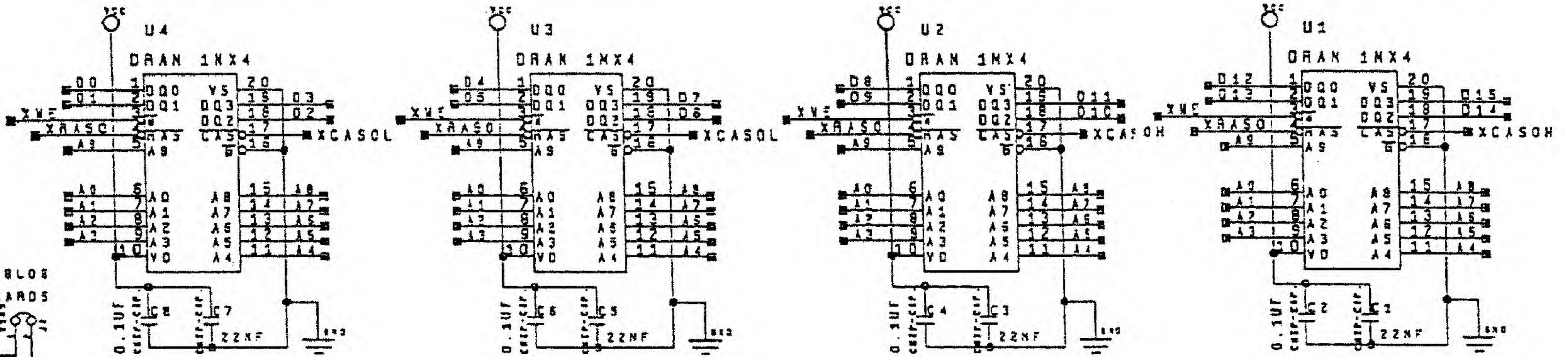
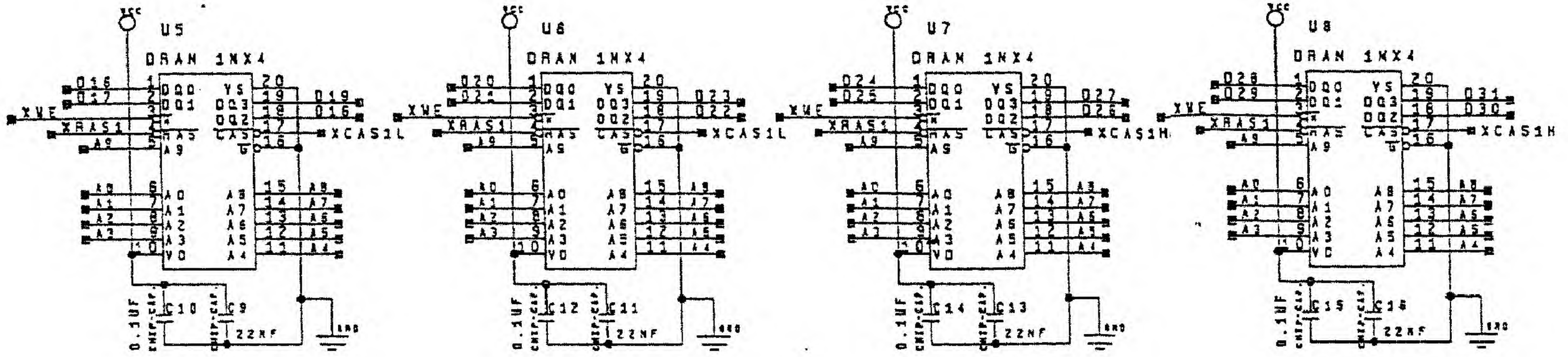


ATARI MICROSYSTEMS CORP.
 4115 KELLER SPRINGS RD., SUITE #200
 DALLAS, TEXAS 75244

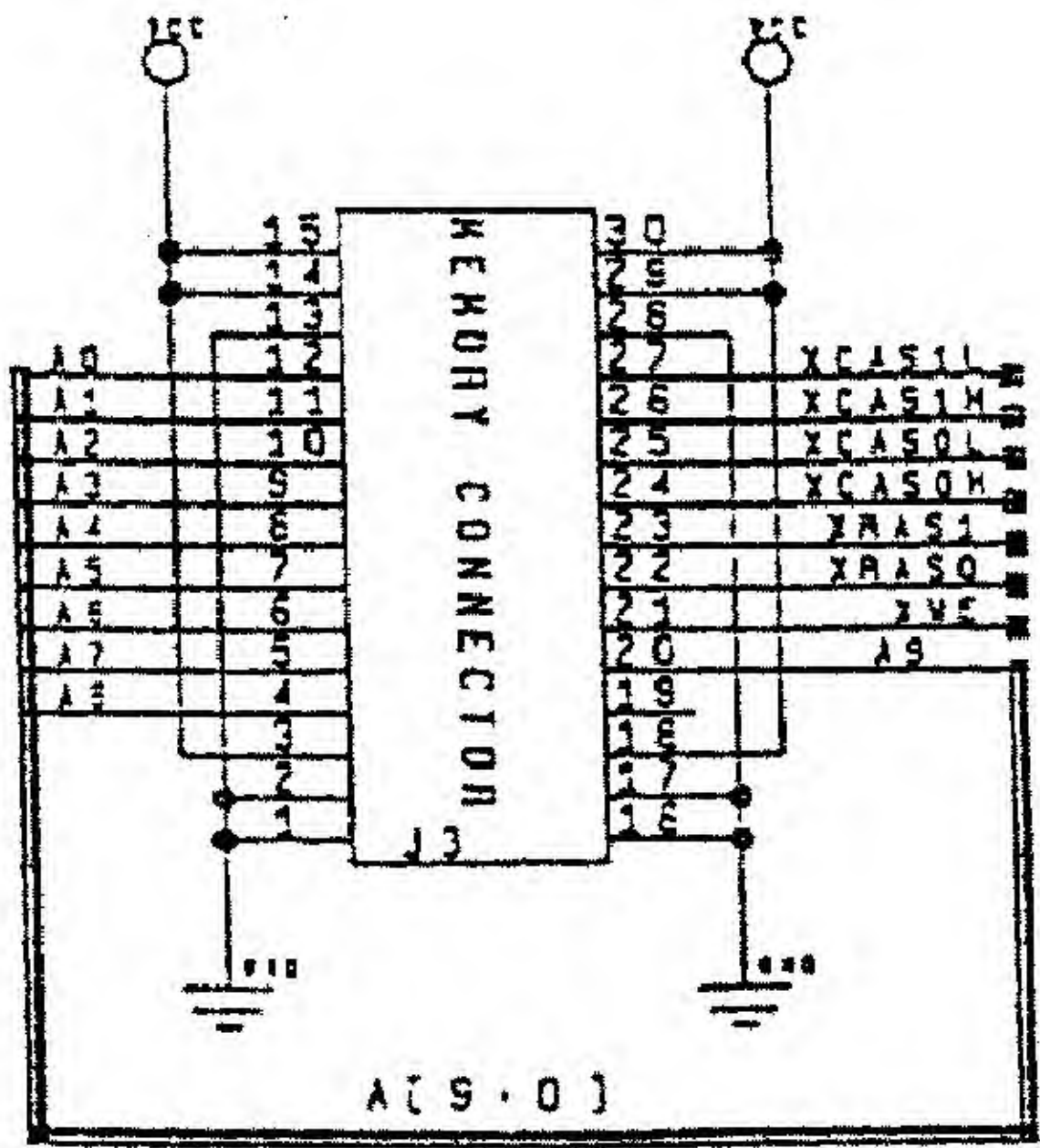
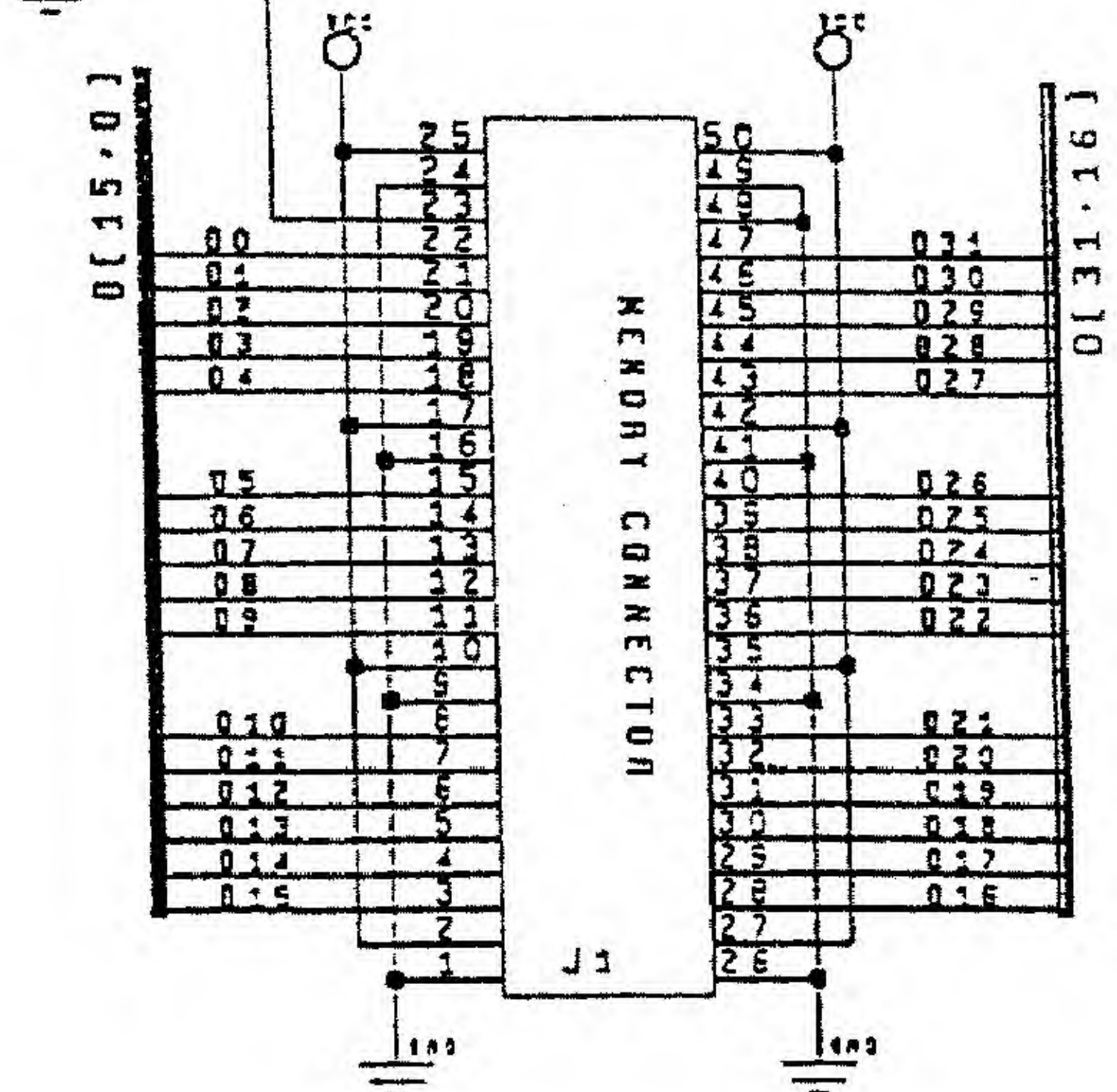
TITLE **FALCON030**

SIZE	CODE	NUMBER	A
D			

SHEET 13 OF 14



ADD SOLDER BLOB FOR 1Mx4 BOARDS

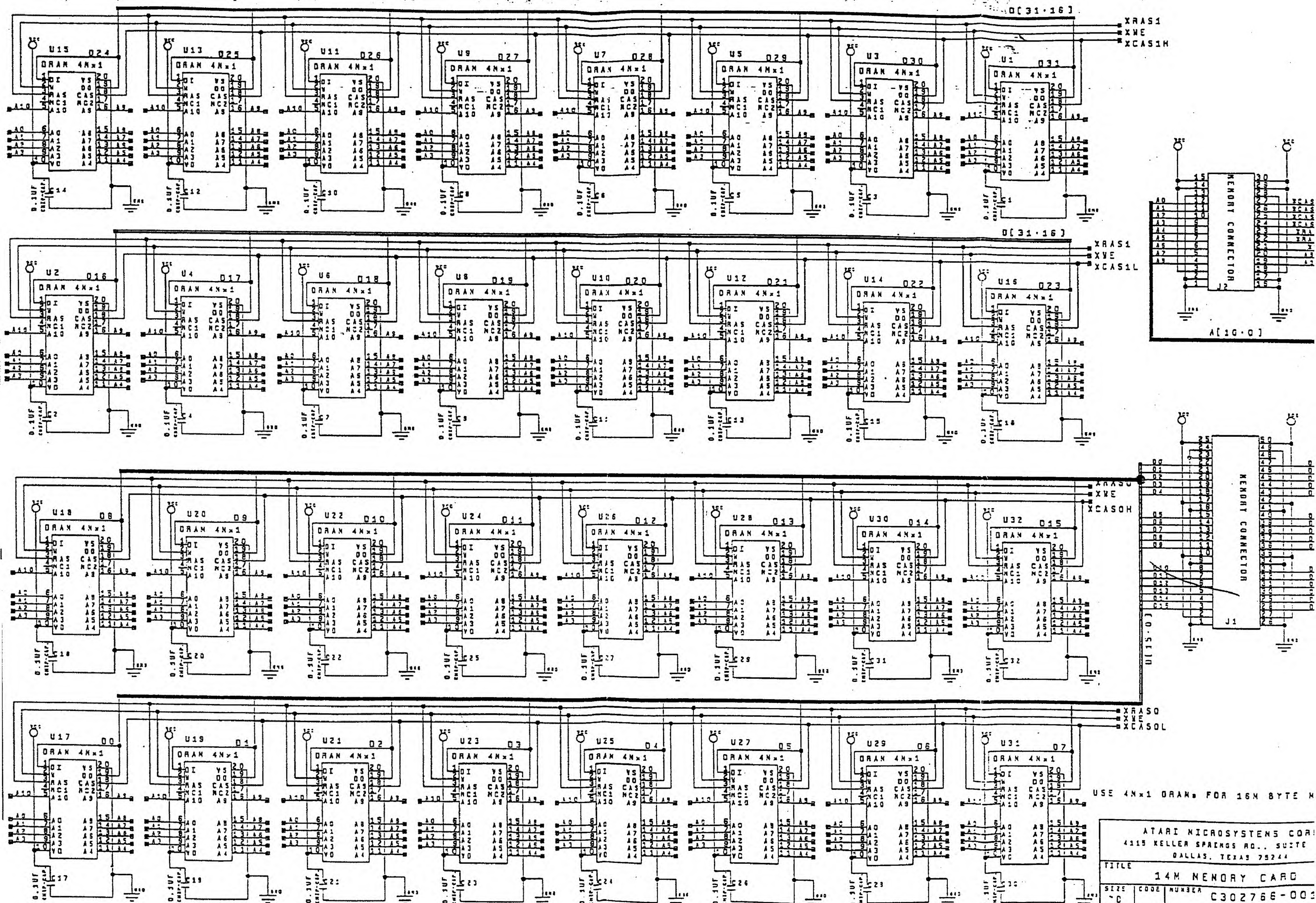


USE 1Mx4 DRAMs FOR 4M BYTE MEMORY. 32 BIT WIDE
 USE 256Kx4 DRAMs FOR 1M BYTE MEMORY. 32 BIT WIDE
 REMOVE U5,U6,U7,U8; USE 256Kx4 DRAMs FOR 512K (16 BIT WIDE) MEMORY
 (Default is 4M Bytes. 32 bit wide)

REV	REVISIONS DESCRIPTION	DATE	APP'D
2	PRELIMINARY RELEASE	6-26-92	J.S.

CA401292	17488 DRAM PCB	USED ON	ORIGINAL MODEL
REVIT ASSEMBLY			
APPLICATION			

DRAWN BY	DATE	ATARI MICROSYSTEMS CO		
TRH	6/8/92	4115 KELLER SPRINGS RD., SUIT DALLAS, TEXAS 75244		
CHECKED	DATE	TITLE		
S. BARROWS	6-24-92	1M/4M MEMORY C/		
ENGINEER	DATE	SIZE	CODE	NUMBER
J. SMITH	6-25-92	D		C302762-01
APPROVED	DATE			
APPROVED	DATE	SHEET		



USE 4N x 1 DRAMs FOR 16M BYTE M

ATARI MICROSYSTEMS CORP.
 4315 KELLER SPRINGS RD., SUITE
 DALLAS, TEXAS 75244

TITLE
 14M MEMORY CARD

SIZE CODE NUMBER
 C302766-00

SHEET 2