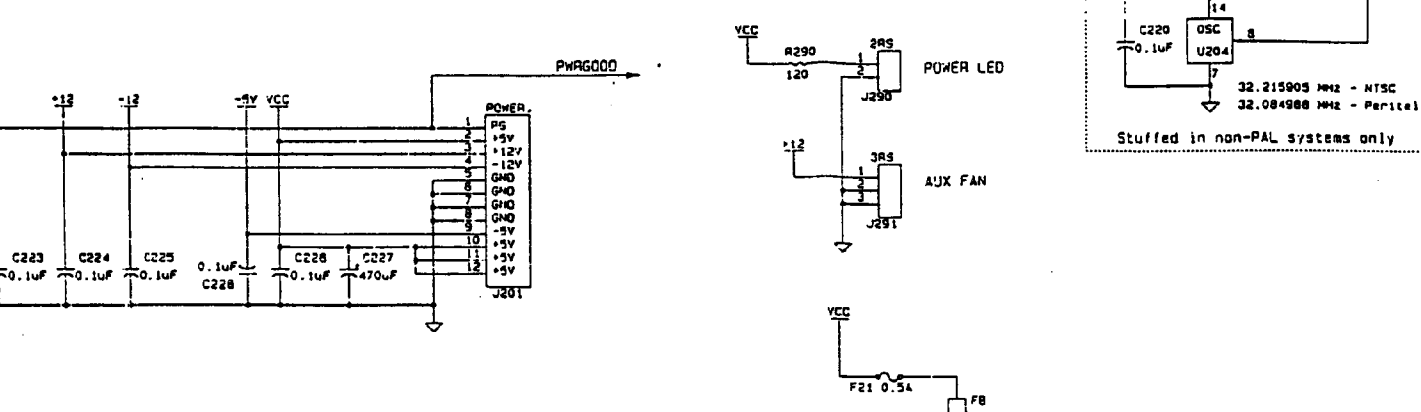
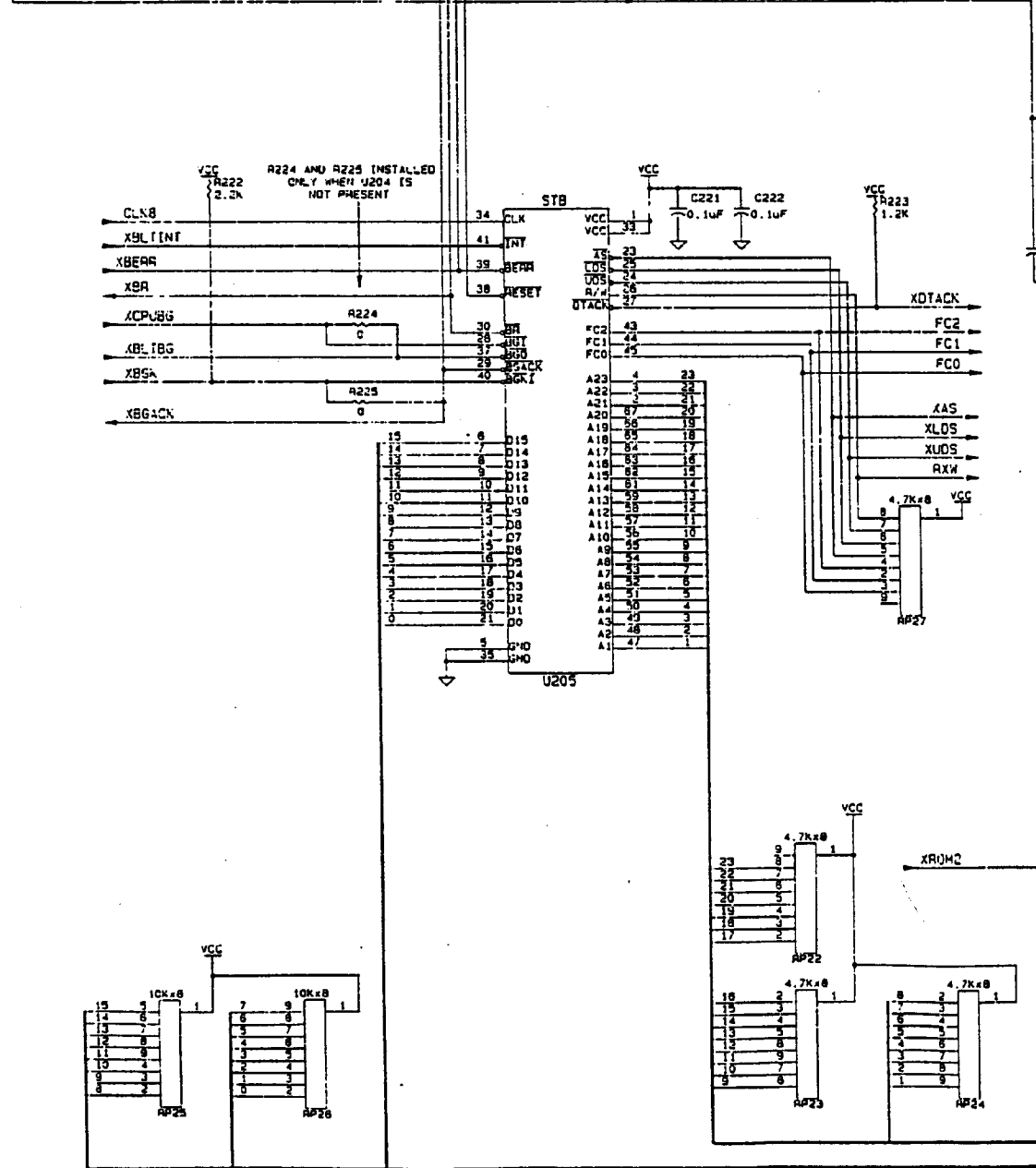
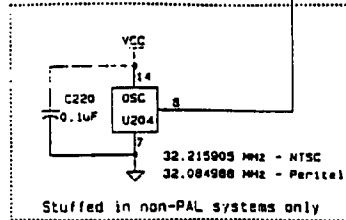
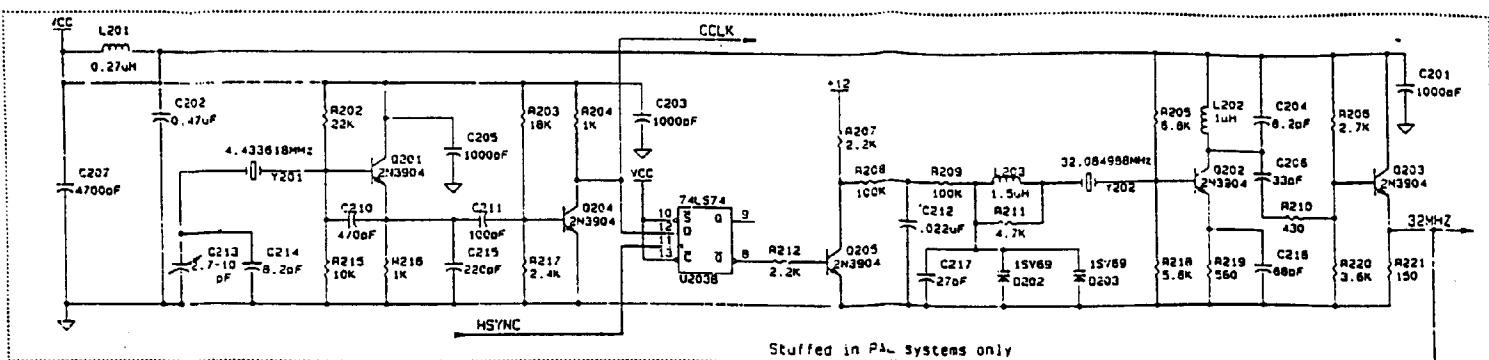
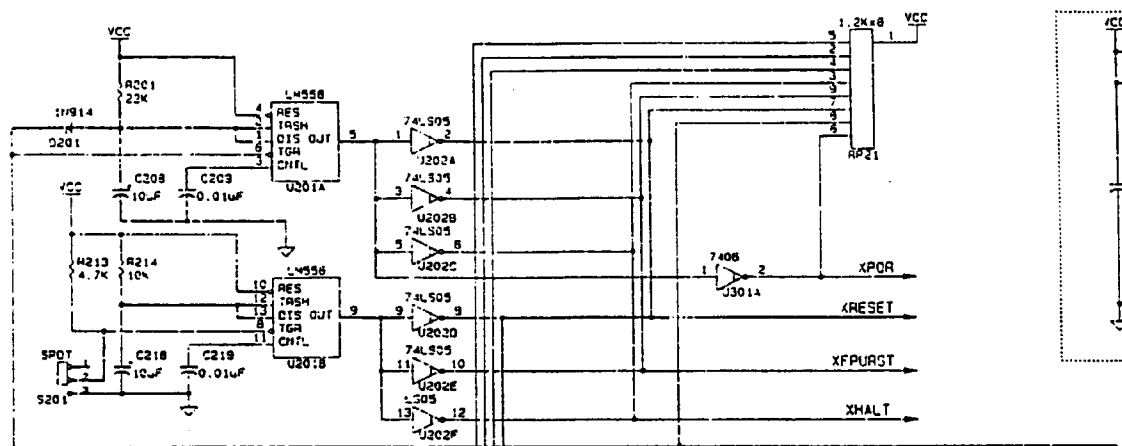


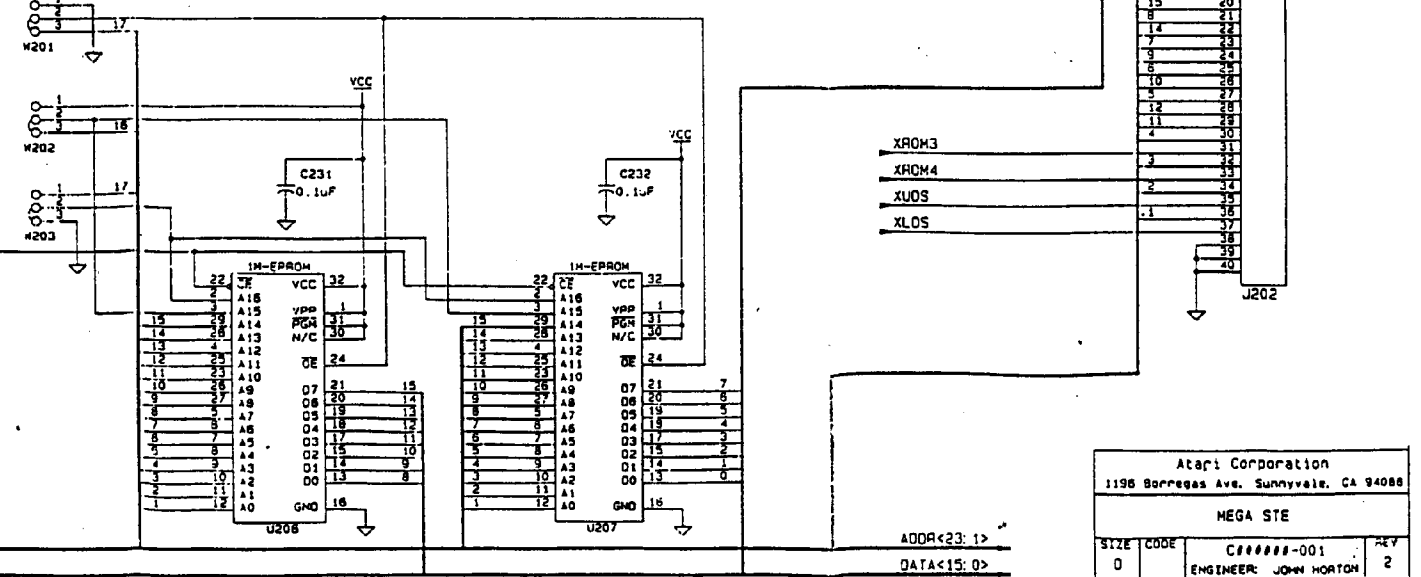
DATA
ADDR

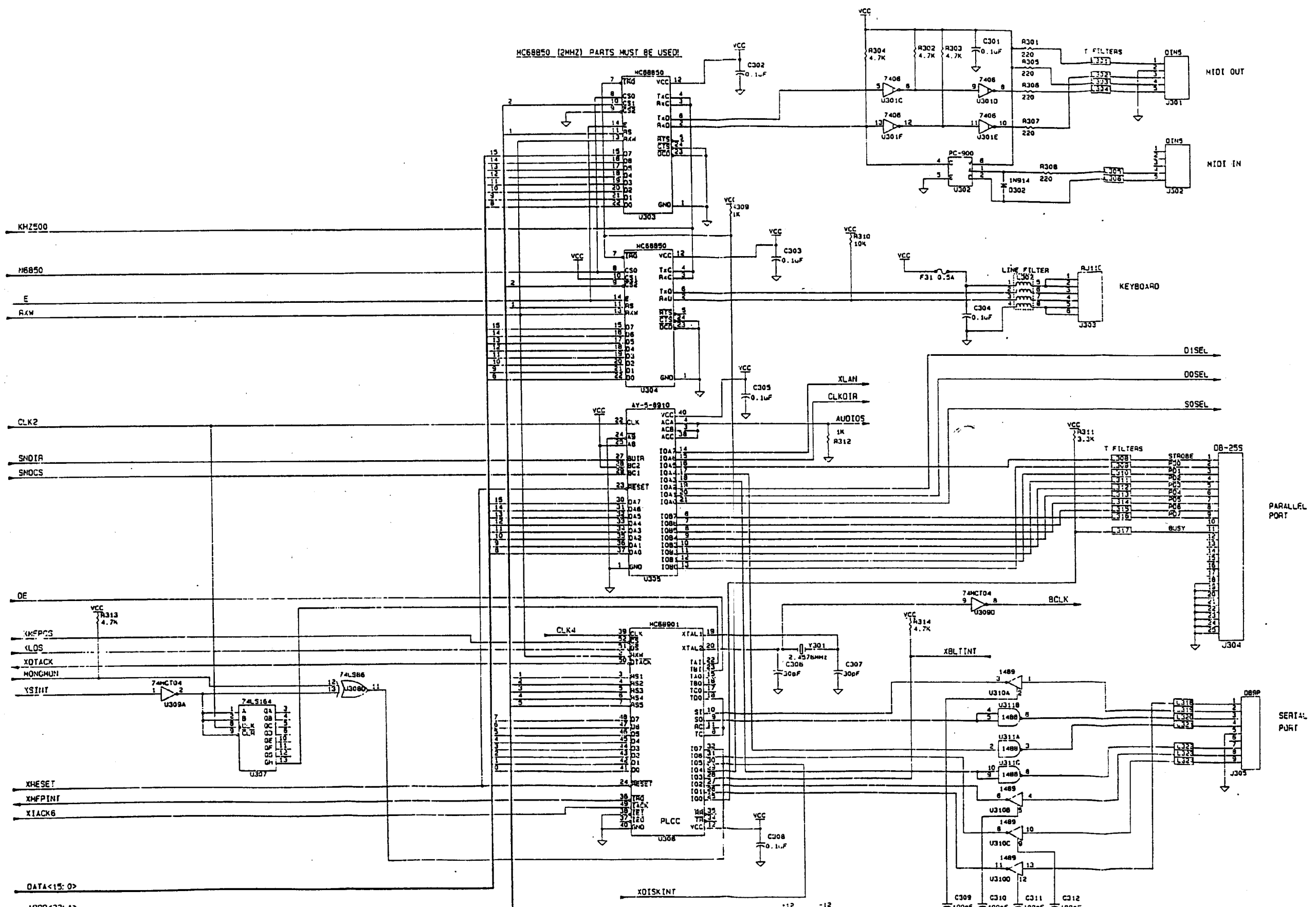


ROM jumper settings

Part Type	W201	W202	W203
27256	Don't Care	1 and 2	N/C
27512	2 and 3	2 and 3	N/C
571001/27C1000/531000	2 and 3	2 and 3	2 and 3
27010/571000/27C1001	1 and 2	2 and 3	1 and 2

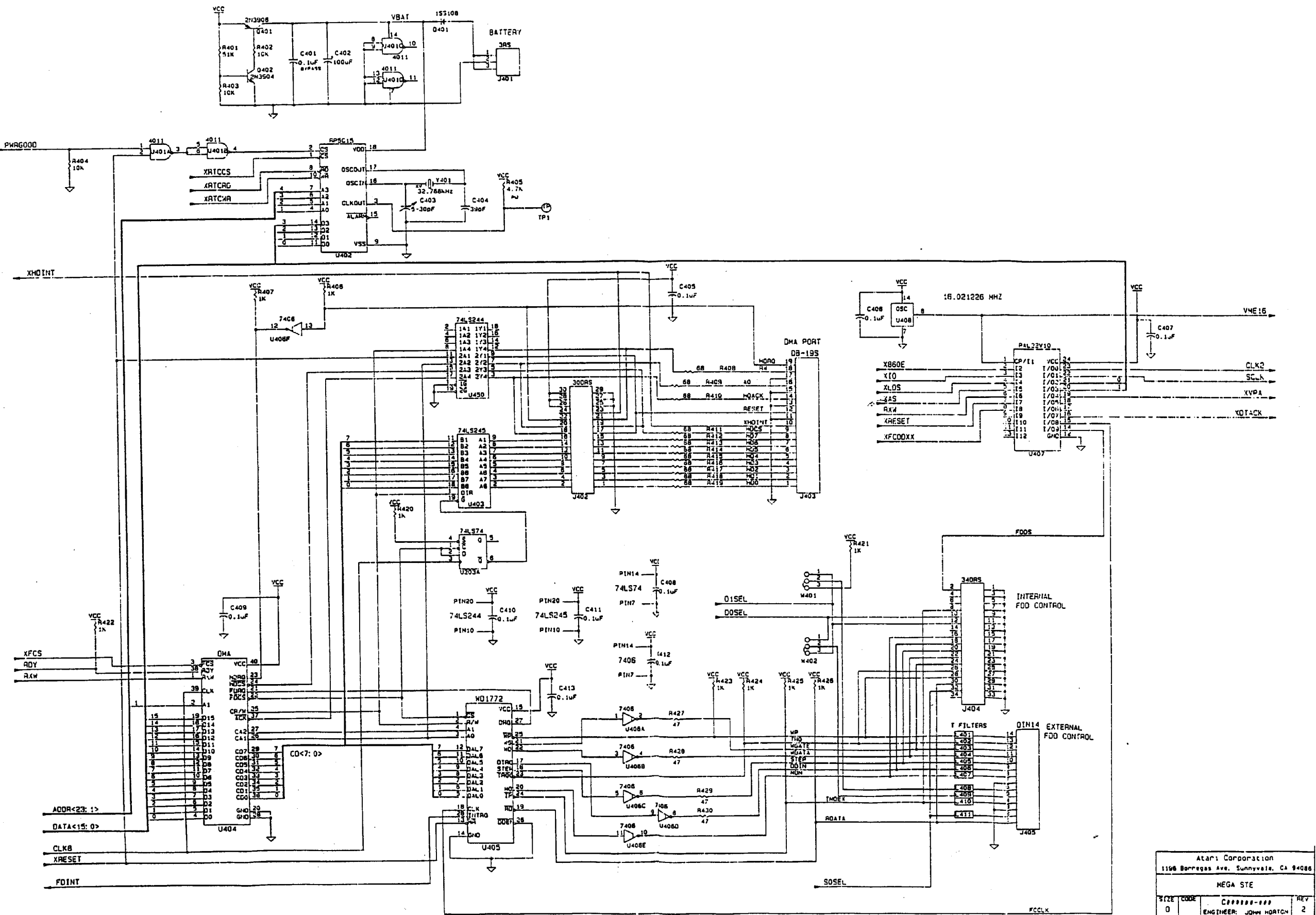
Note: Jumpers are preset for 1M Rows
(See default settings below)

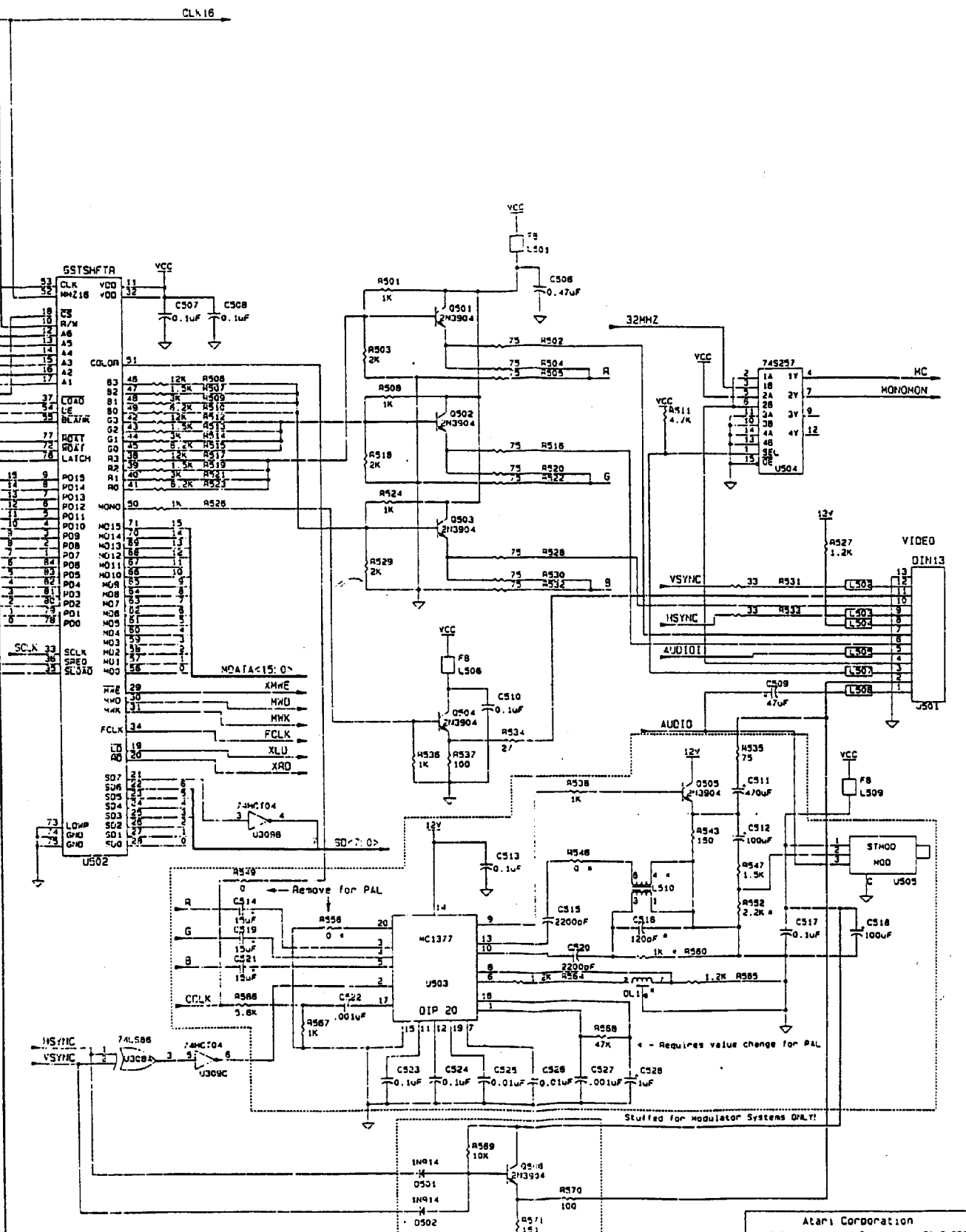
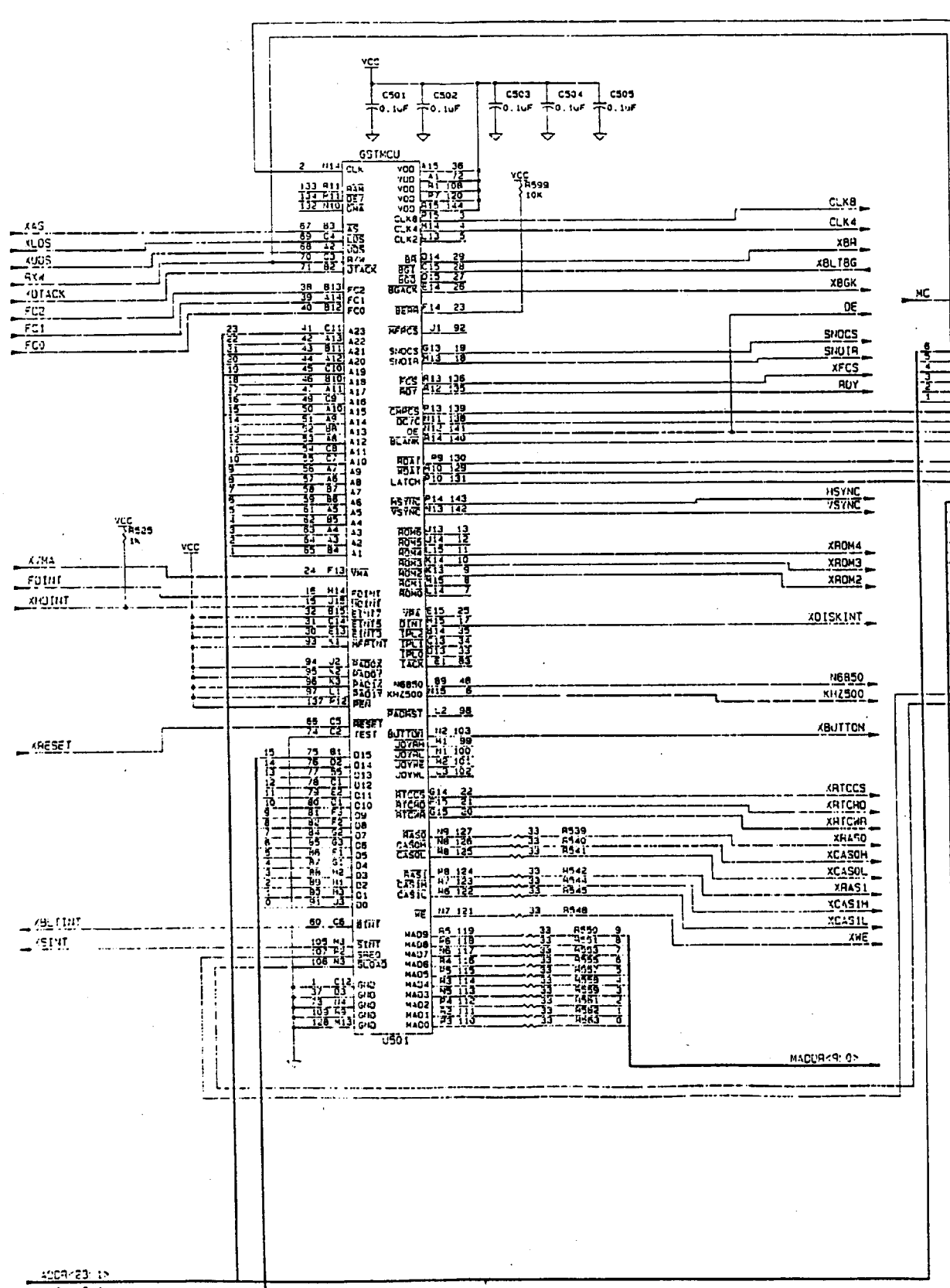




MC68850 (2MHZ) PARTS MUST BE USED!

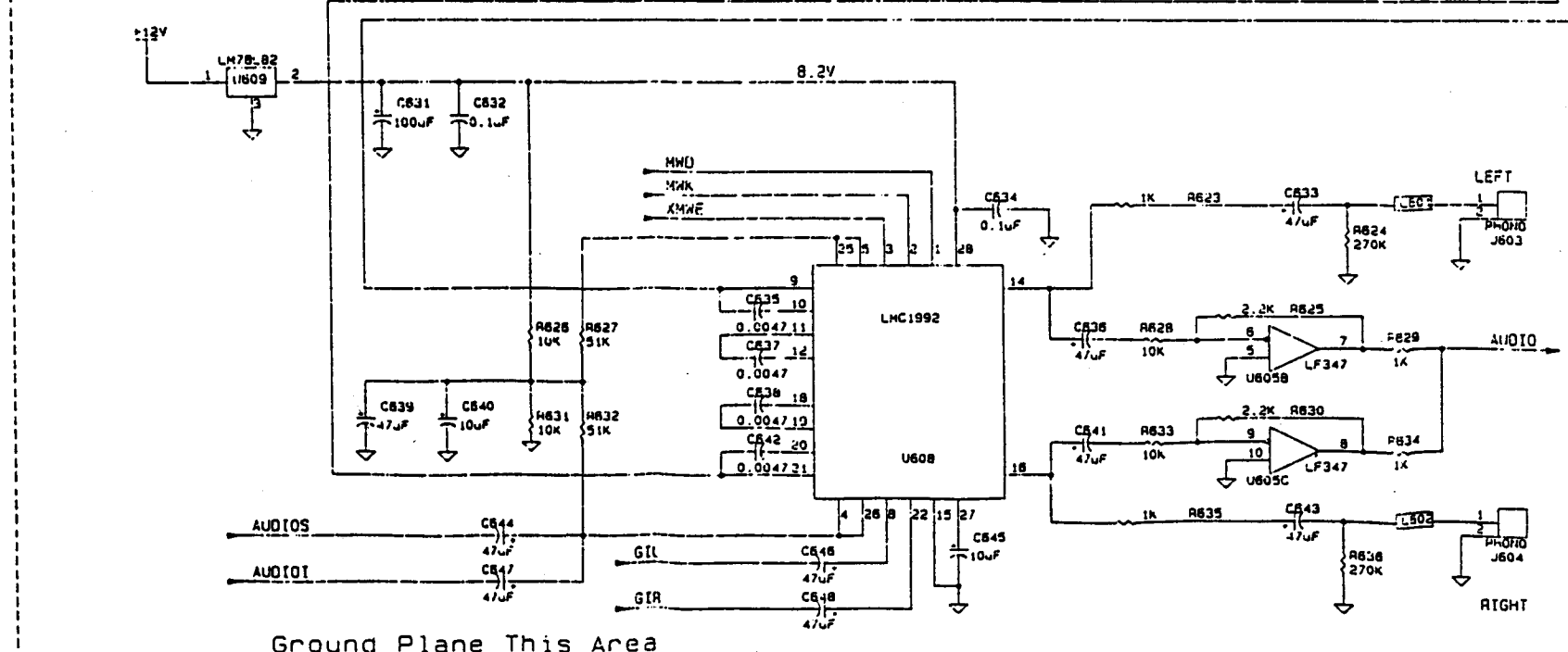
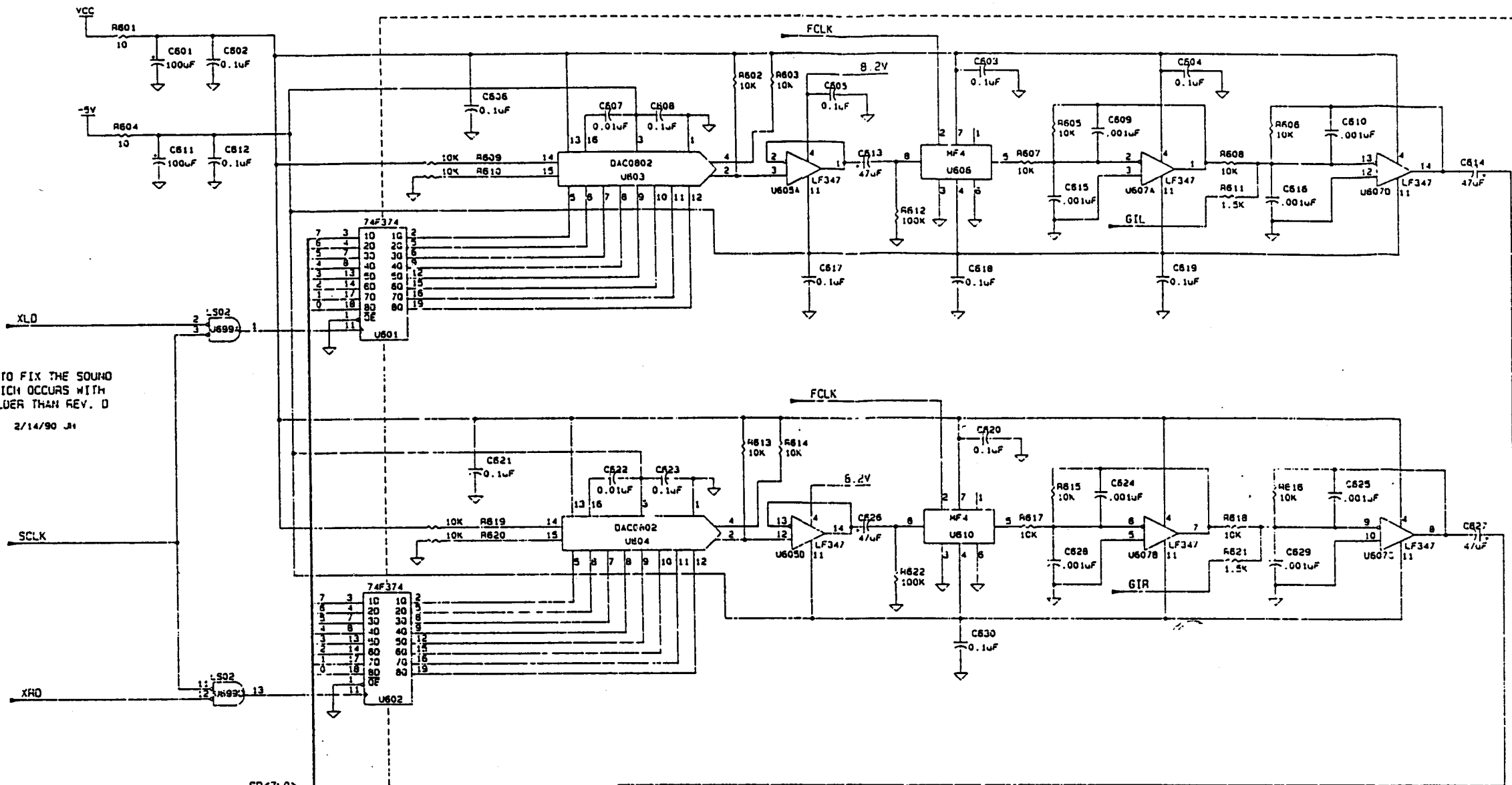
Atari Corporation			
1196 Borregas Ave. Sunnyvale, CA 94086			
MEGA STE			
SIZE	CODE	REV	REV
D	C00000-100		2
ENGINEER: JOHN HORTON			
DATE: APRIL 20, 1990		SHEET 1 of 11	



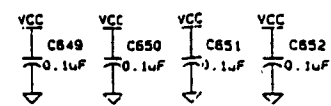


4209-23-1
DATA<15:0>

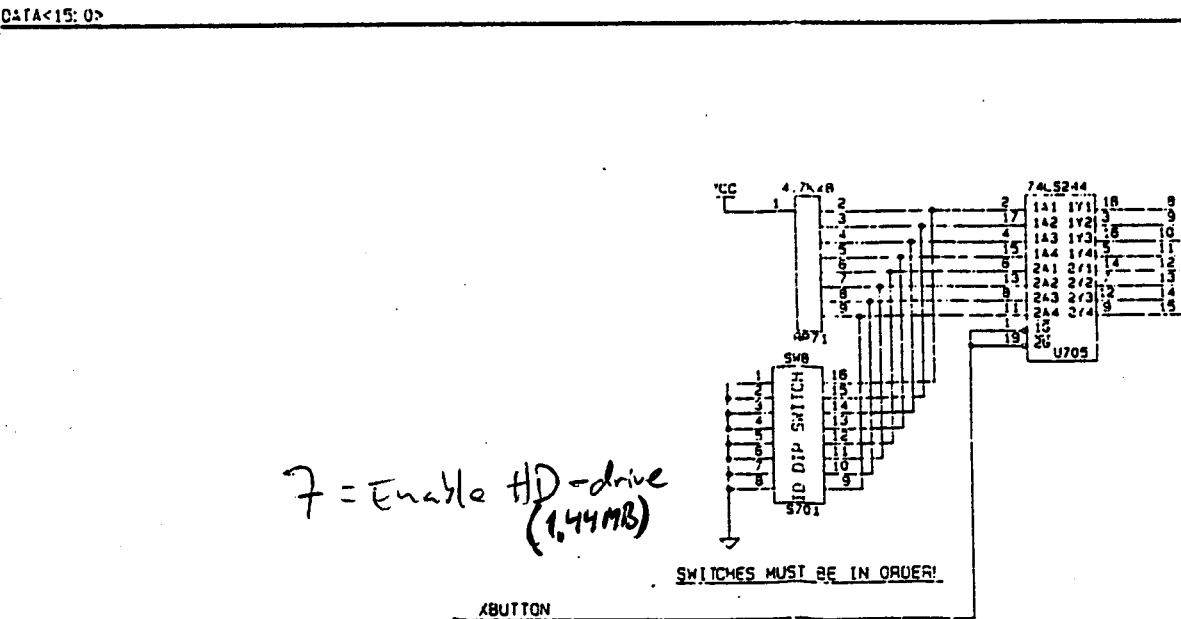
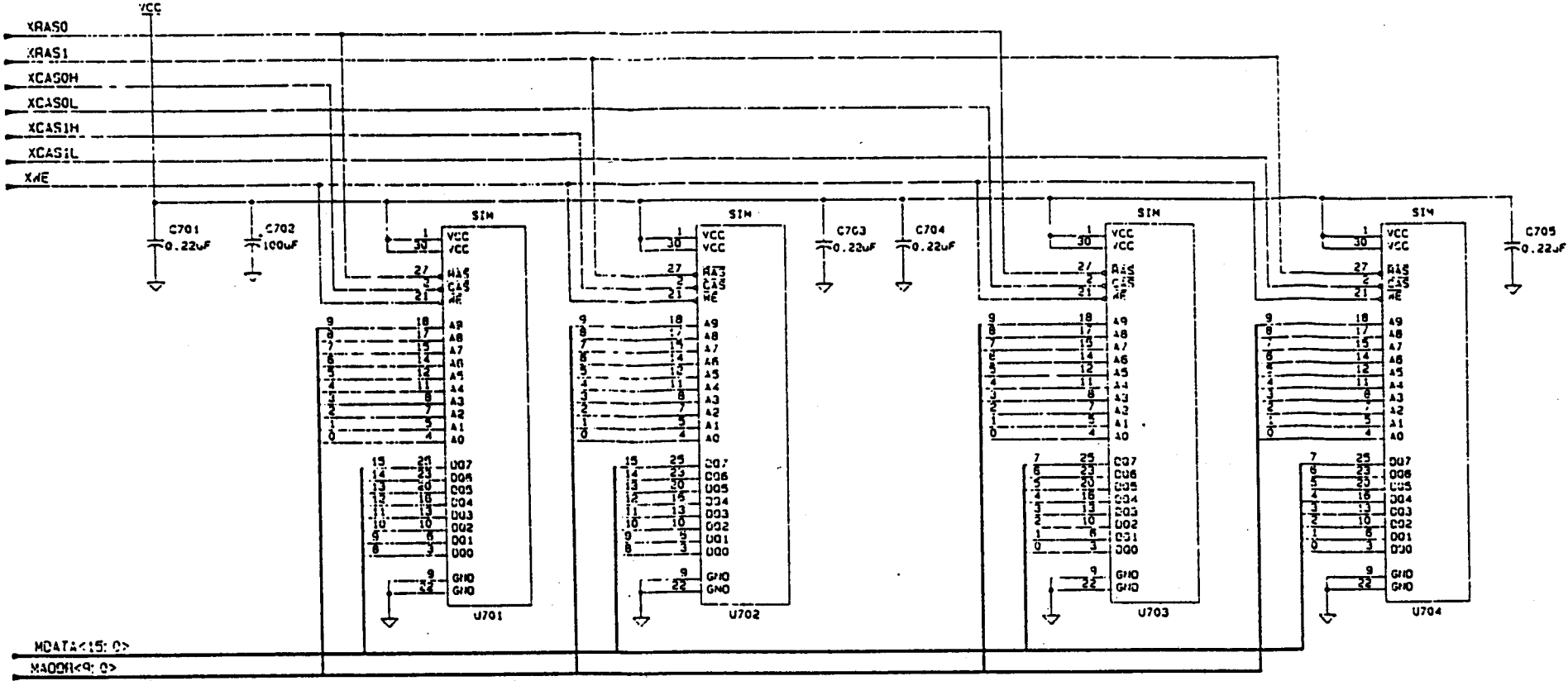
THE 74LS02 HAS ADDED TO FIX THE SOUND DATA HOLD PROBLEM WHICH OCCURS WITH ST-4117 (SHIFTERS) OLDER THAN REV. D
2/14/90 JH



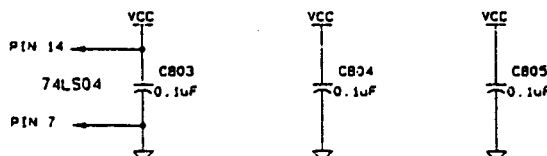
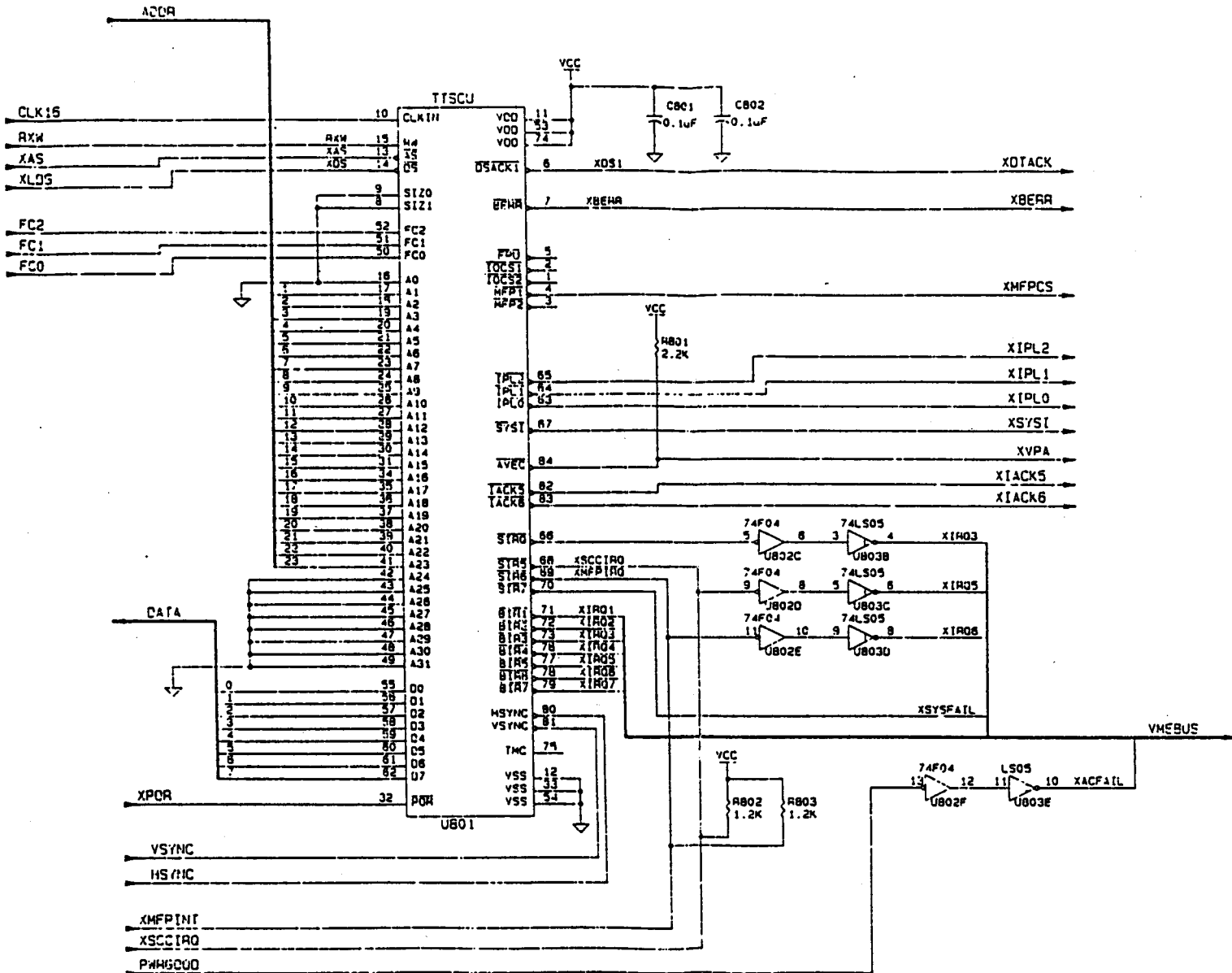
Ground Plane This Area



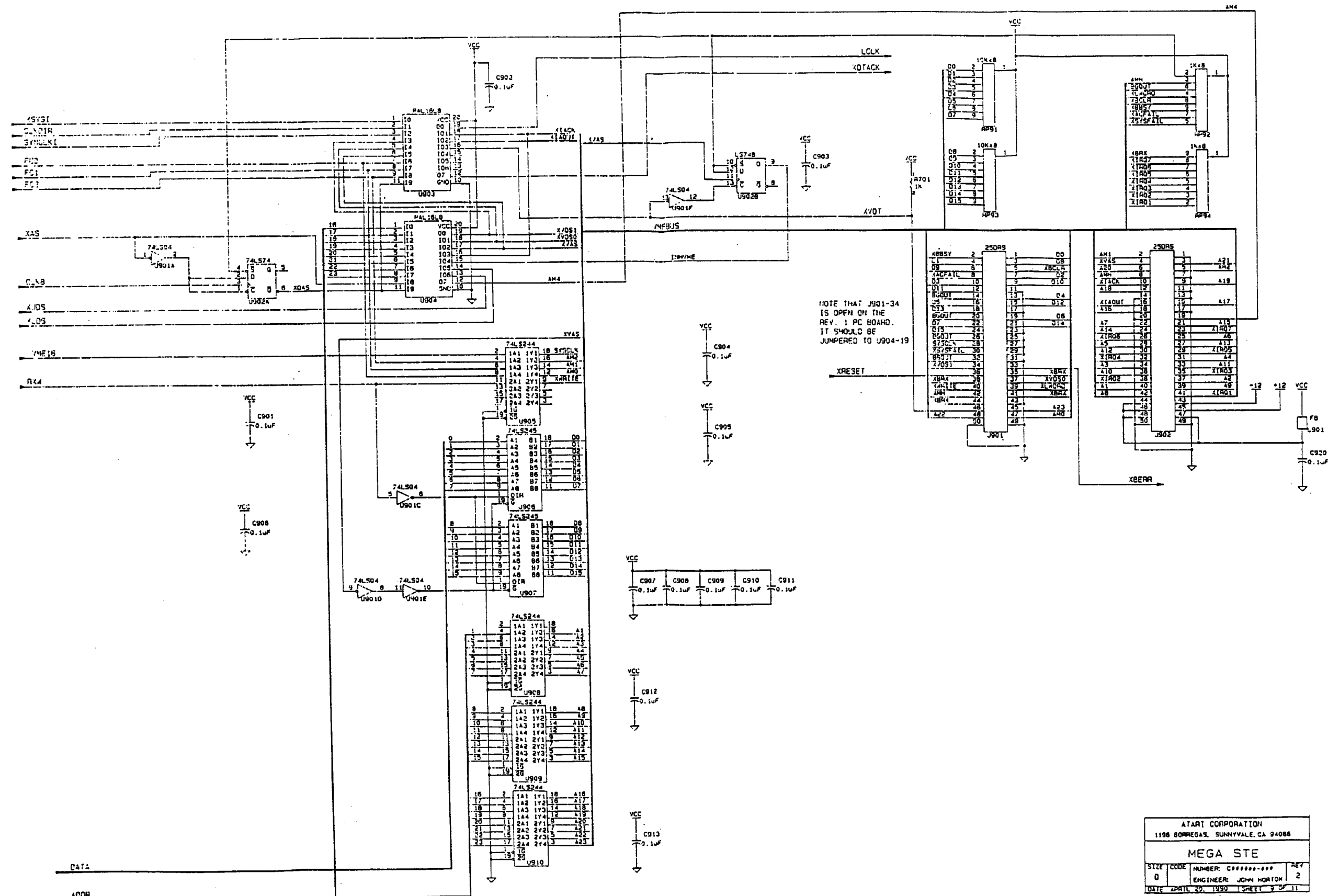
Atari Corporation			
1196 Borregas Ave. Sunnyvale, CA 94086			
MEGA STE			
SIZE	CODE	C#0000-000	REV
D		ENGINEER: JOHN HORTON	2
DATE	APRIL 20, 1990	SHEET	8 OF 11



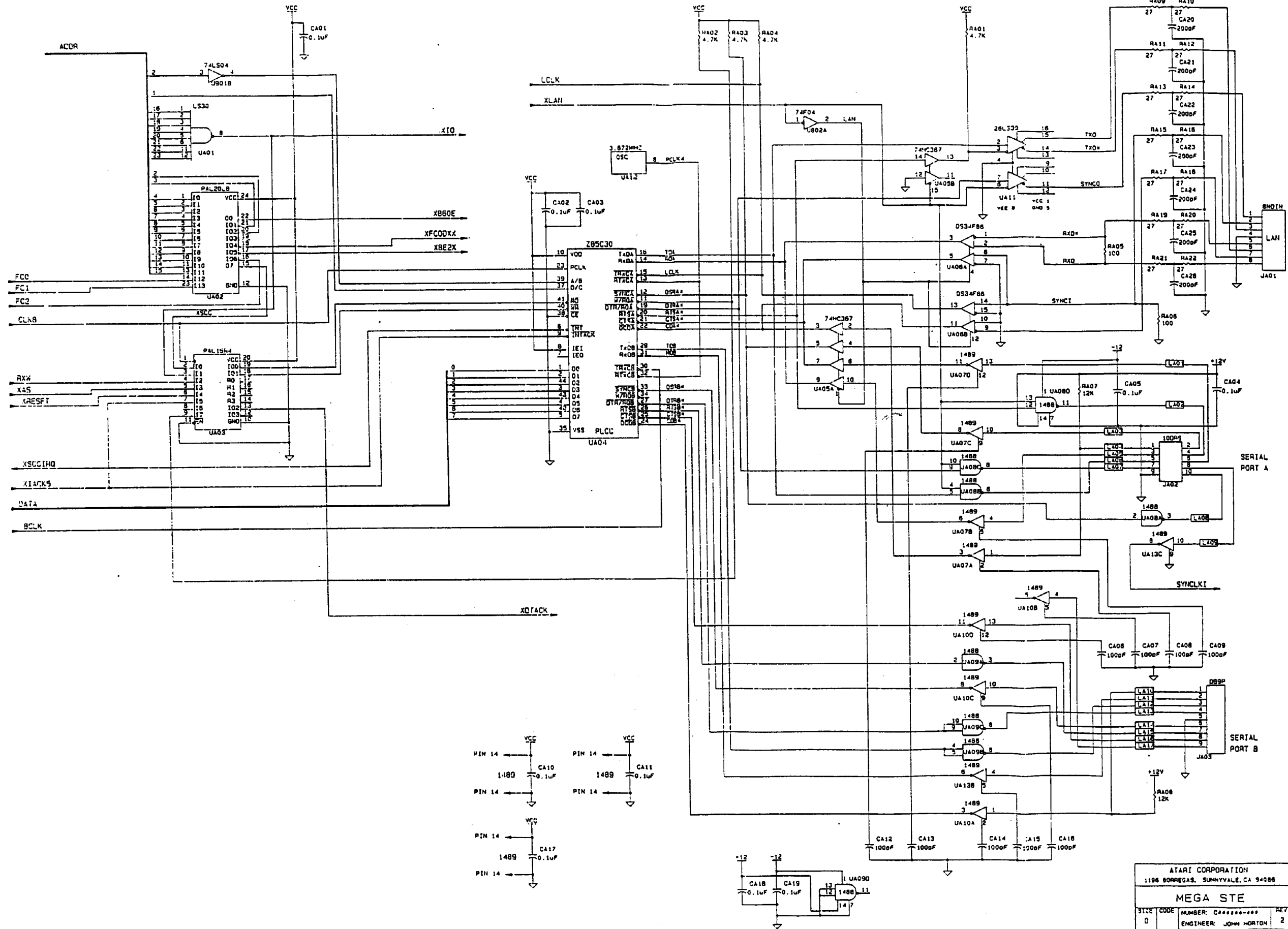
Atari Corporation			
1186 Borregas Ave. Sunnyvale, CA 94086			
MEGA STE			
SIZE	CODE	C00000-000	REV
D		ENGINEER: JOHN HORTON	2
DATE: APRIL 20, 1990		SHEET 7 of 11	



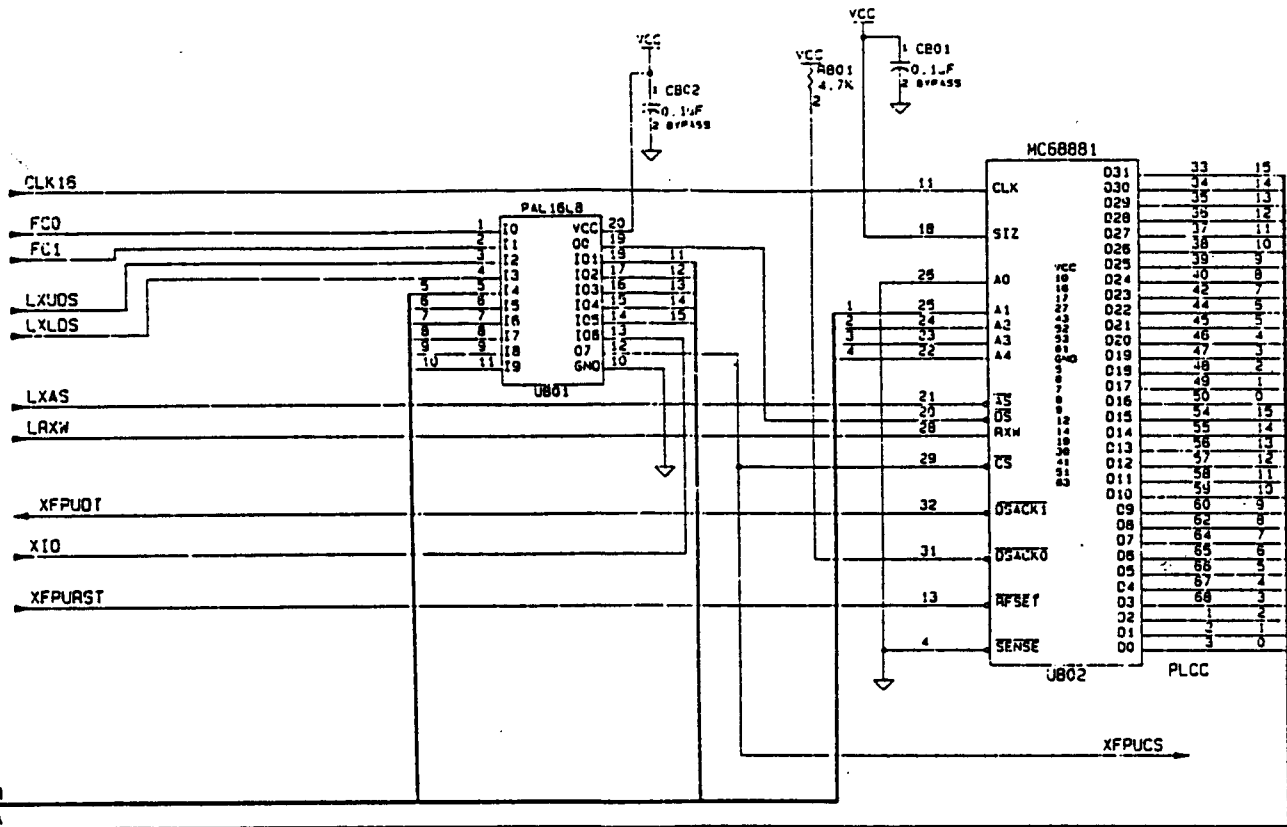
ATARI CORPORATION			
1198 BORREGAS, SUNNYVALE, CA 94088			
MEGA STE			
SIZE	CODE	NUMBER: C00000-000	REV
0		ENGINEER: JOHN MORTON	2
DATE: APRIL 25, 1990		SHEET 3 OF 11	



NOTE THAT J901-34 IS OPEN ON THE REV. 1 PC BOARD. IT SHOULD BE JUMPED TO U904-19



UB01 NEED NOT BE PRESENT IF UB02 IS NOT PRESENT



ATARI CORPORATION
1196 BORREGAS, SUNNYVALE, CA 94086

MEGA STE

SIZE	CODE	NUMBER: C00000-000	REV
0		ENGINEER: JOHN MORTON	2

DATE APRIL 20, 1990 SHEET 11 OF 11

