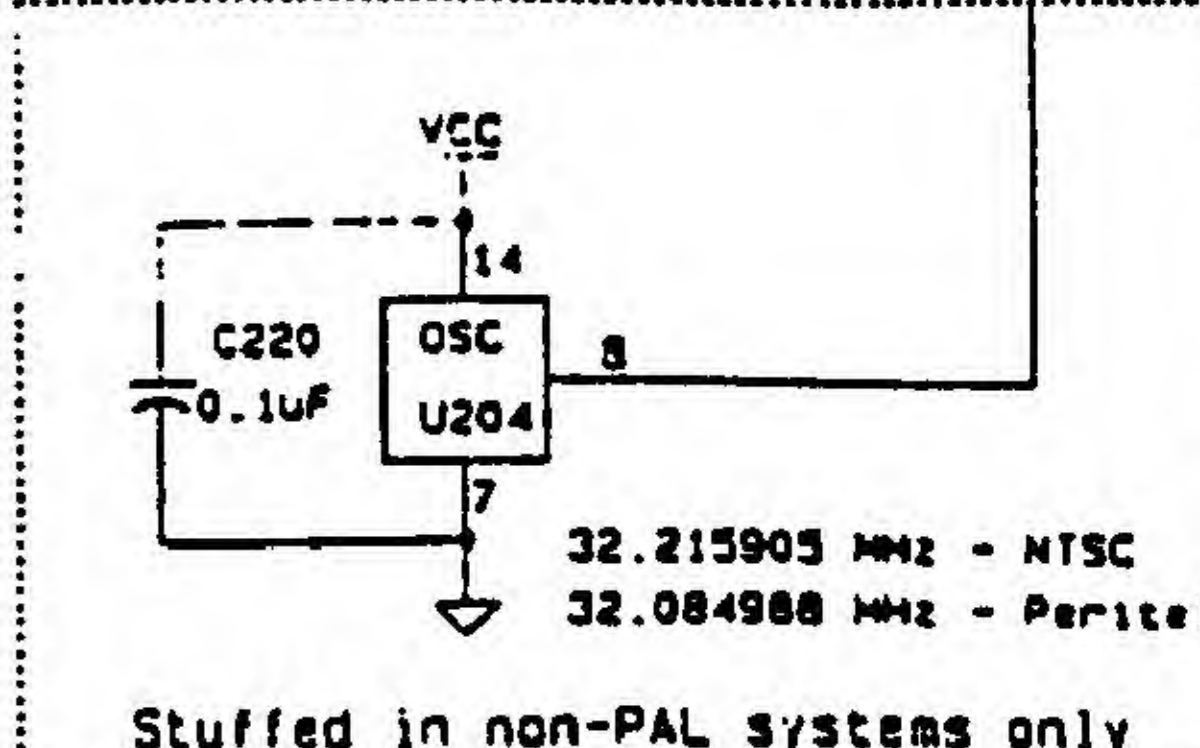
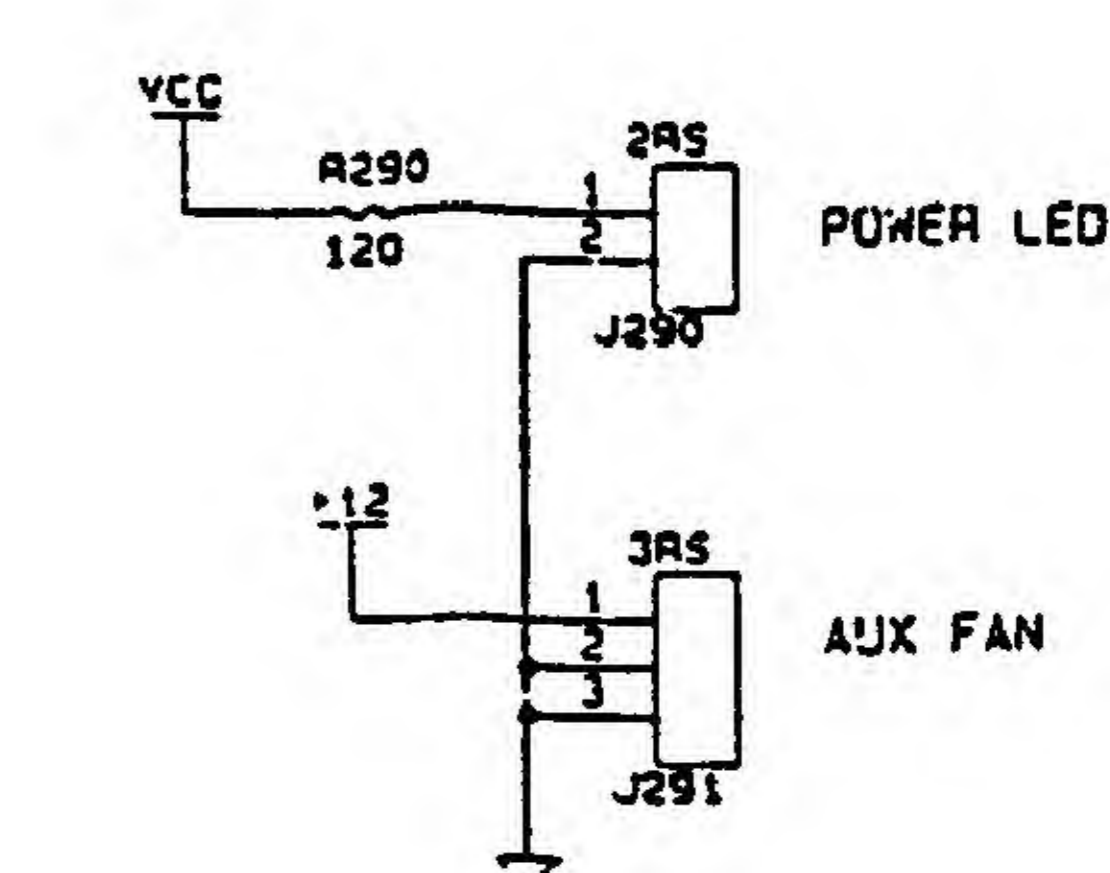
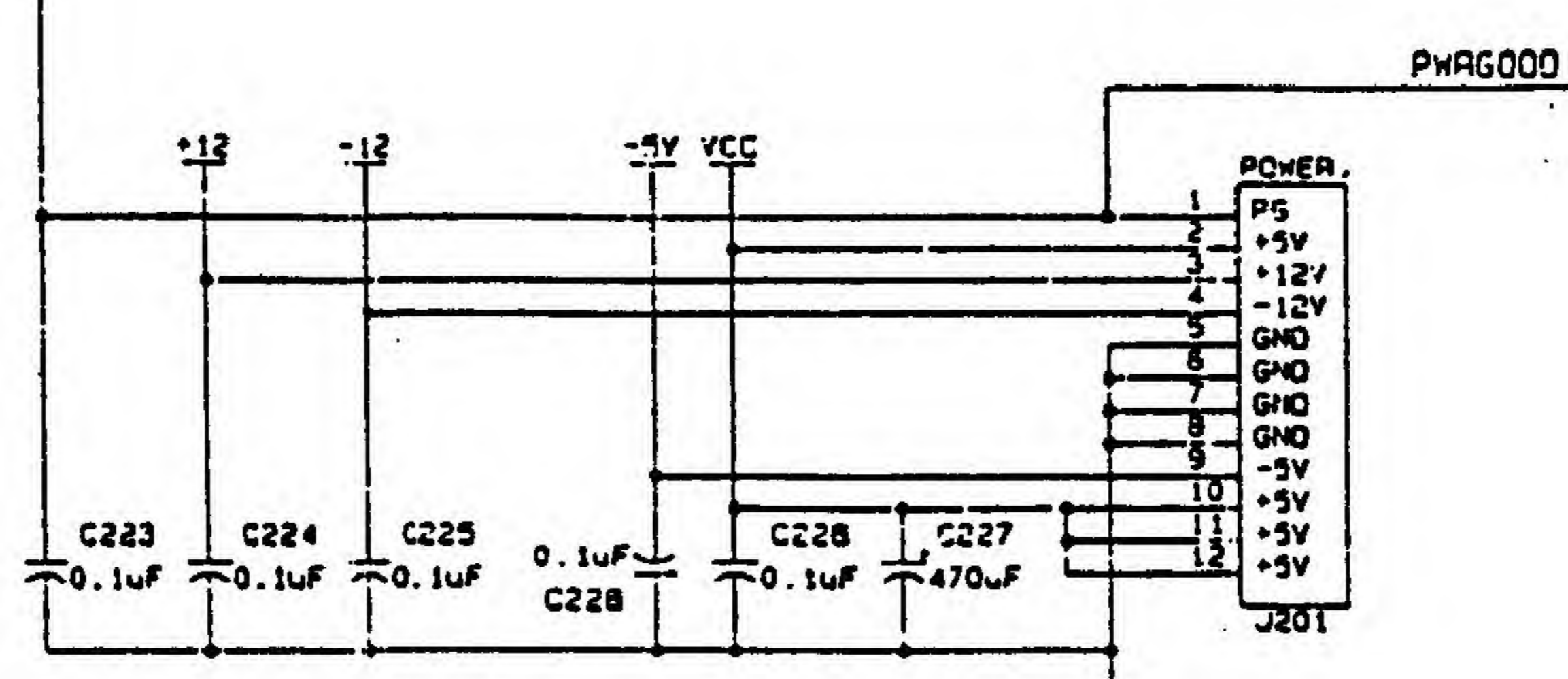
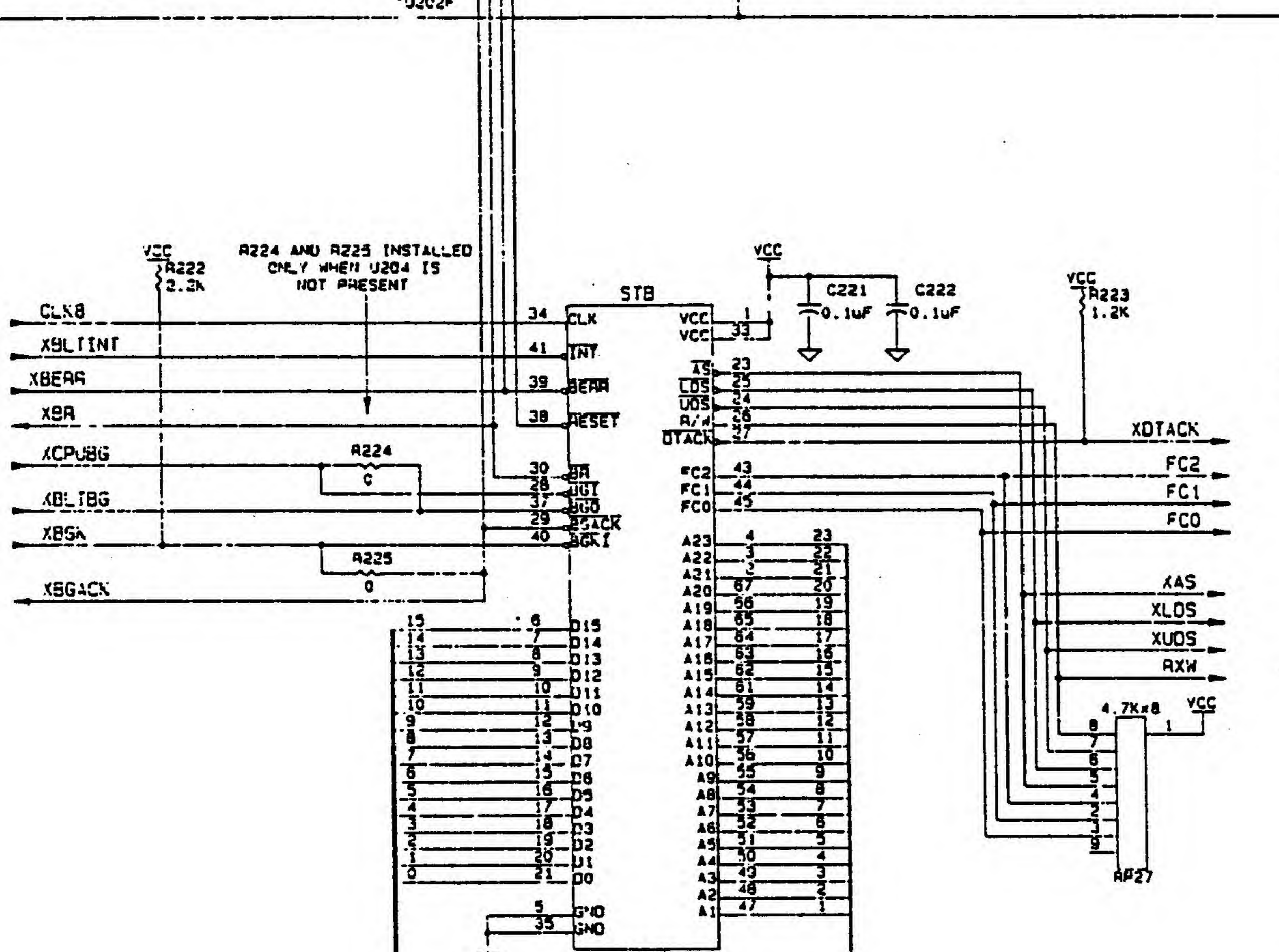


Stuffed in PAL systems only



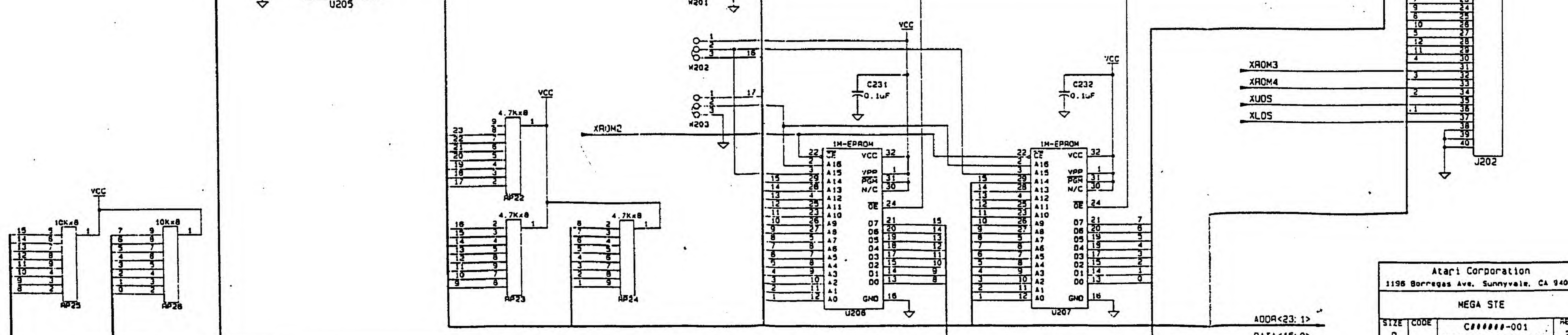
Stuffed in non-PAL systems only



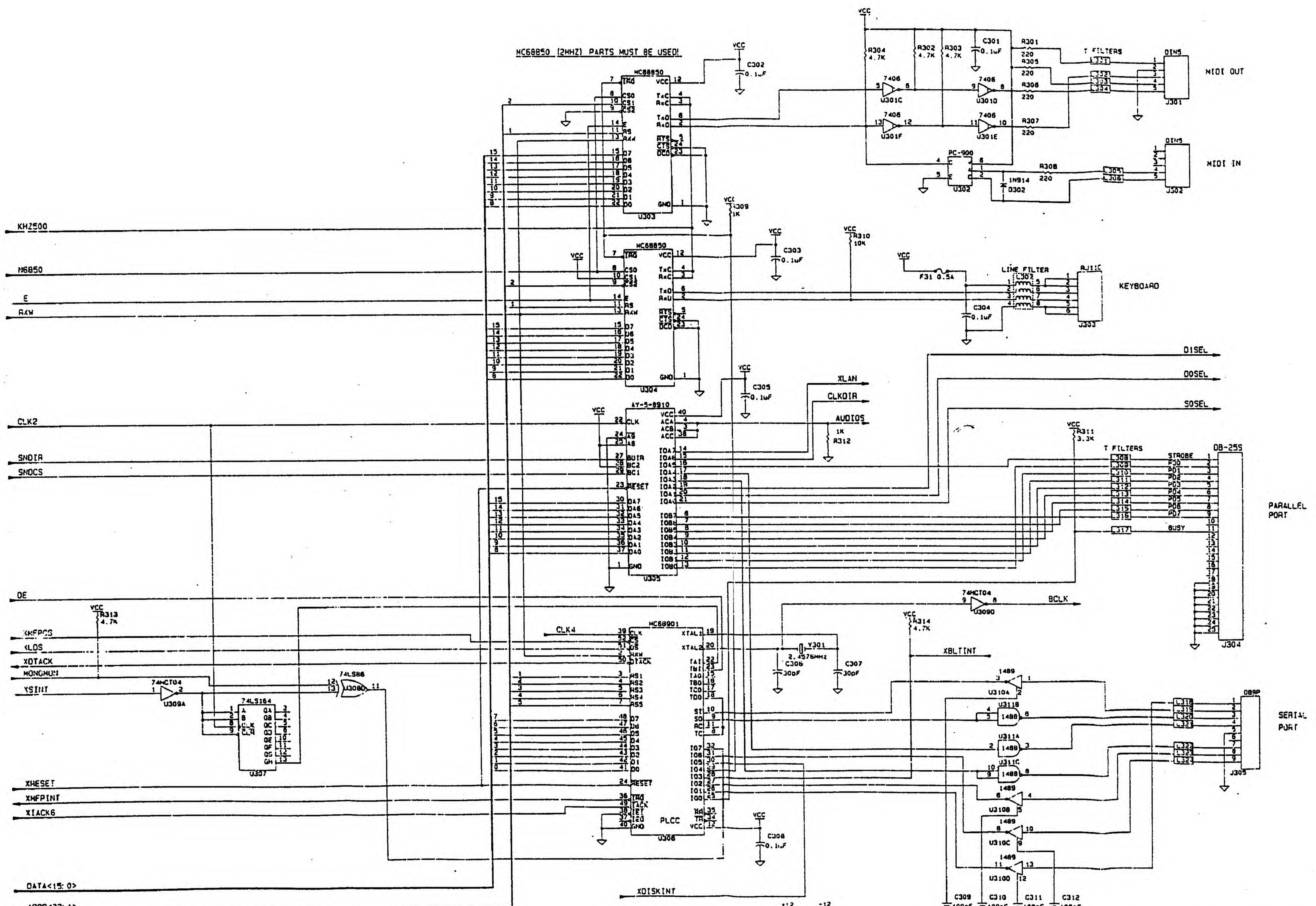
ROM jumper settings

Part Type	W201	W202	W203
27256	Don't Care	1 and 2	N/C
27512	2 and 3	2 and 3	N/C
571001/27C1000/531000	2 and 3	2 and 3	2 and 3
27010/571000/27C1001	1 and 2	2 and 3	1 and 2

Note: Jumpers are preset for 1M Roms
(See default settings below)



HC68850 (2MHZ) PARTS MUST BE USED!



KH2500

M6850

E

RAW

CLK2

SNDIR

SNDCS

DE

KMFPCS

KLOS

XDTACK

HONGMUM

YSINT

XHESET

XMFPIAT

XIACK6

DATA<15: 0>

ADDR<23: 1>

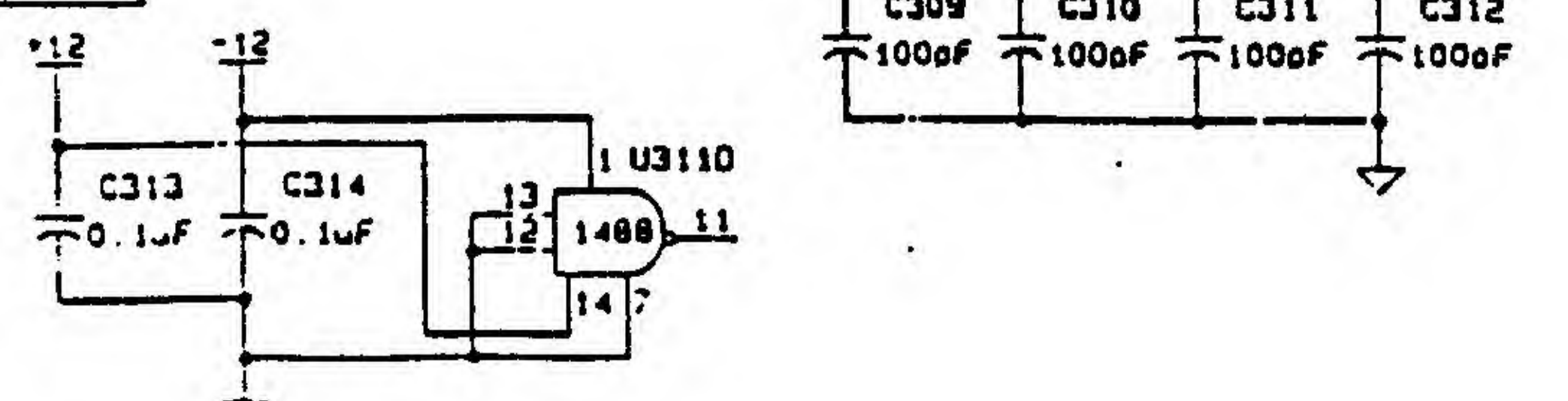
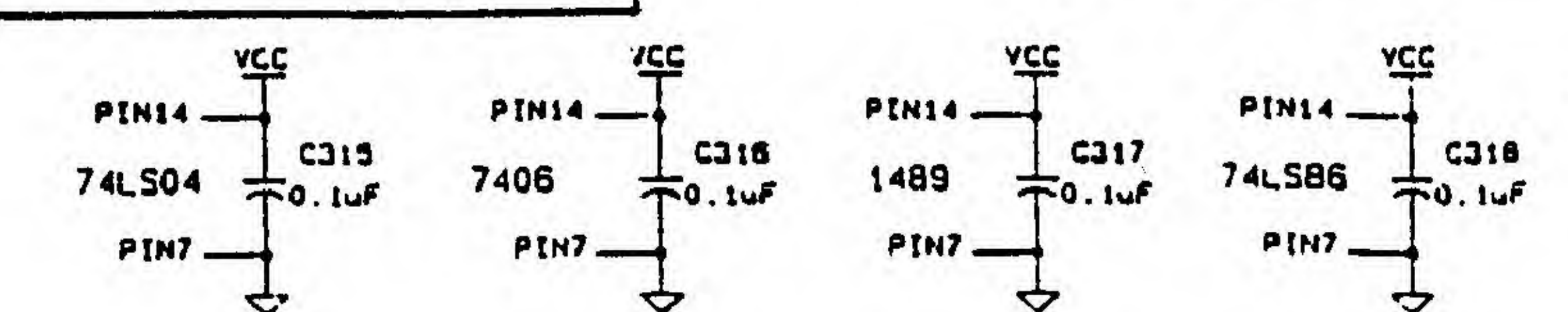
MIDI OUT

MIDI IN

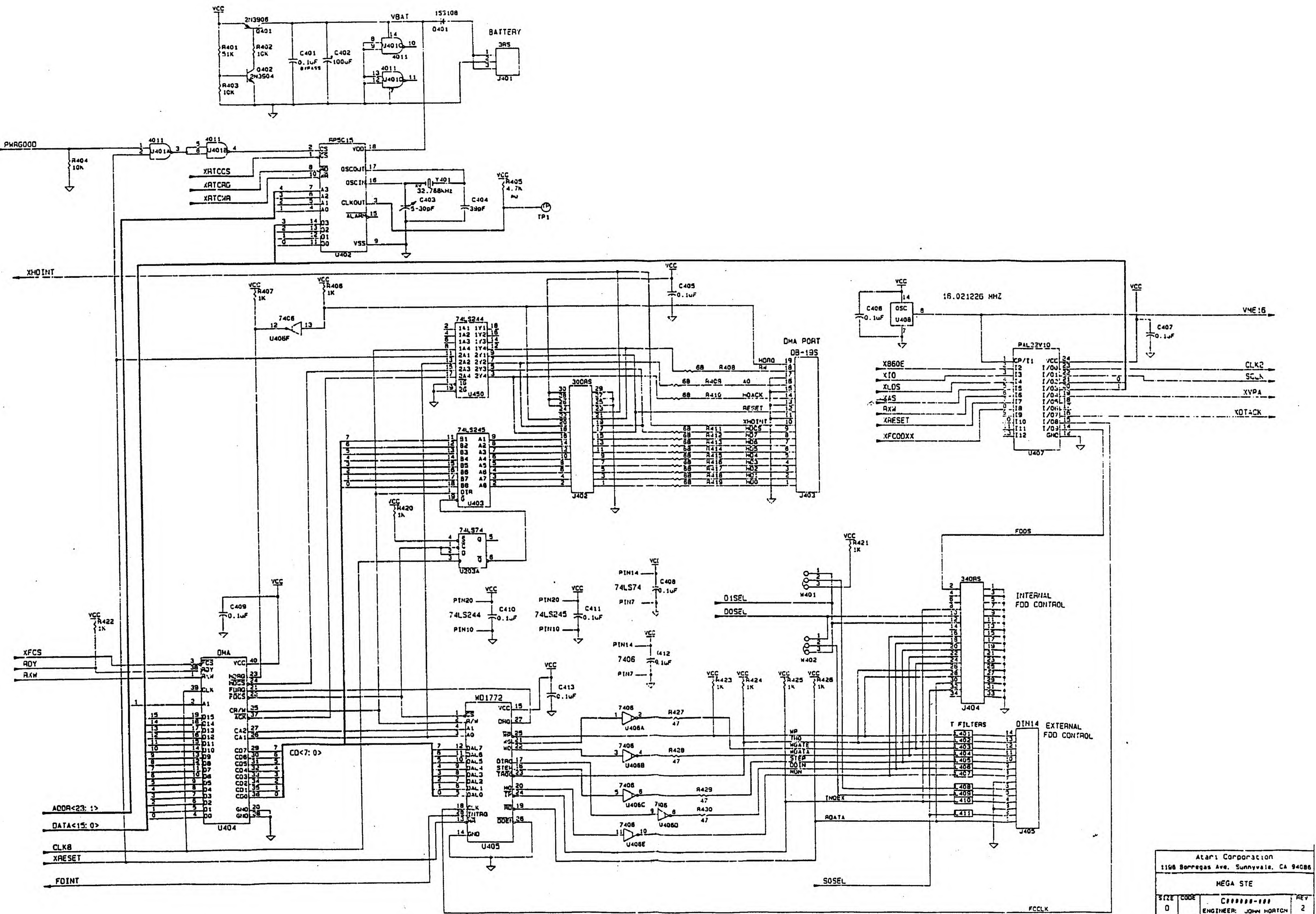
KEYBOARD

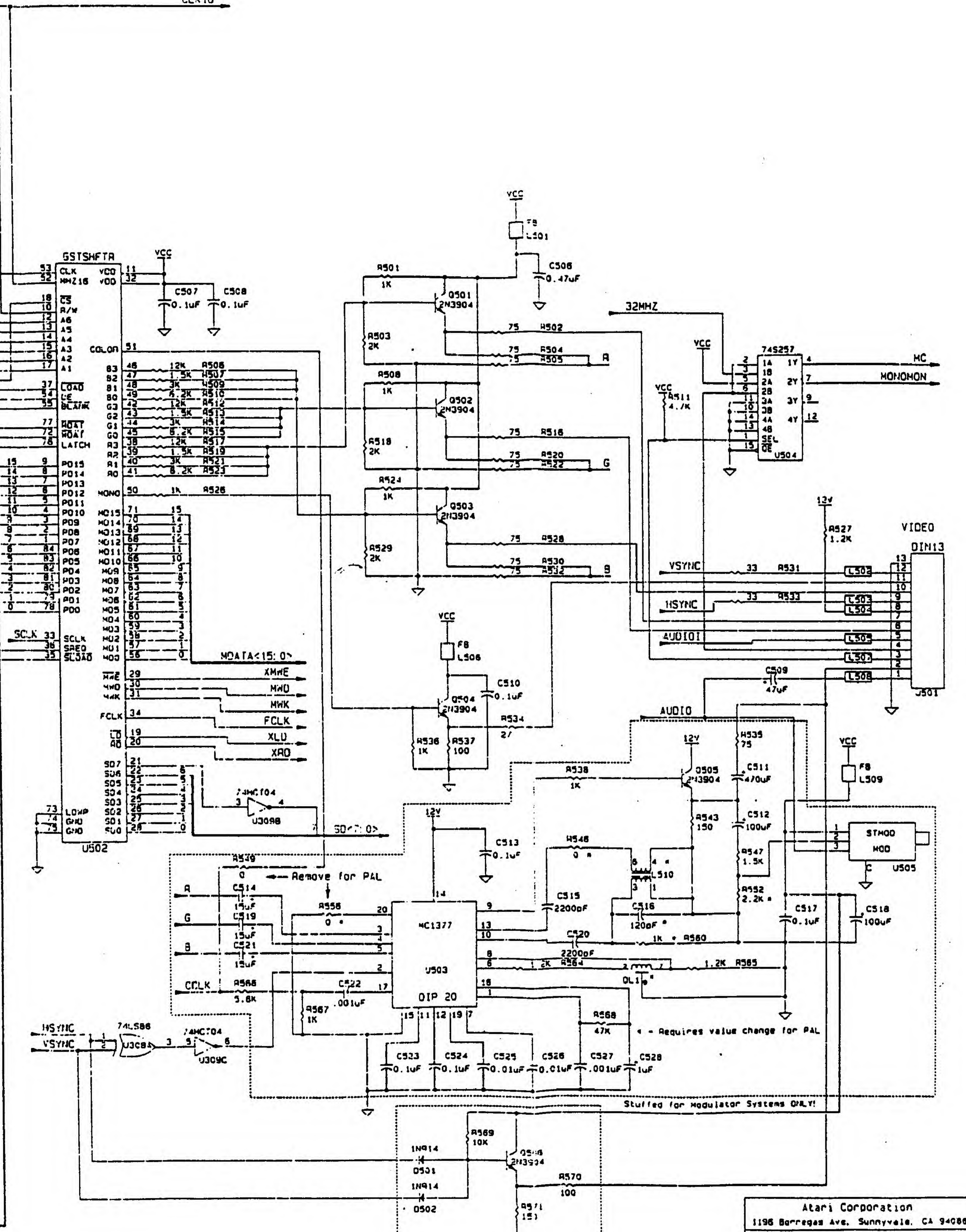
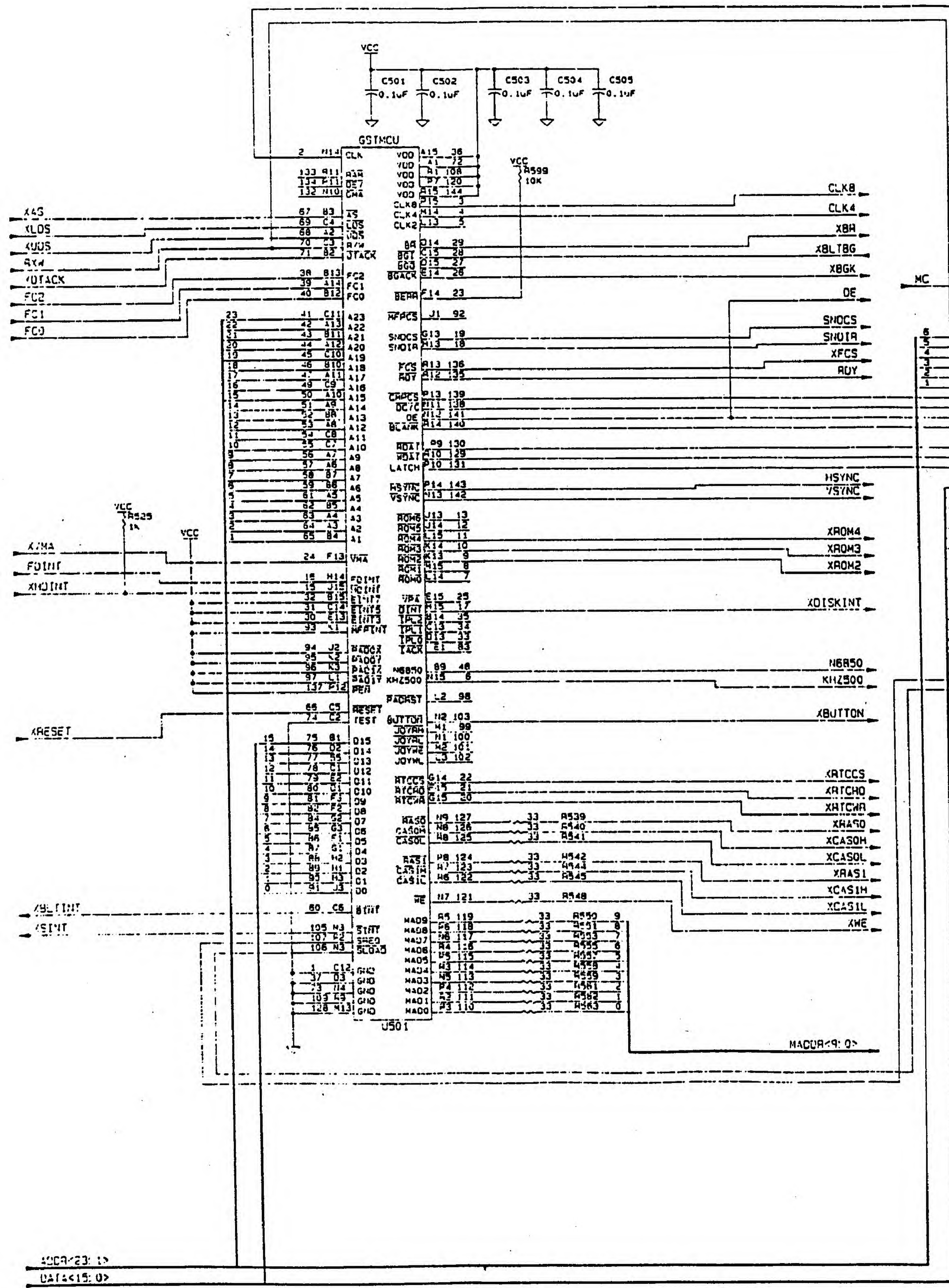
PARALLEL PORT

SERIAL PORT



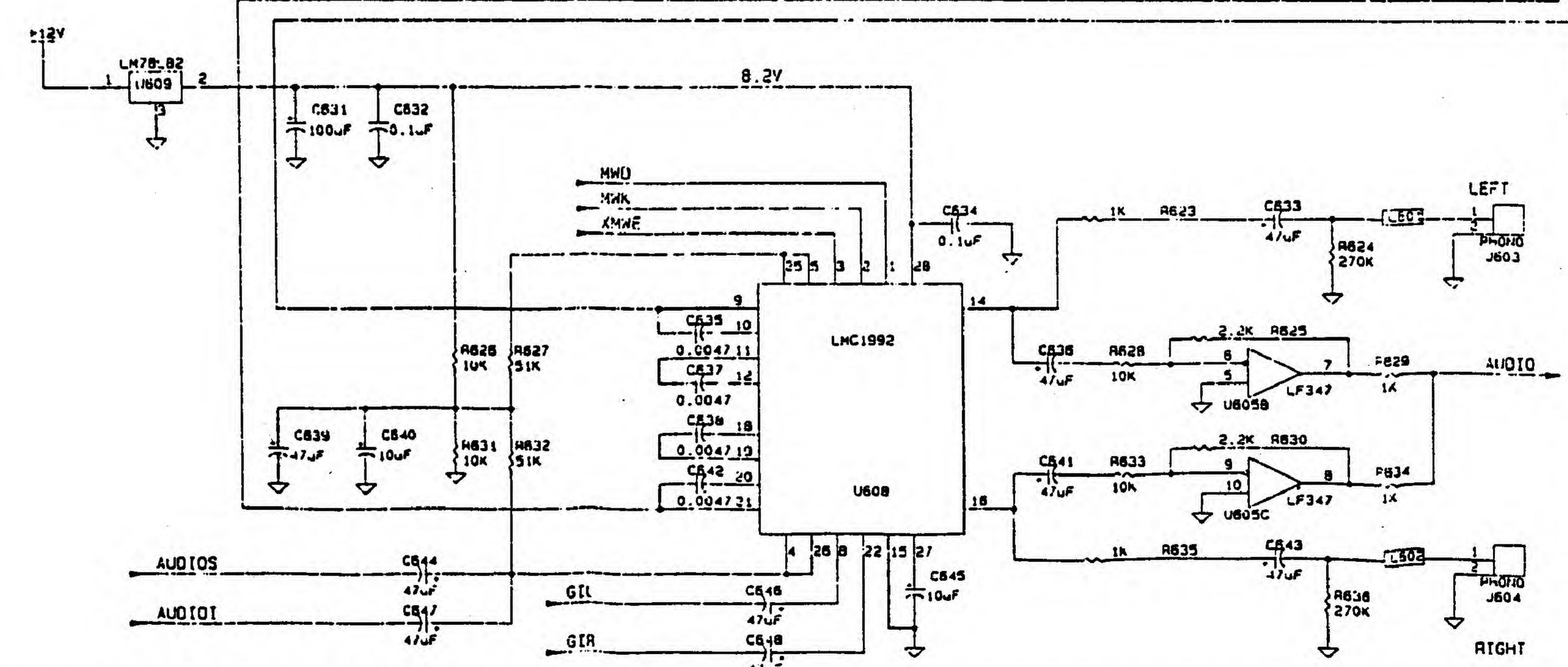
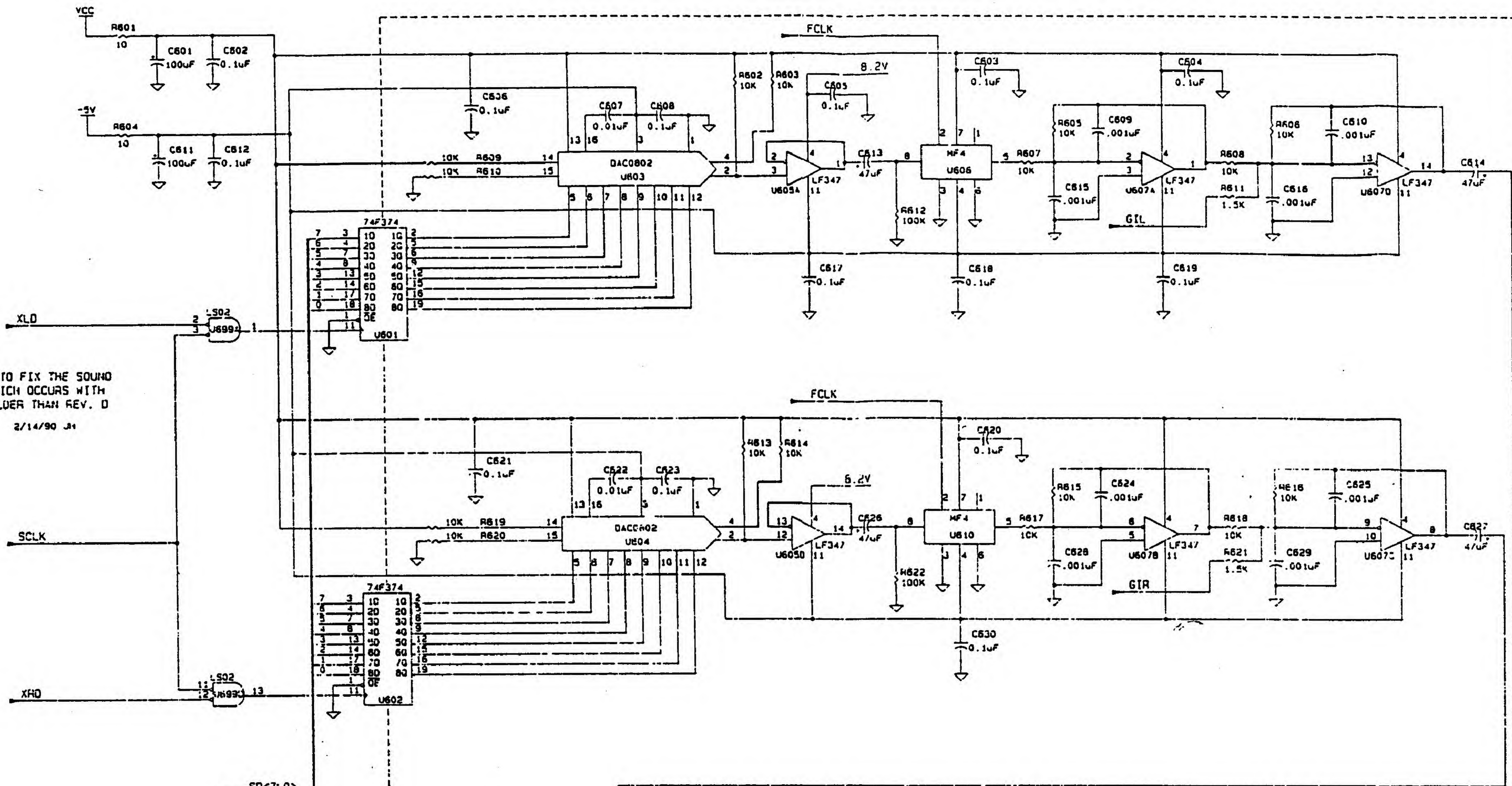
Atari Corporation			
1196 Borregas Ave. Sunnyvale, CA 94088			
MEGA STE			
SIZE	CODE	C#0000-100	REV
0		ENGINEER: JOHN HORTON	2
DATE	APRIL 20, 1990	SHEET	3 of 11



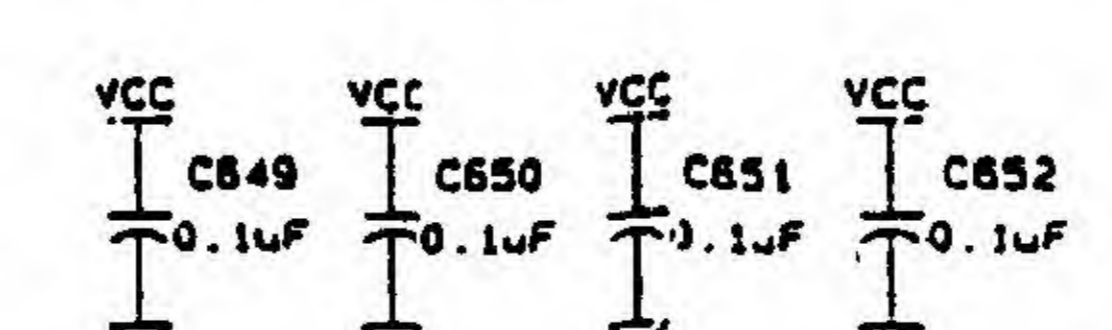


4009-23: 1
DATA<15:0>

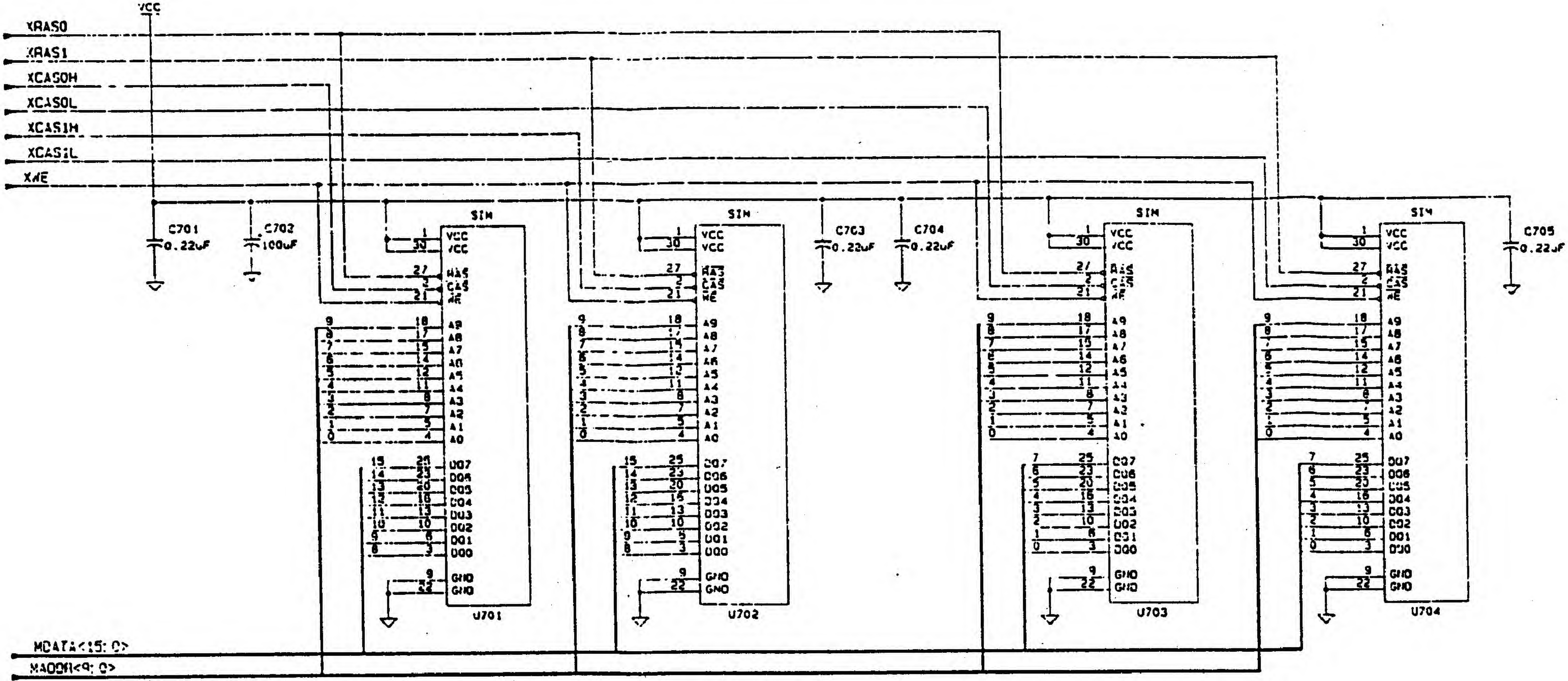
THE 74LS02 WAS ADDED TO FIX THE SOUND DATA HOLD PROBLEM WHICH OCCURS WITH ST-4117 (SHIFTERS) OLDER THAN REV. D
2/14/90 JA



Ground Plane This Area

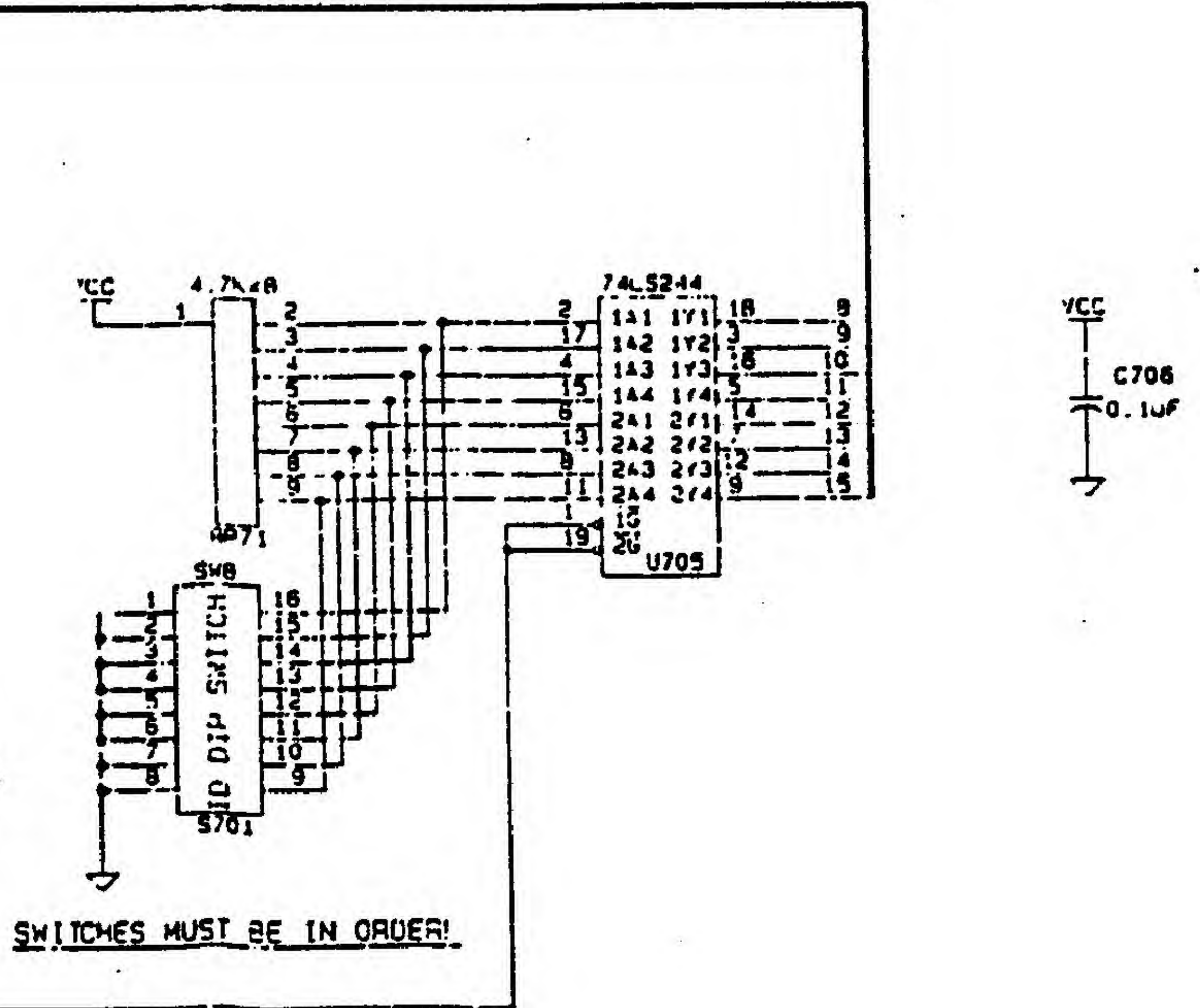


Atari Corporation			
1196 Borregas Ave. Sunnyvale, CA 94086			
MEGA STE			
SIZE	CODE	C00000-000	REV
0		ENGINEER: JOHN HORTON	2
DATE	APRIL 20, 1990	SHEET	8 of 11



DATA<15: 0>

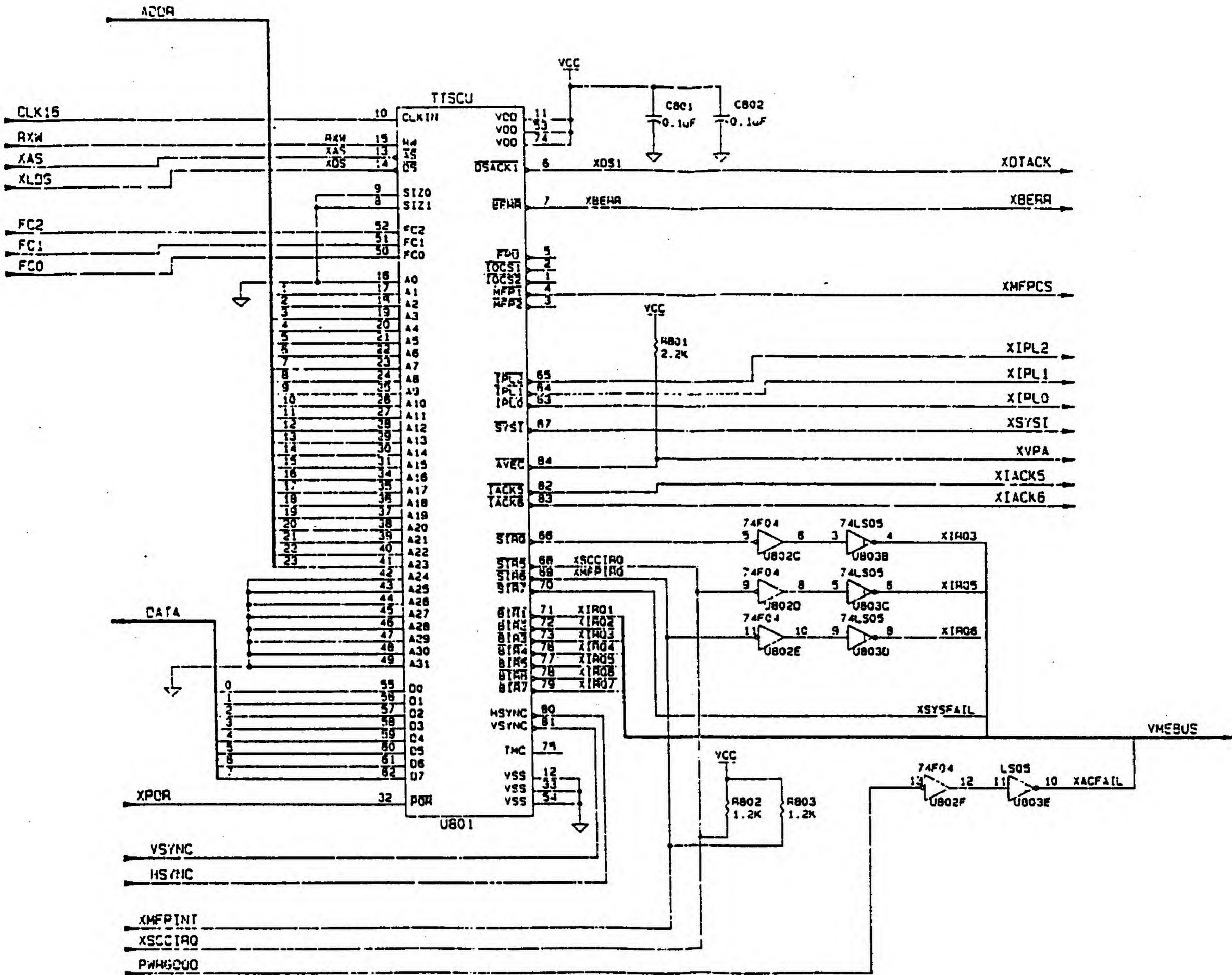
7 = Enable HD-drive (1.44MB)

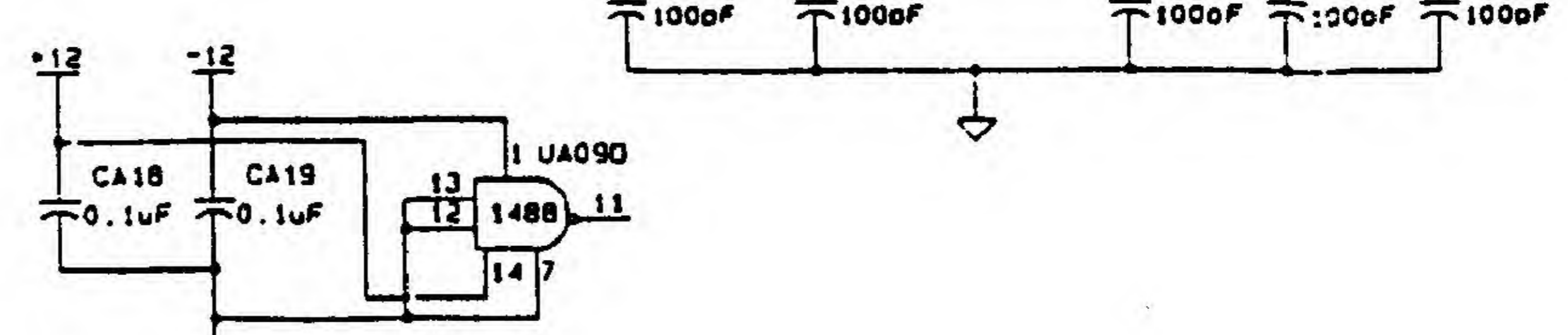
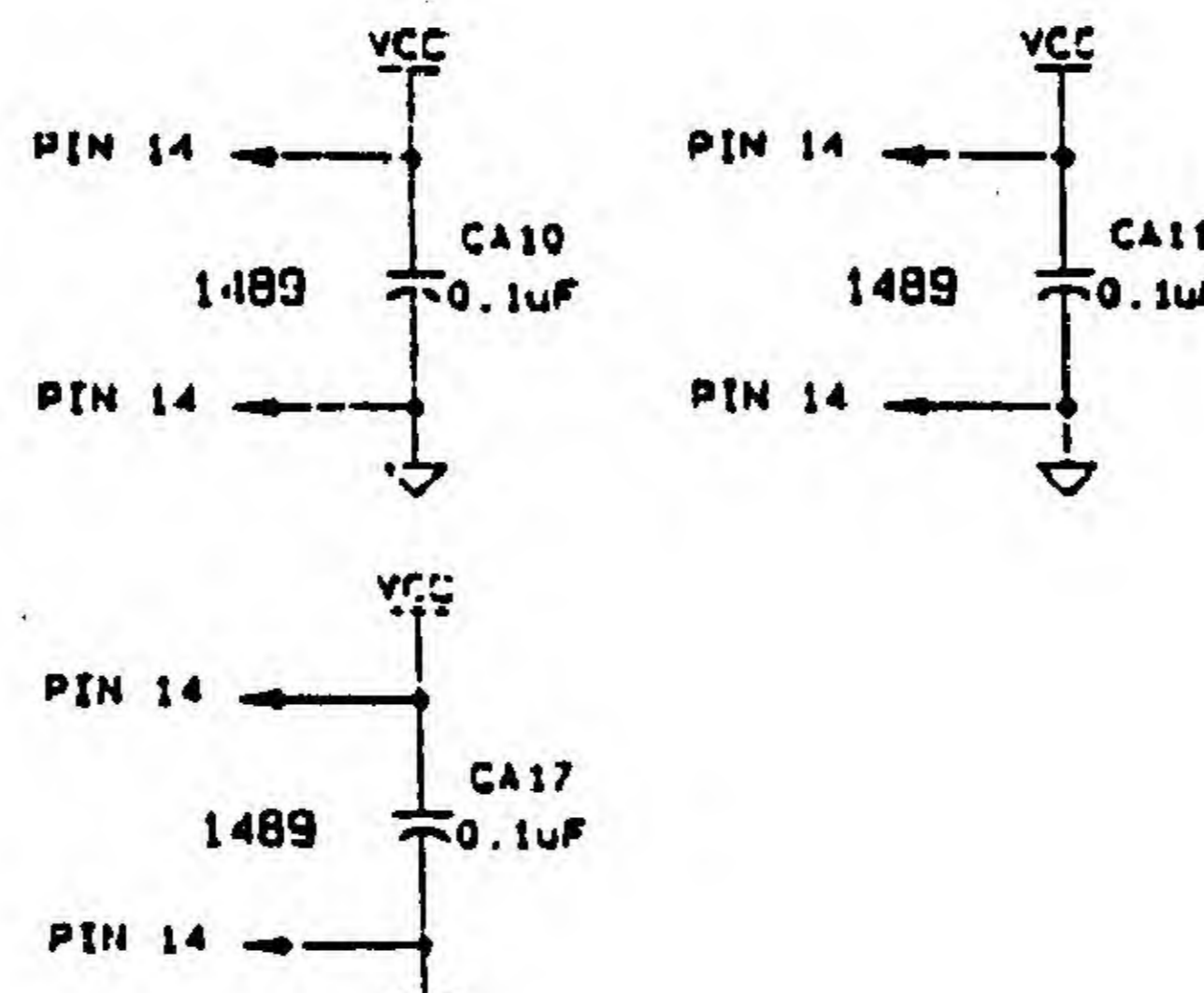
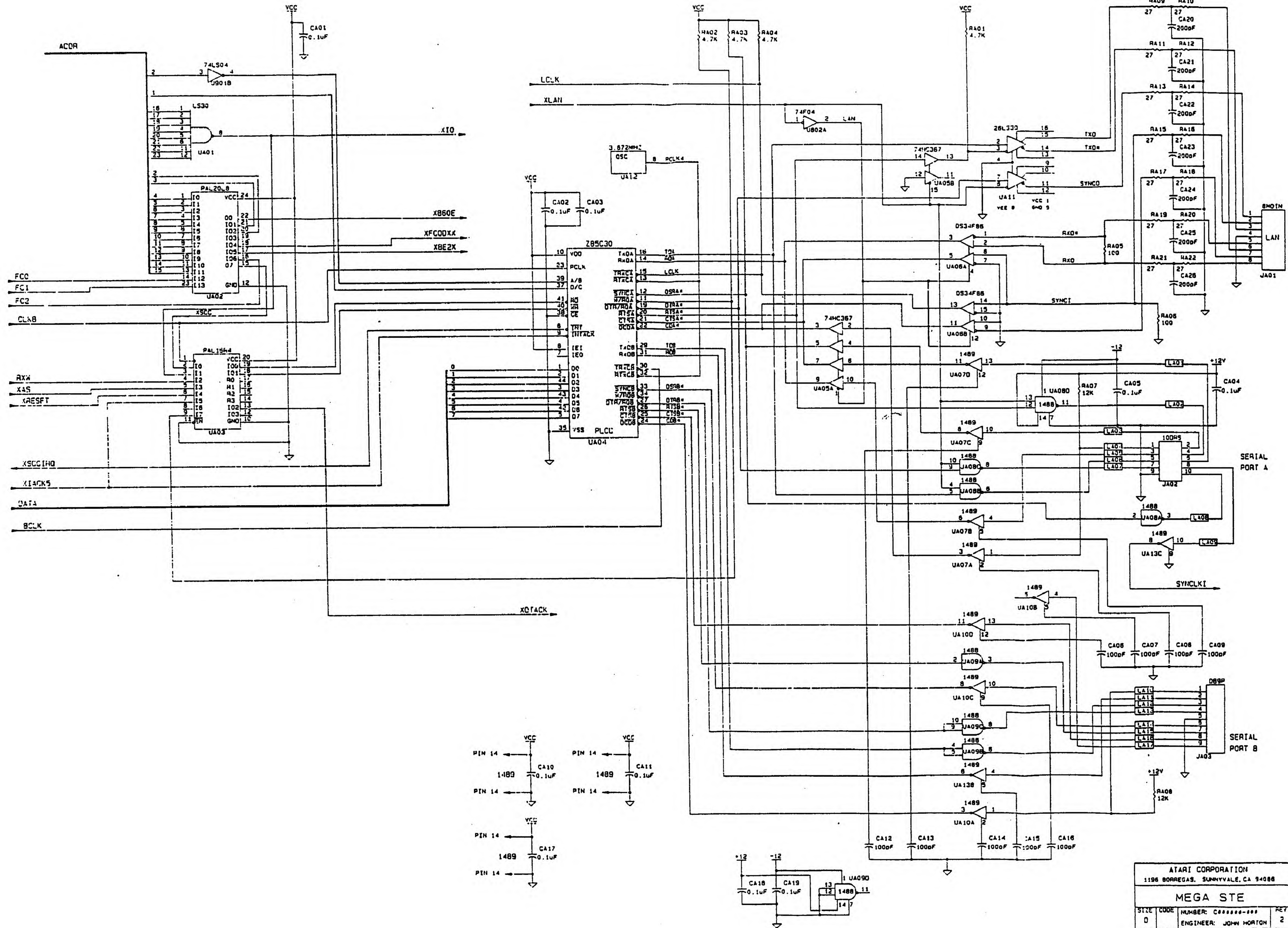


SWITCHES MUST BE IN ORDER!

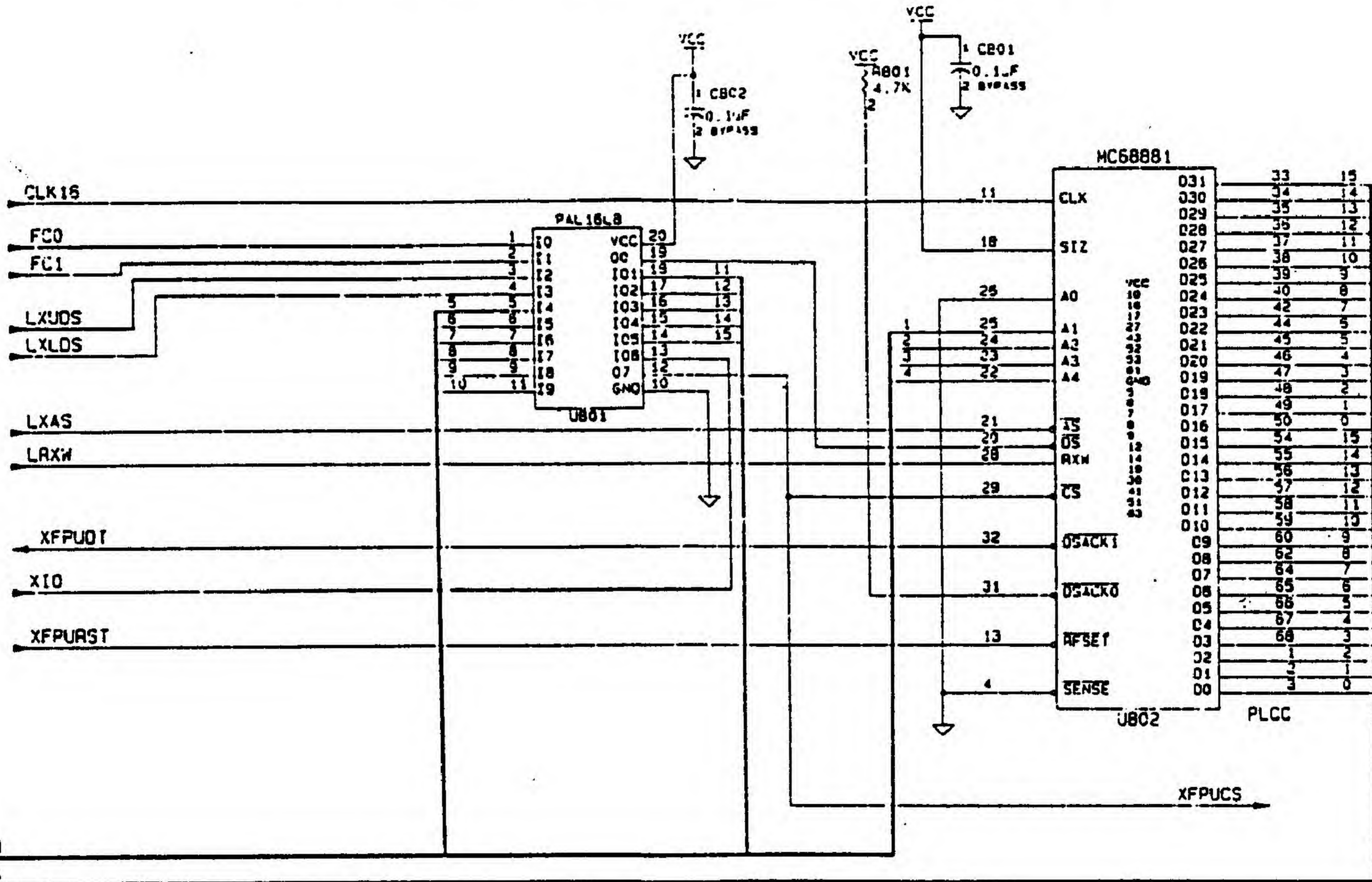
XBUTTON

Atari Corporation			
1196 Borregas Ave. Sunnyvale, CA 94086			
MEGA STE			
SIZE	CODE	C110000-000	REV
0		ENGINEER: JOHN MORTON	2
DATE APRIL 20, 1990		SHEET 7 of 11	

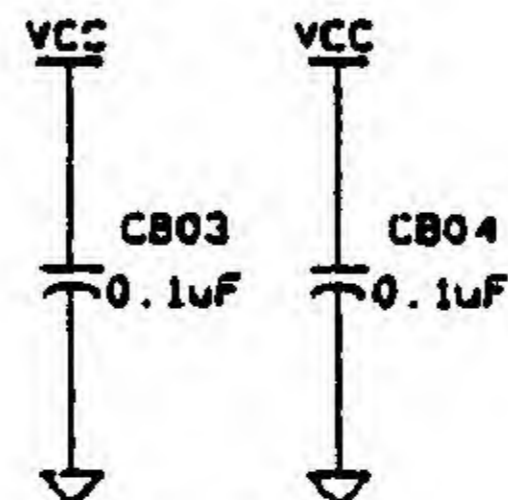




UB01 NEED NOT BE INSTALLED IF UB02 IS NOT PRESENT



ADDR
DATA



ATARI CORPORATION			
1196 BORREGAS, SUNNYVALE, CA 94086			
MEGA STE			
SIZE	CODE	NUMBER: C000000-000	REV
0		ENGINEER: JOHN HORTON	2
DATE APRIL 20, 1990 SHEET 11 OF 11			