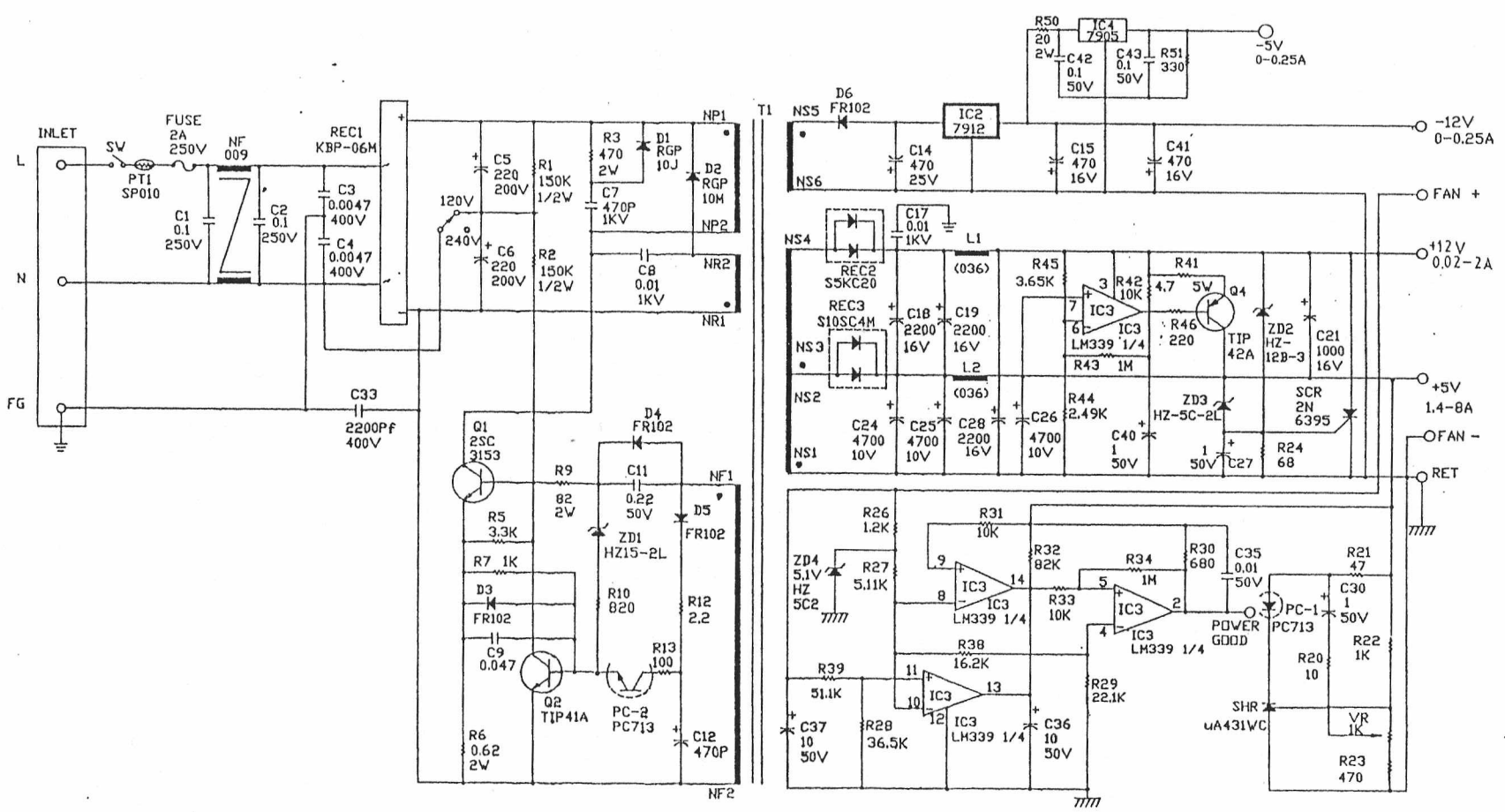


8.4.07



飛宏企業股份有限公司  
PHIHONG ENTERPRISE CO., LTD.

REVISIONS	
PRELIMINARY	78.3.10
CHECK & ISSUE	78.8.7
Amy CHEN	

- GENERAL NOTES
- ALL RESISTORS ARE 1/4W ±5% UNLESS OTHERWISE INDICATED.
  - ALL RESISTORS ARE IN OHM & CAPACITORS ARE IN UF UNLESS OTHERWISE INDICATED

MODEL	PSM-7204	
DRAWN	AMY CHEN	78.3.10
DESIGN	Shander 3/10/78	
CHECKED	[Signature]	
APPROVED	[Signature]	
DRAWING NO.	REV.	
PES-30302	0	