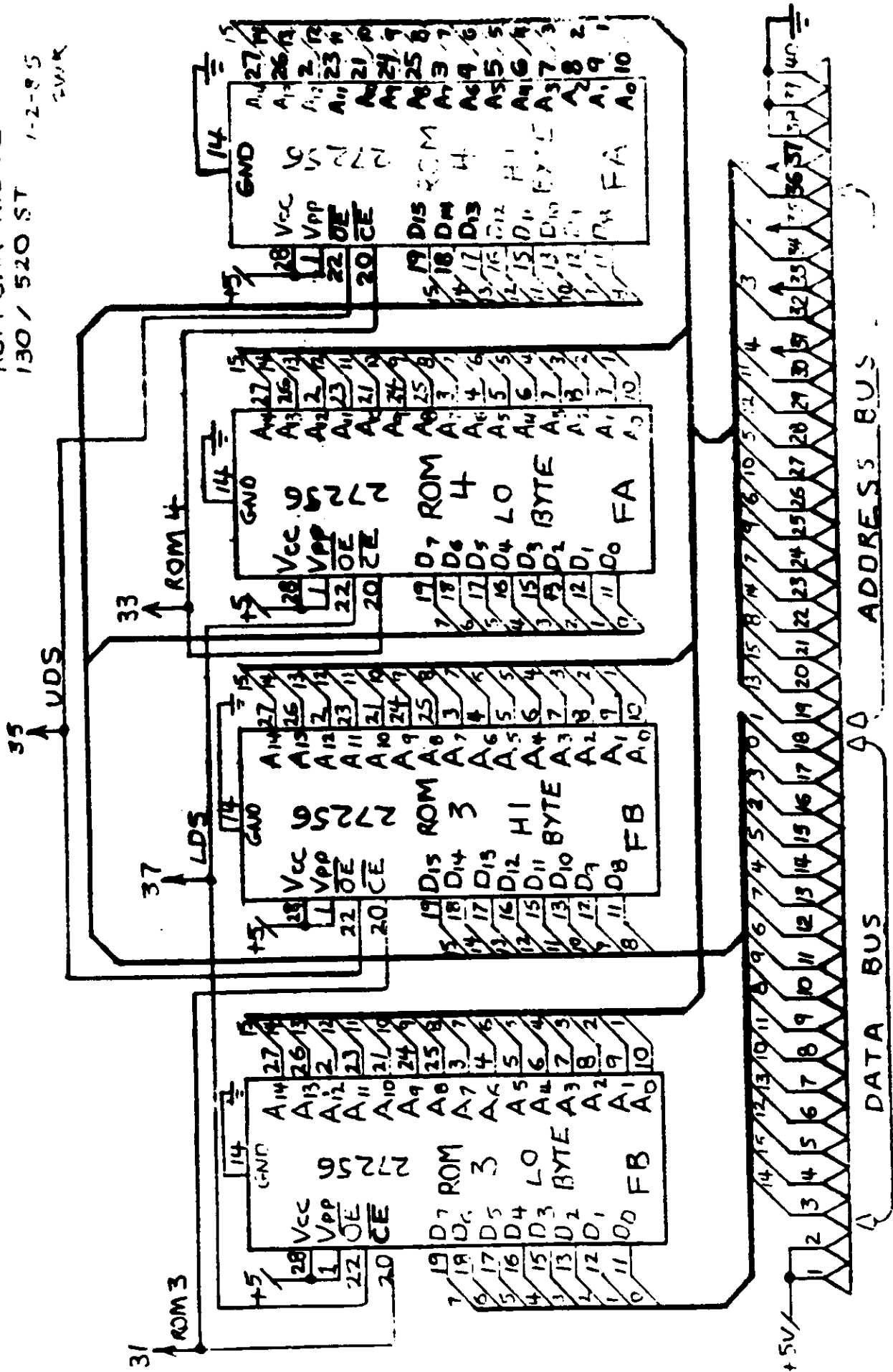
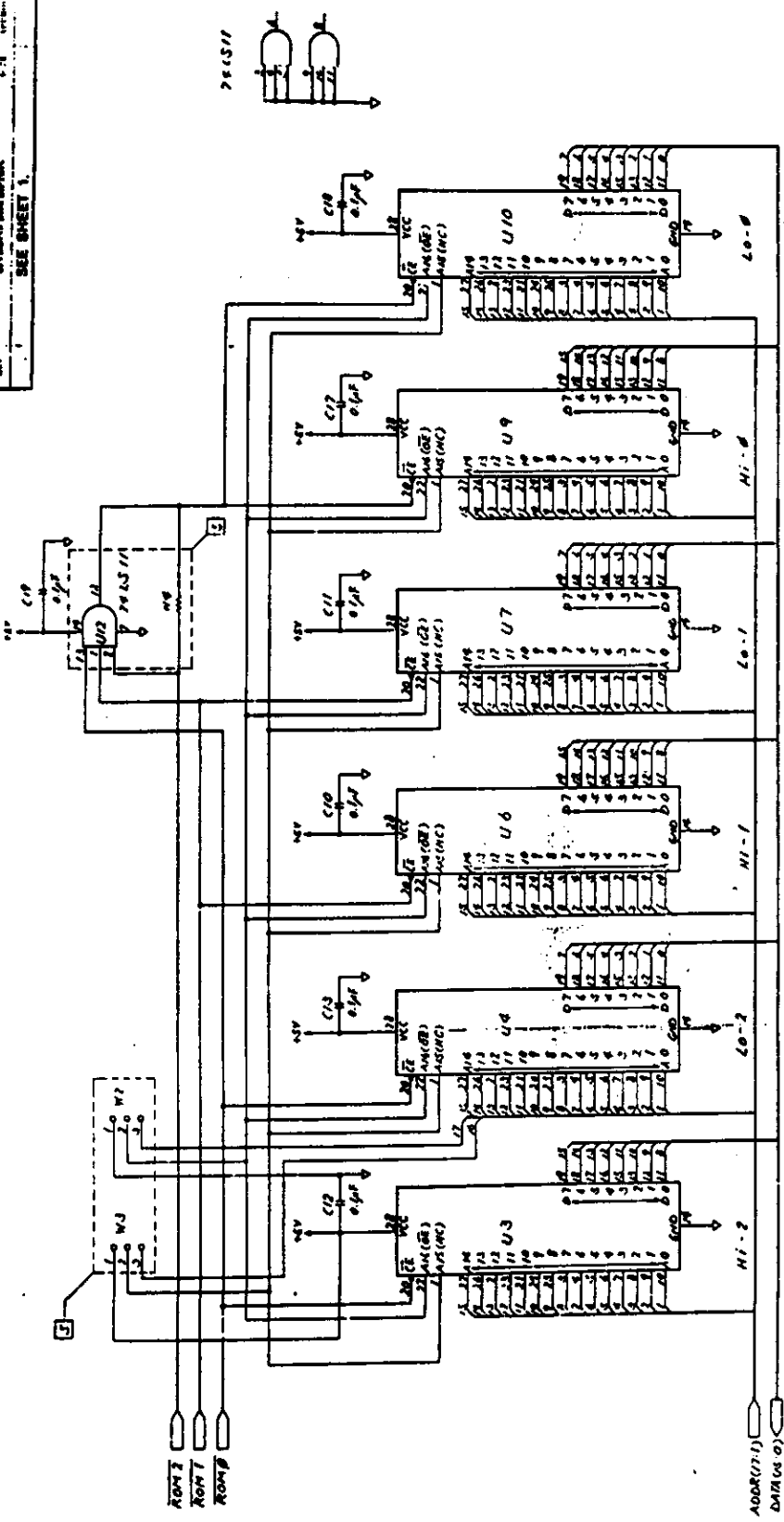


128 K BYTE
ROM CARTRIDGE
130 / 520 ST
1-2-85
2V1K





ROM TABLE

IC : U12 (74LS11)
 JUMPER : W2, W3, W4

ROM	LOCATION			U12
	W2	W3	W4	
J56K	1-2	1-2	JUMPER	NO USE
IM 2 2	2-3	2-3	NOM	USE

NOTES - UNLESS OTHERWISE SPECIFIED :

ATARI LAMPSON CORPORATION
 10000 NE 28th Street, Redmond, Oregon 97053
 503-752-8000
SCHEMATIC DIAGRAM
MEGA MEGA 4
C100166
 DATE 11/08/86
 BY 5/10/87