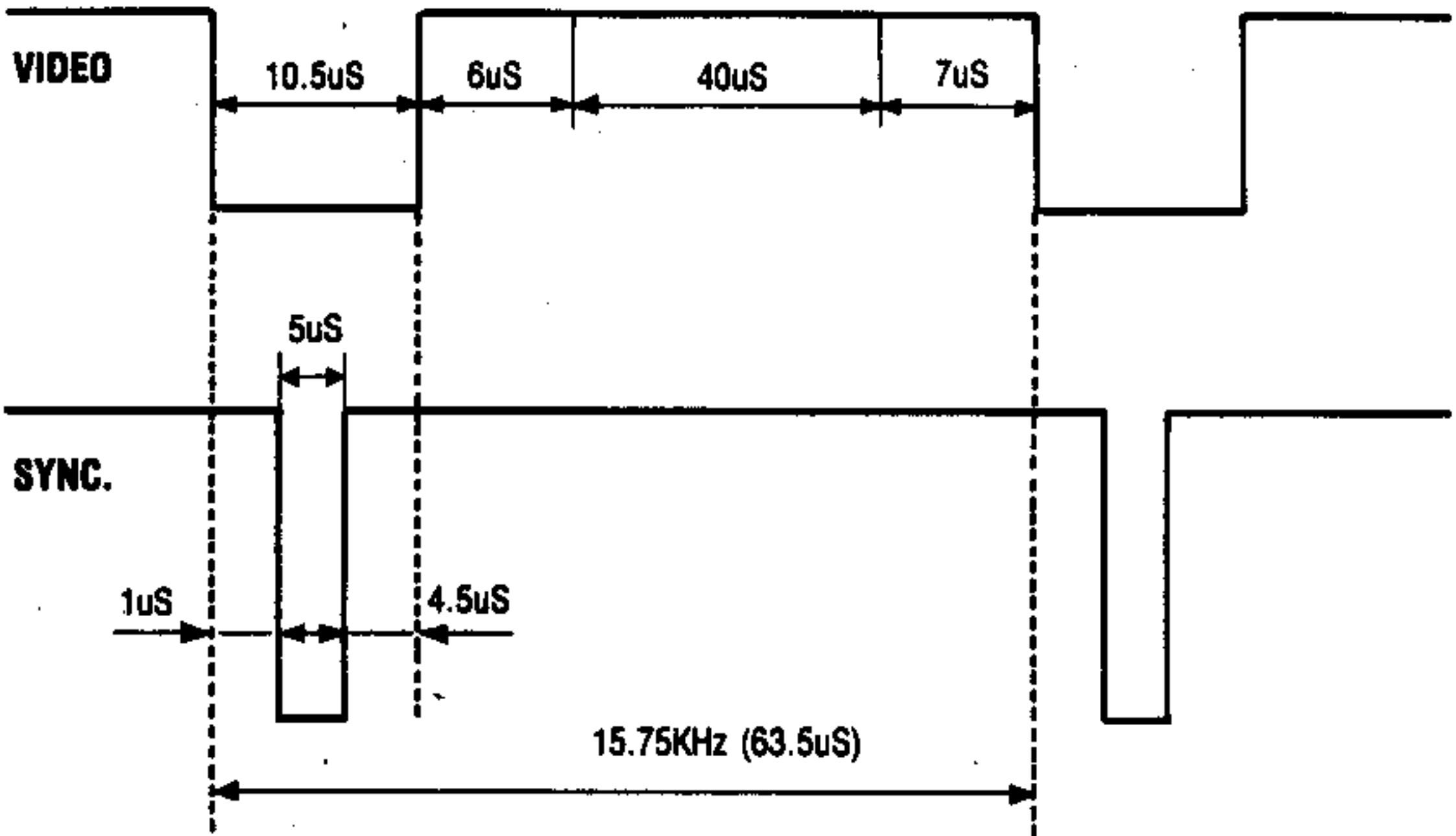
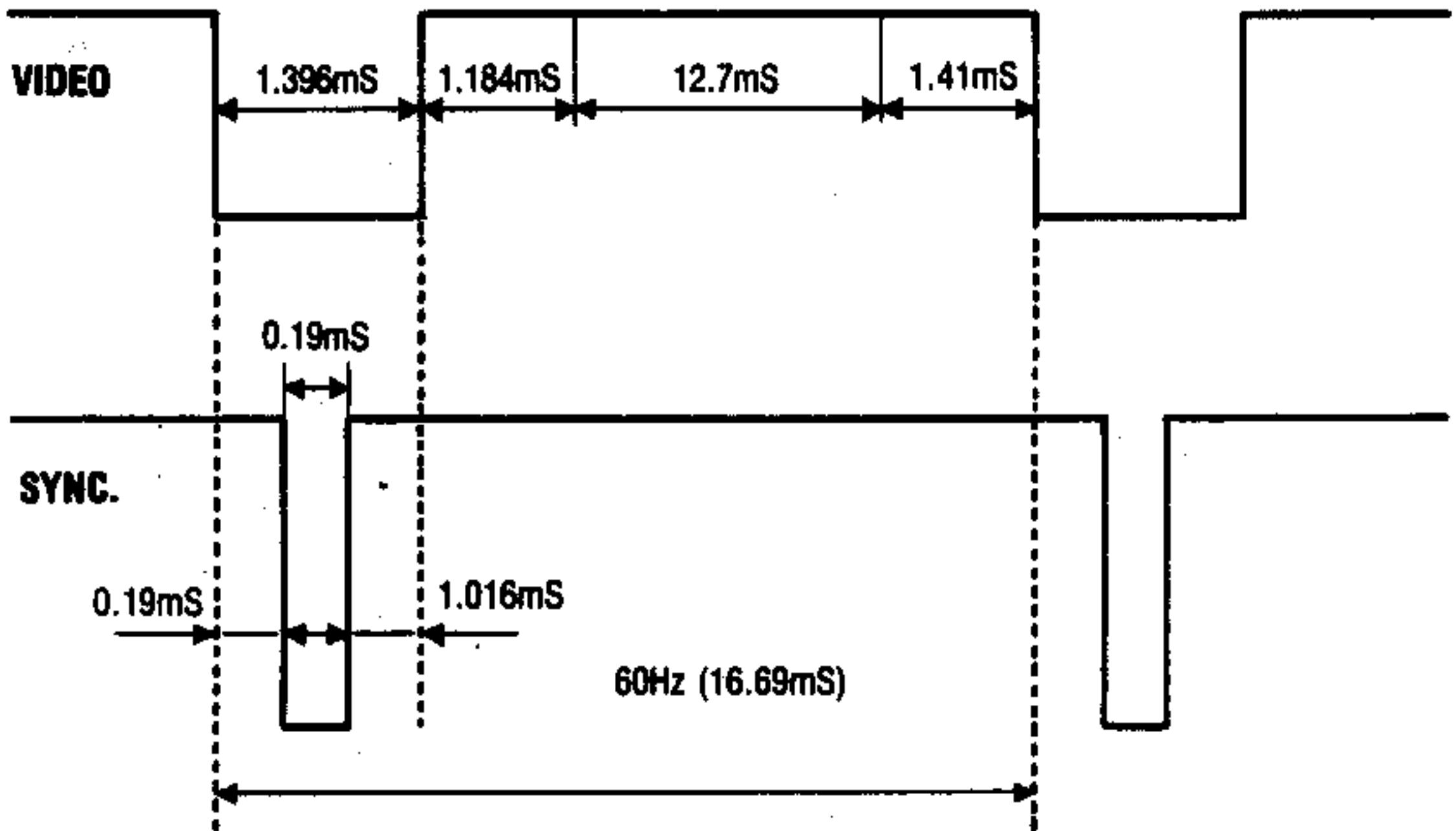


TIMING CHART

HORIZONTAL TIMING



VERTICAL TIMING

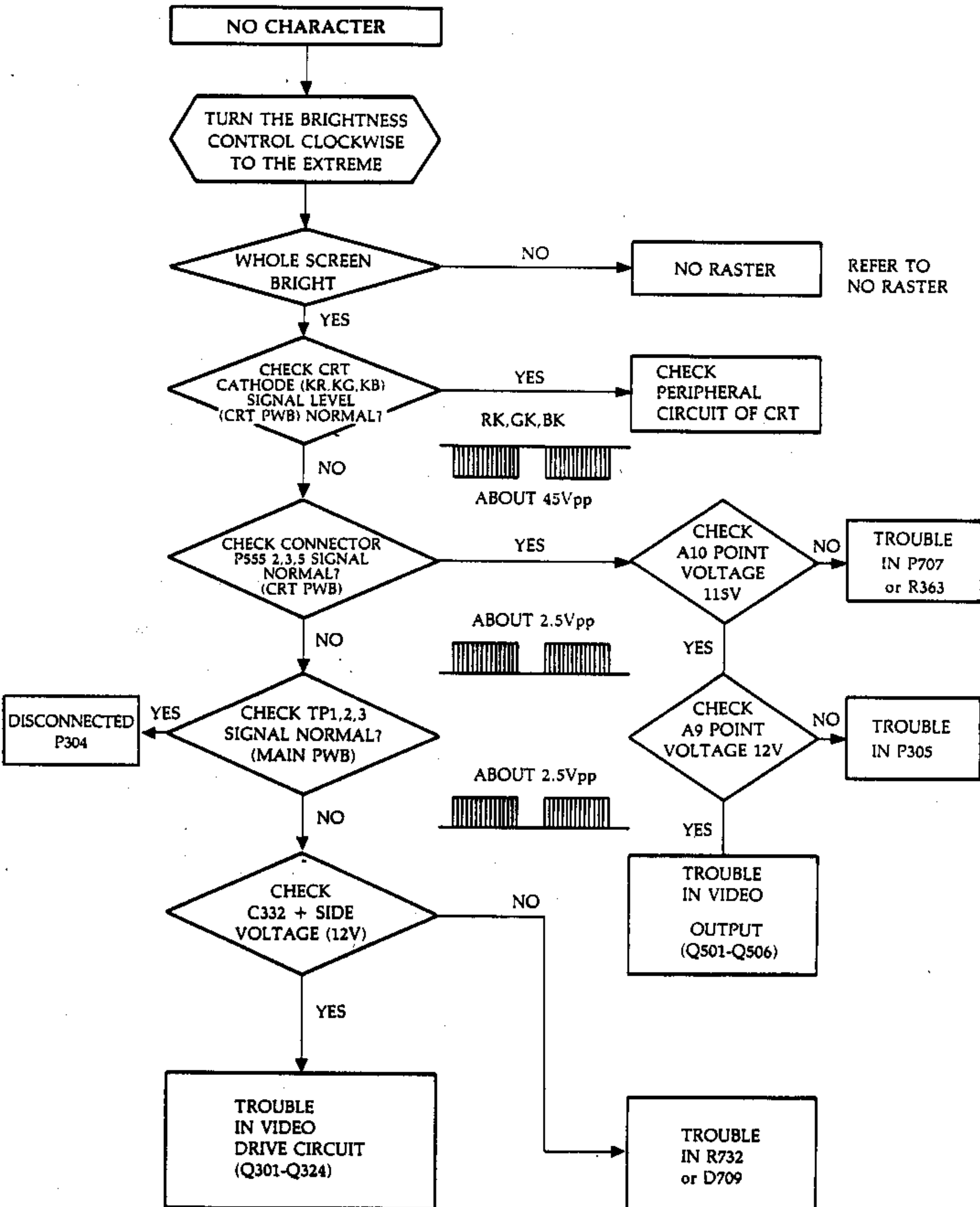


* NOTES

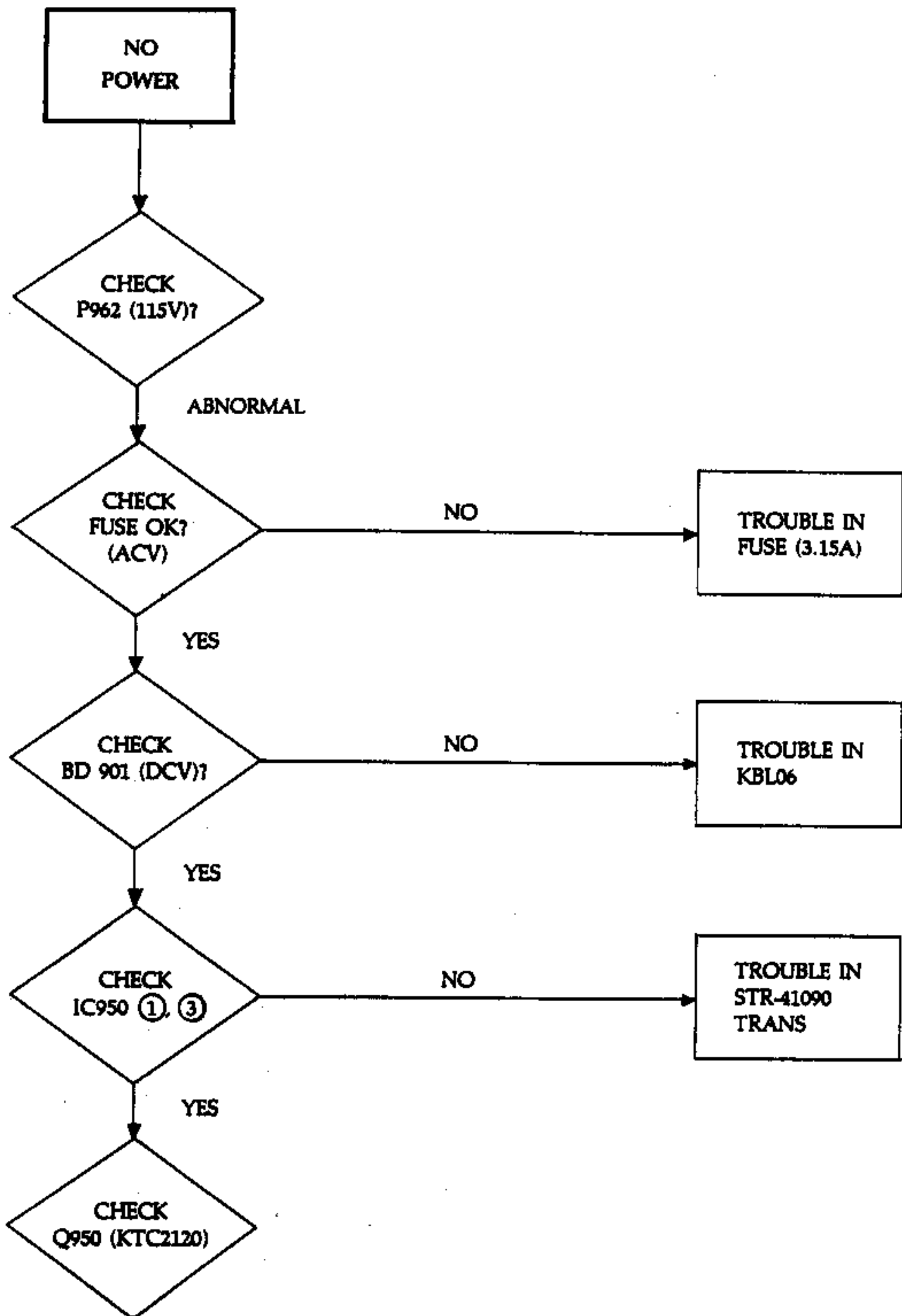
1. SIGNAL INPUT LEVEL: 1V_{p-p}
2. TIME TOLERANCE: $\pm 0.1\%$
3. THE MONITOR IS ADJUSTED ACCORDING TO THE ABOVE TIMINGS AND FREQUENCY.

TROUBLE SHOOTING CHART

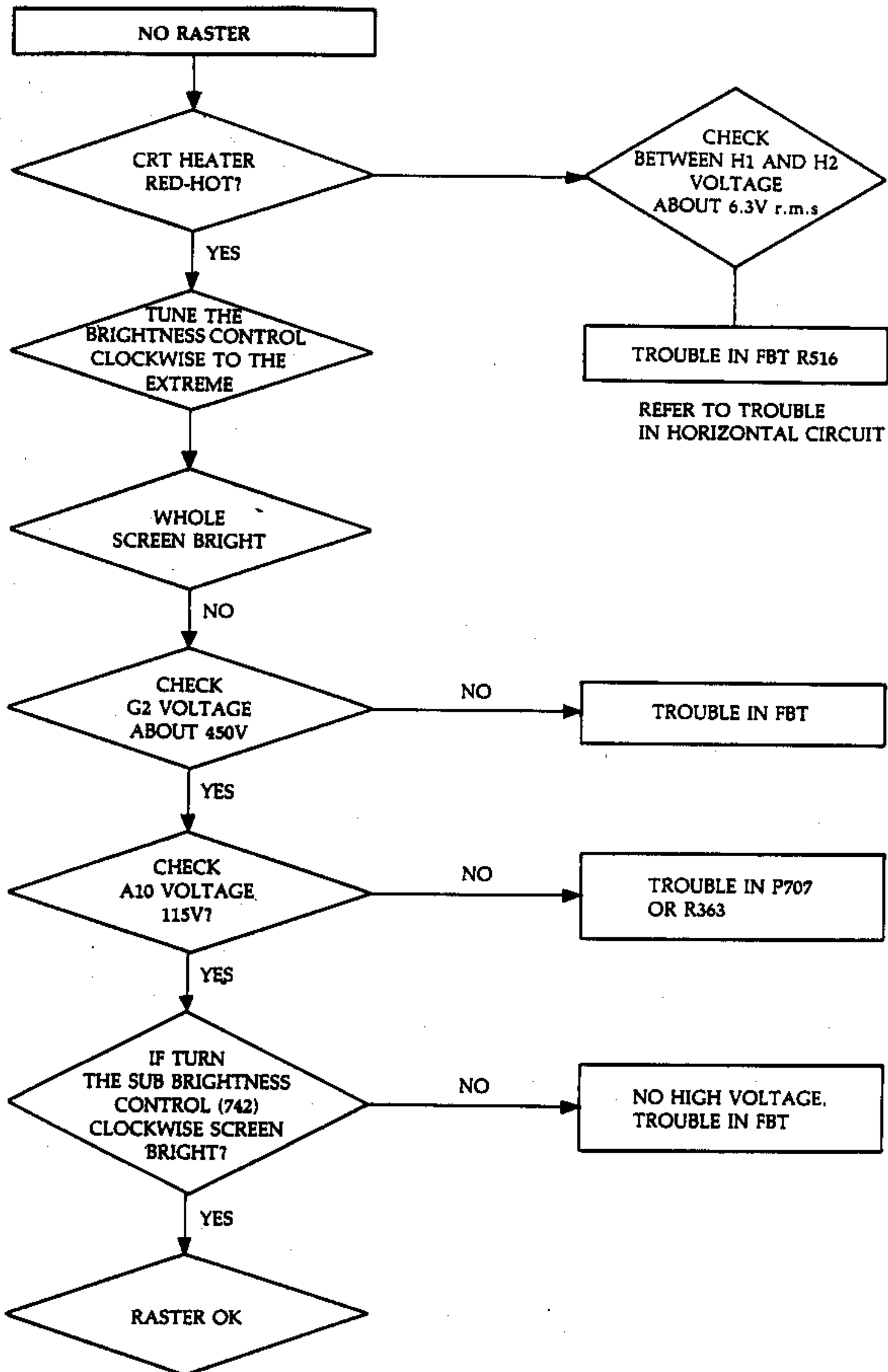
A. NO CHARACTER



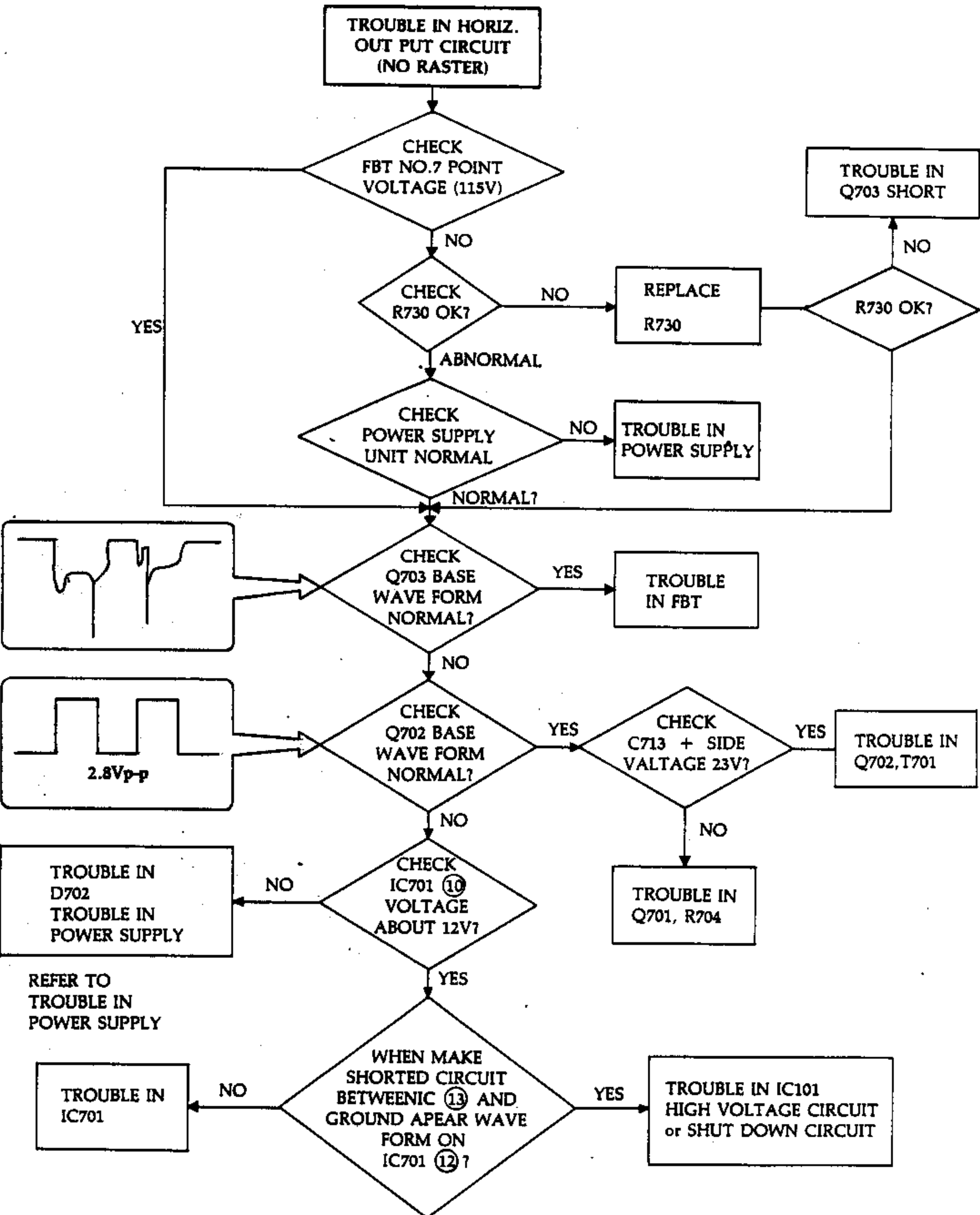
B. NO POWER



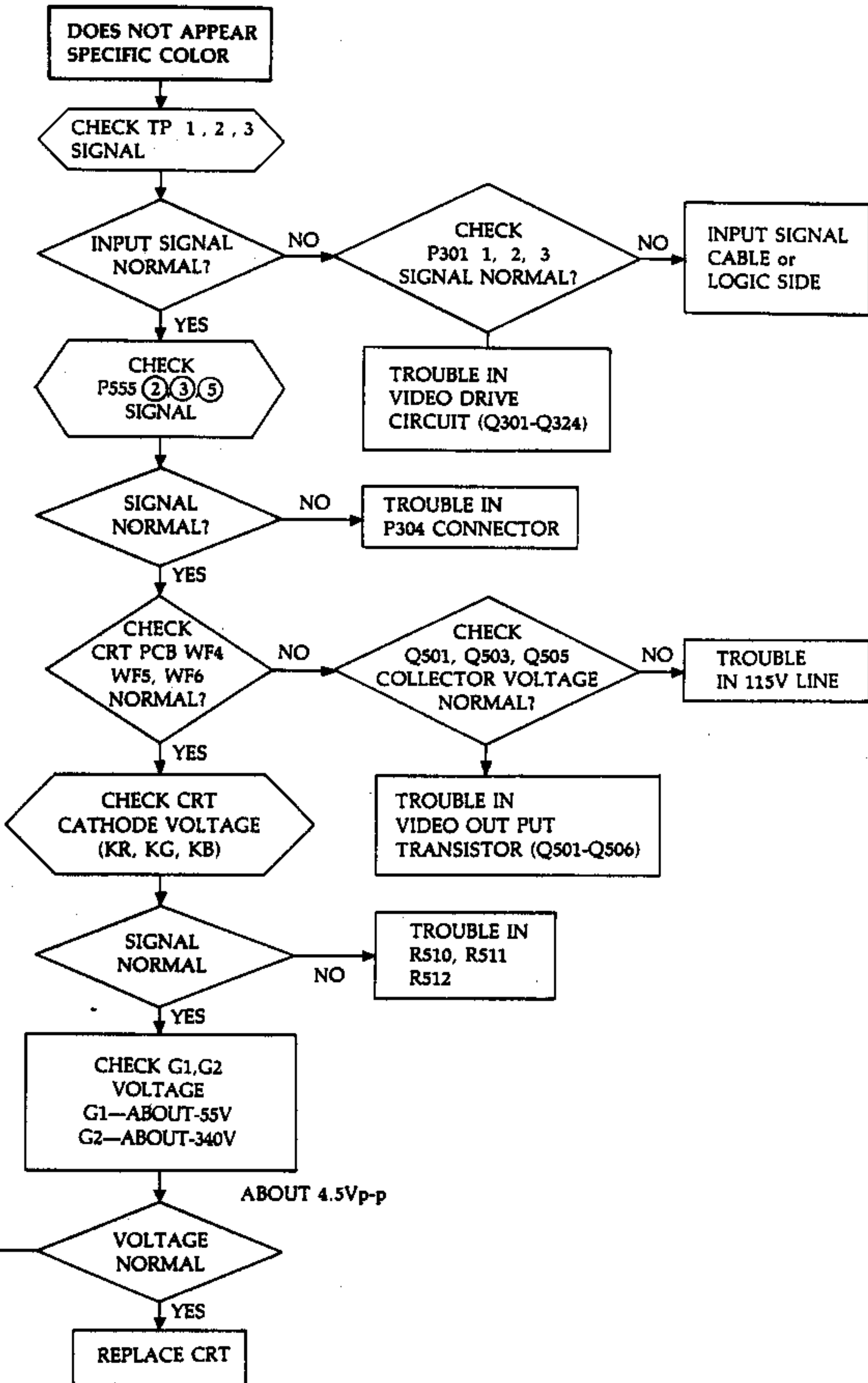
C. NO RASTER



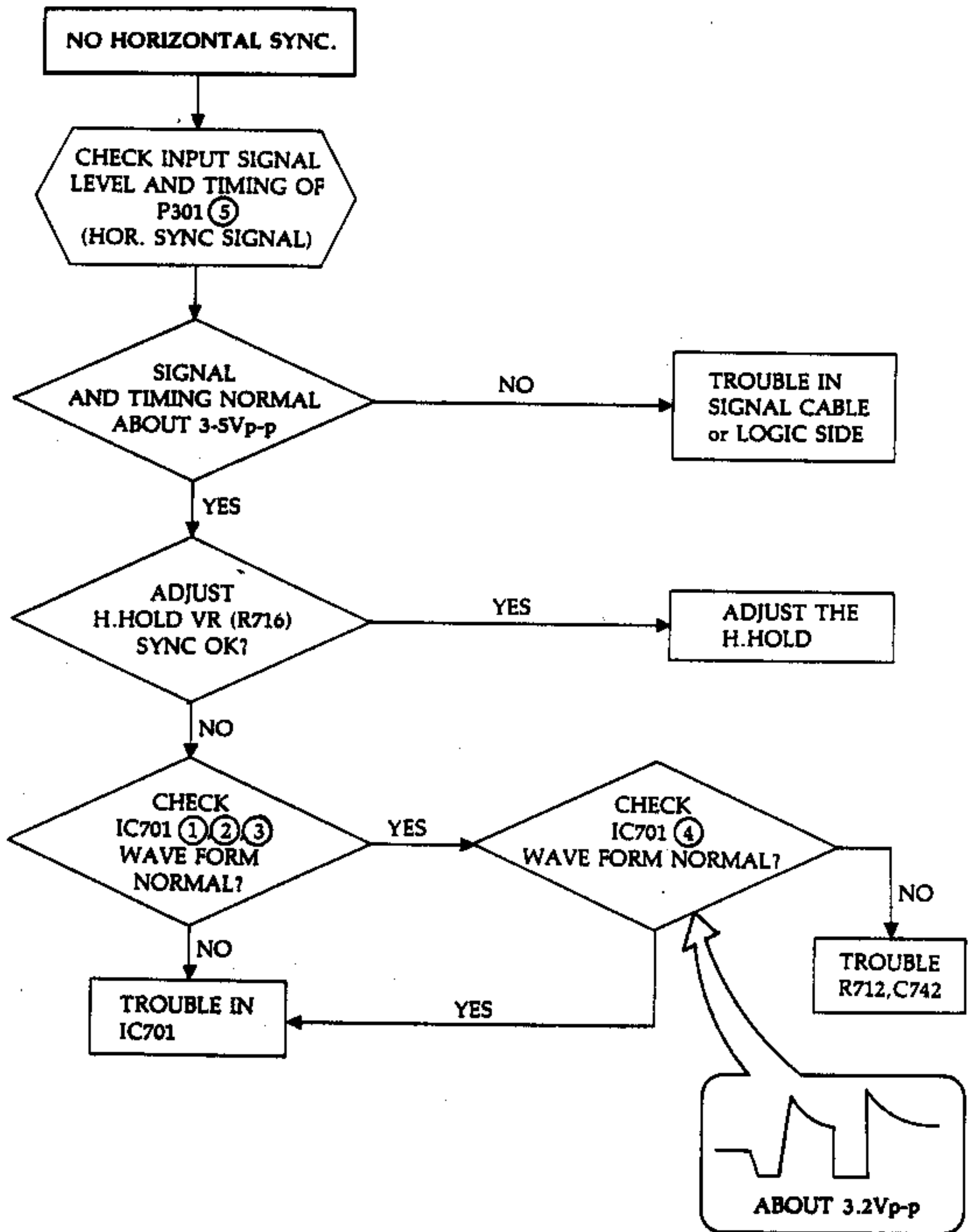
C-1. TROUBLE IN HORIZ. OUT PUT CIRCUIT



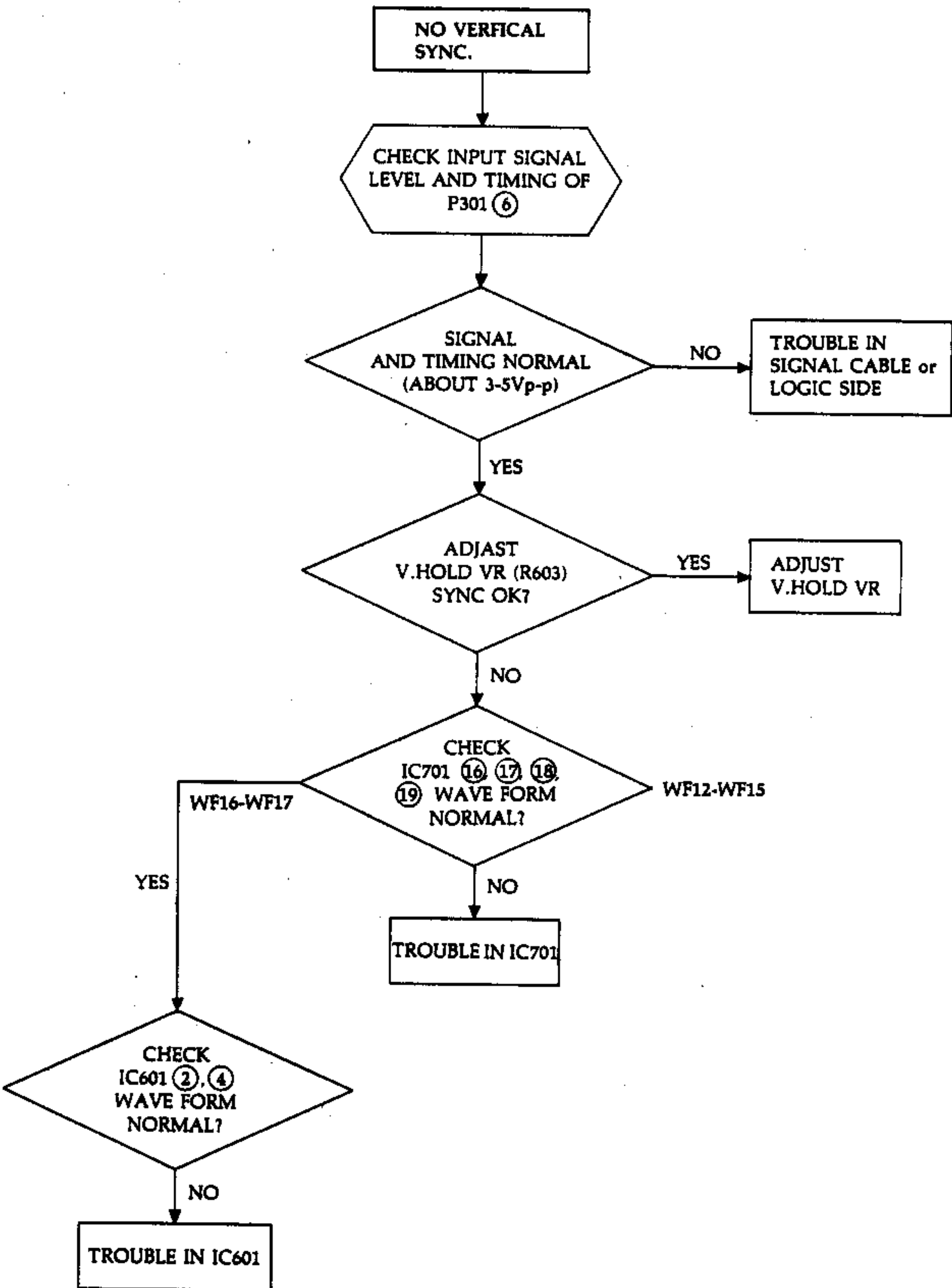
D.



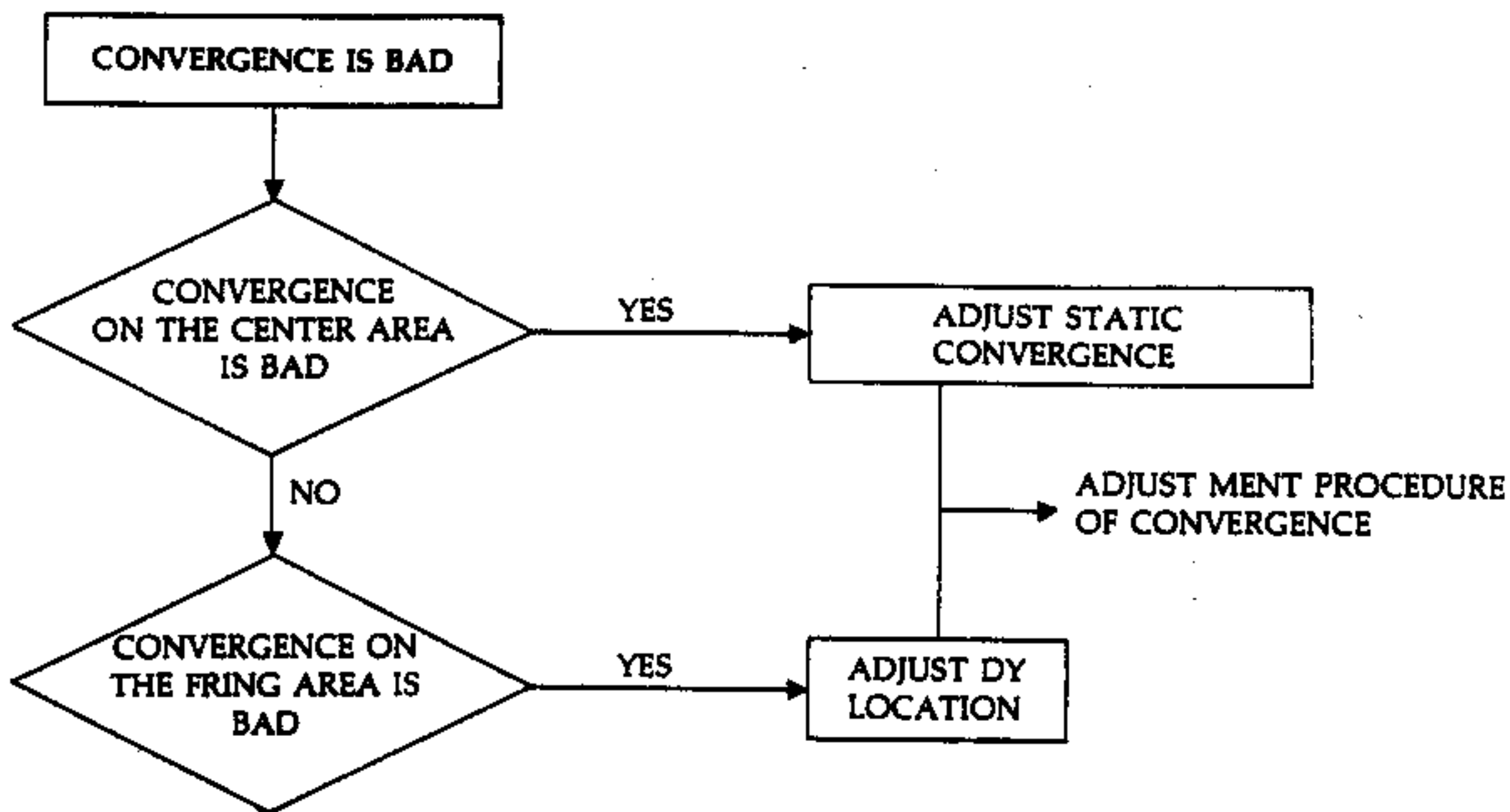
E. NO HORIZONTAL SYNC.



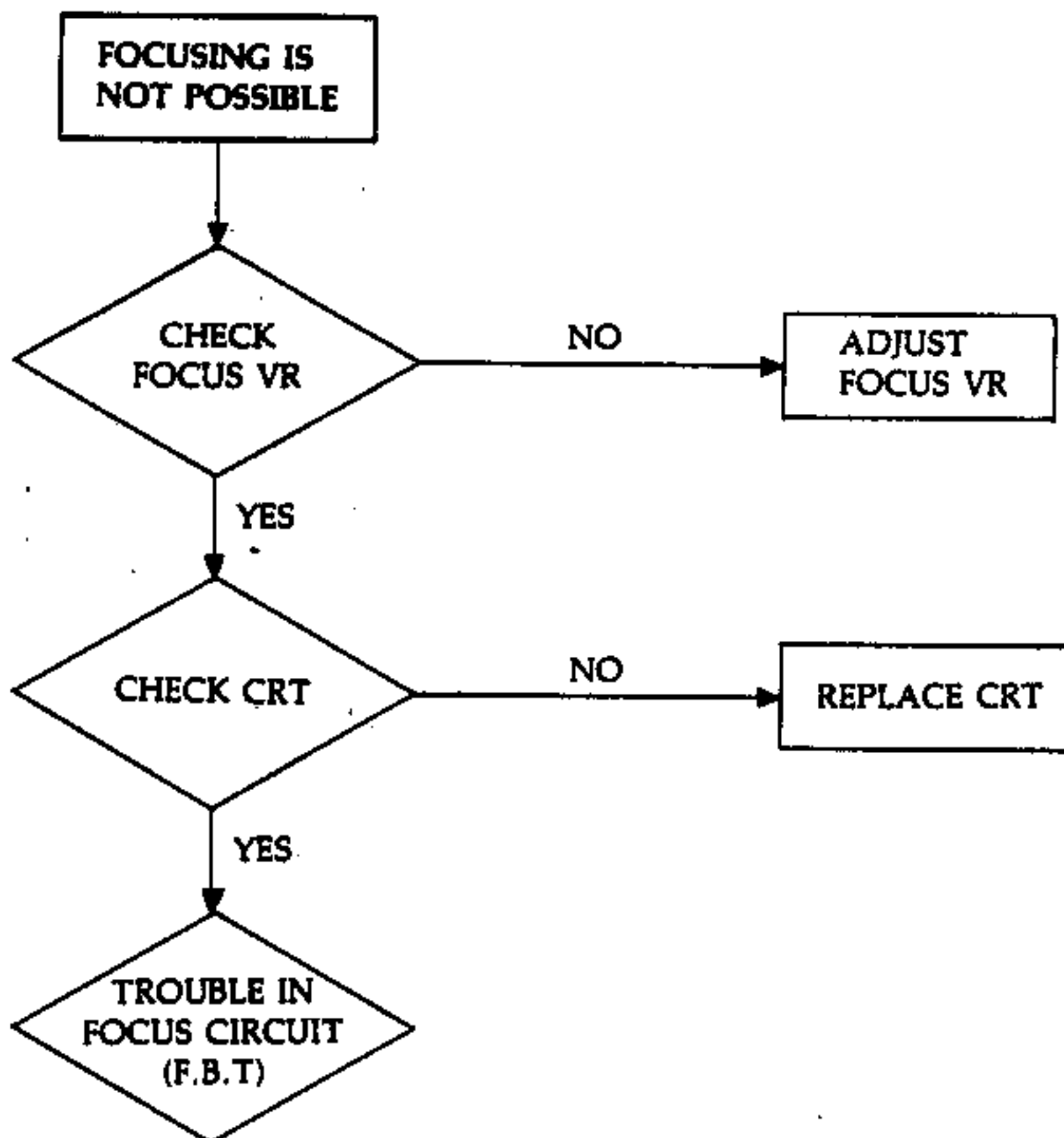
F. NO VERTICAL SYNC.



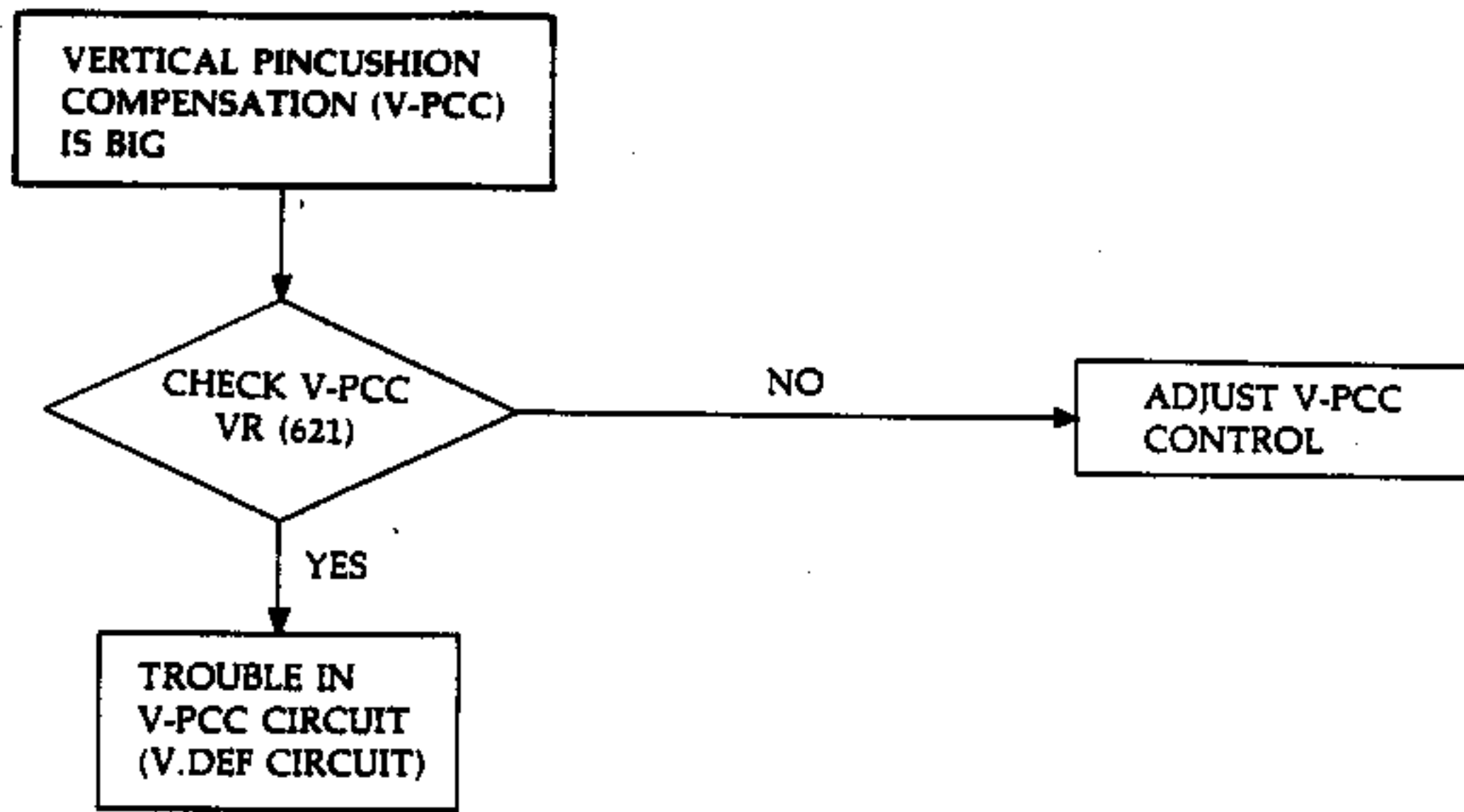
G. CONVERGENCE IS BAD



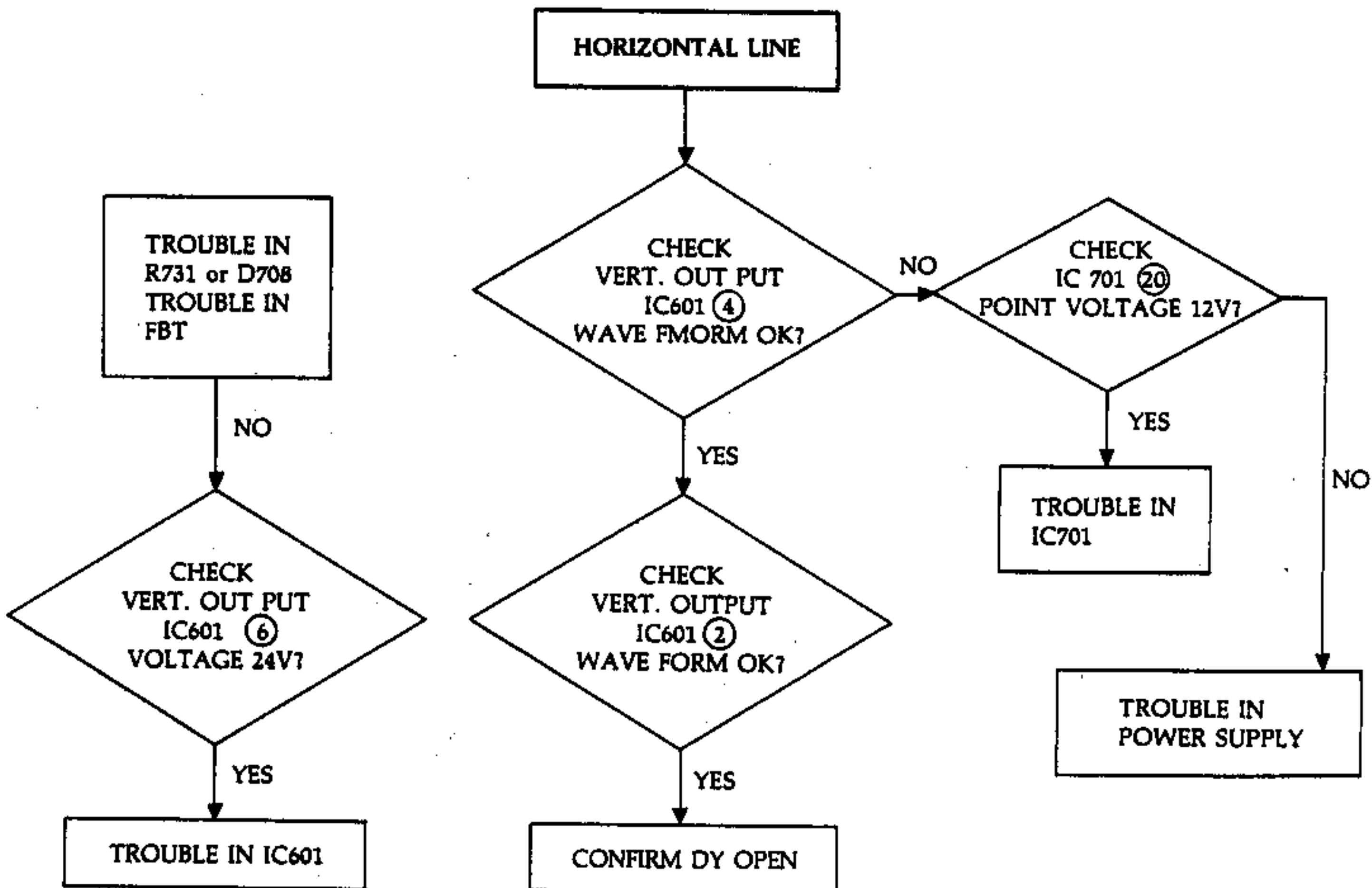
H. FOCUSING PROBLEM



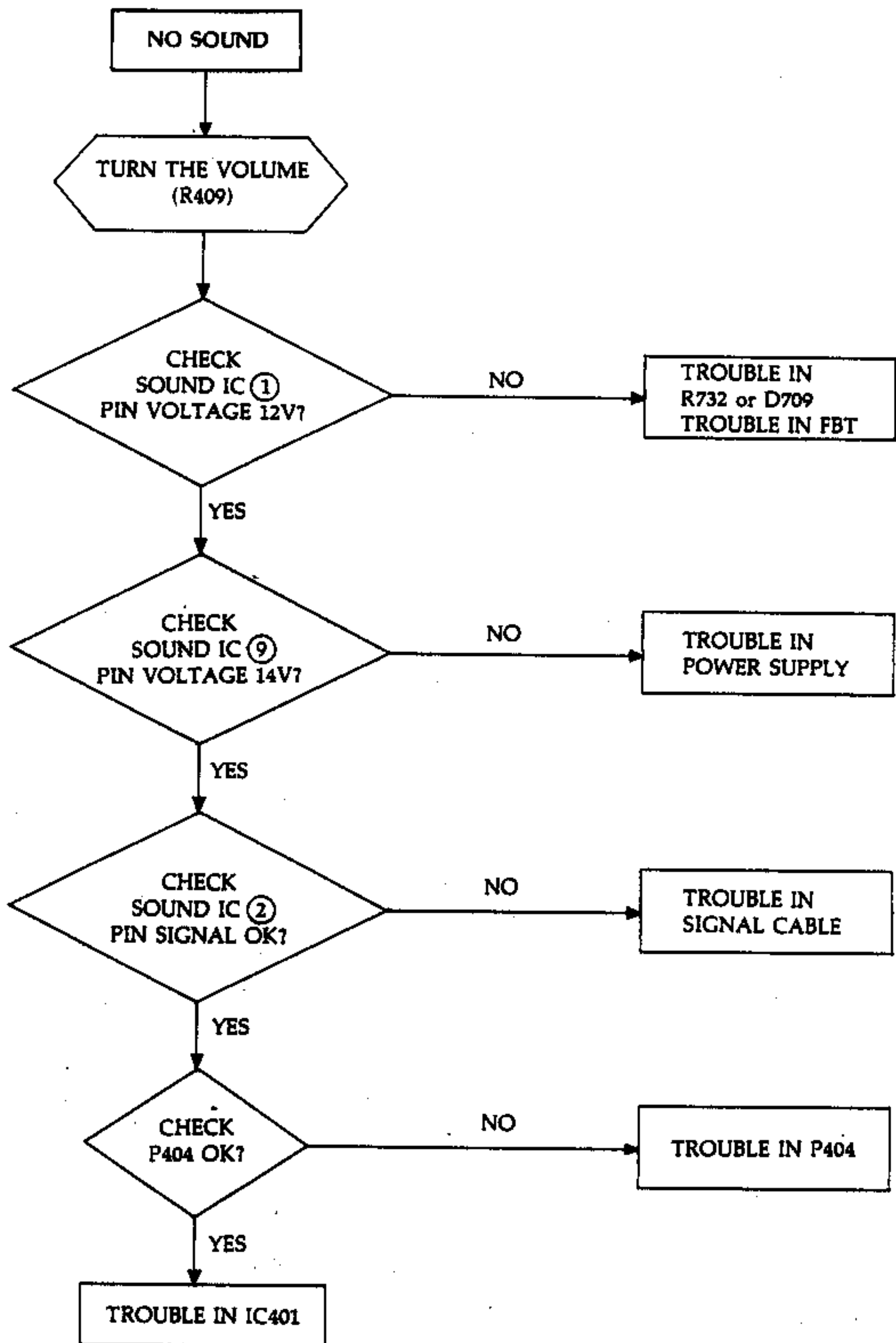
I. VERTICAL PIN CUSHION COMPENSATION (V.PCC) IS BIG



J. HORIZONTAL LINE



K. NO SOUND



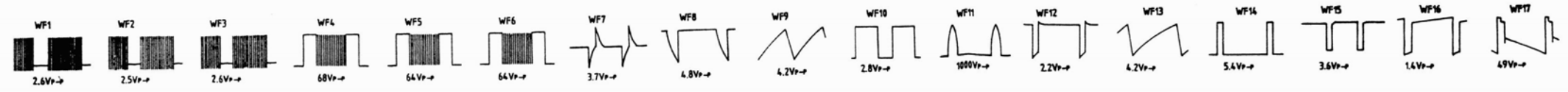
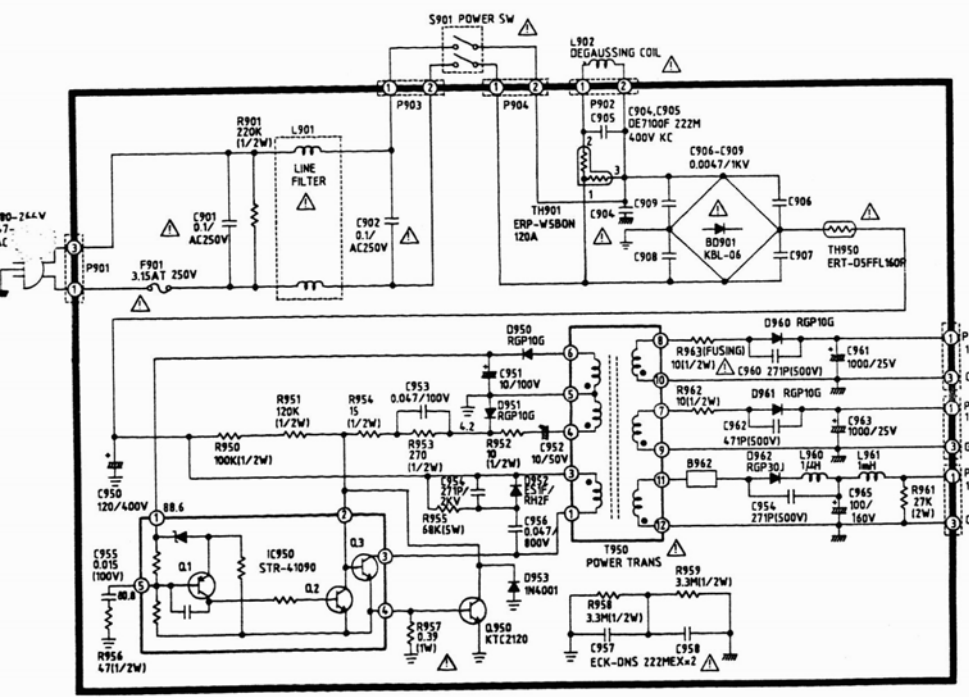
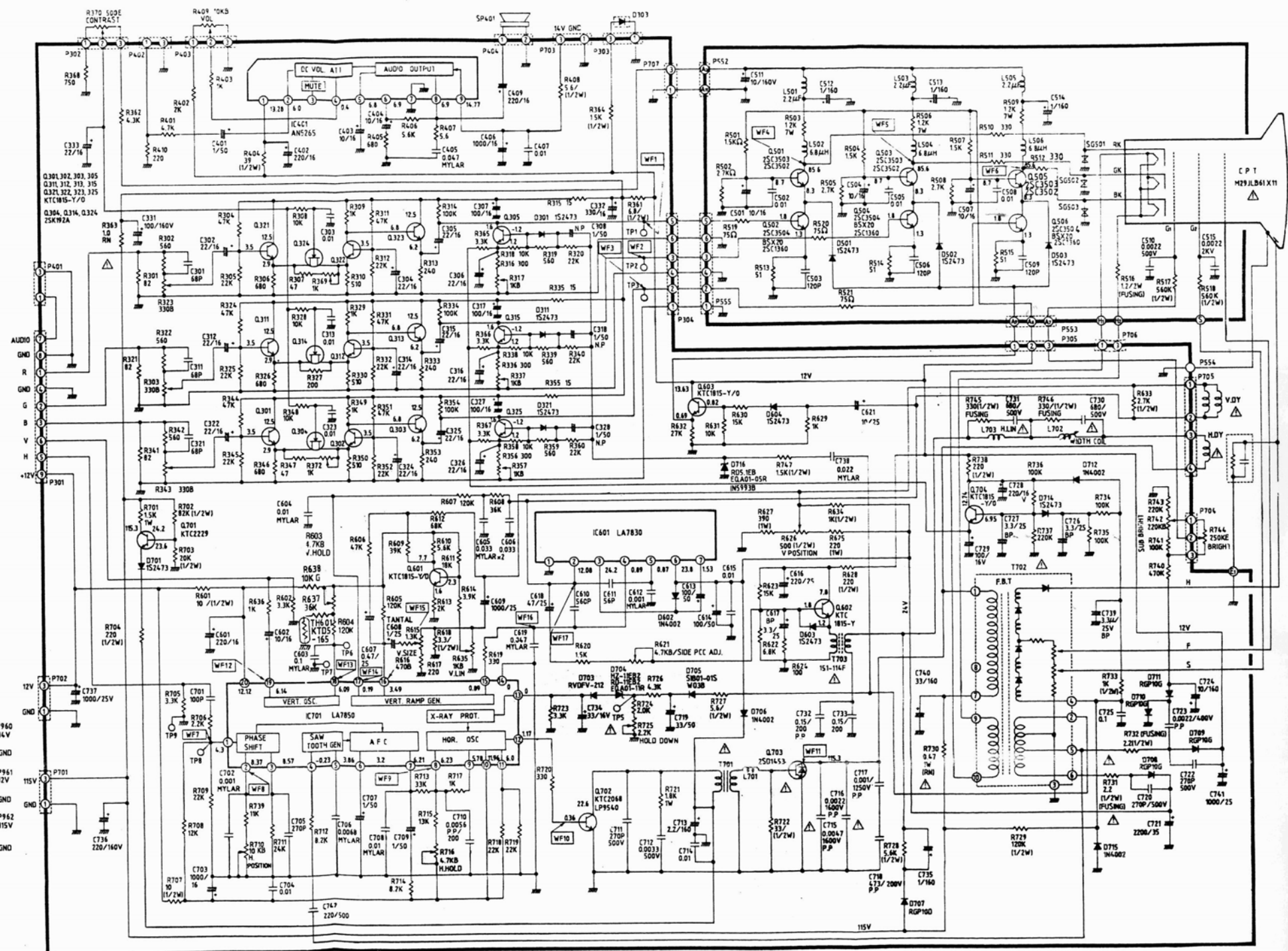
SCHEMATIC DIAGRAM

CA-3 CHASSIS SCHEMATIC DIAGRAM

IMPORTANT SAFETY NOTICE

THE COMPONENT IDENTIFIED BY SHADING OR THE INTERNATIONAL SYMBOL Δ ON THIS SCHEMATIC DIAGRAM INCORPORATES SPECIAL FEATURES IMPORTANT FOR PROTECTION FROM X-RADIATION, FIRE AND ELECTRICAL SHOCK HAZARDS, WHEN SERVICING IT IS ESSENTIAL THAT ONLY MANUFACTURER'S SPECIFIED PARTS BE USED FOR THOSE CRITICAL COMPONENTS.

- NOTES:** UNLESS OTHERWISE SPECIFIED
1. ALL RESISTORS ARE 1/8W, $\pm 5\%$ VALUES IN OHMS. G = $\pm 2\%$, K = 1,000, M = 1,000,000
 2. ALL CAPACITORS ARE SHOWN IN μF . P = 10^{-12} F
 3. COIL UNIT OF INDUCTANCE IS μH



P/N 484-257A

