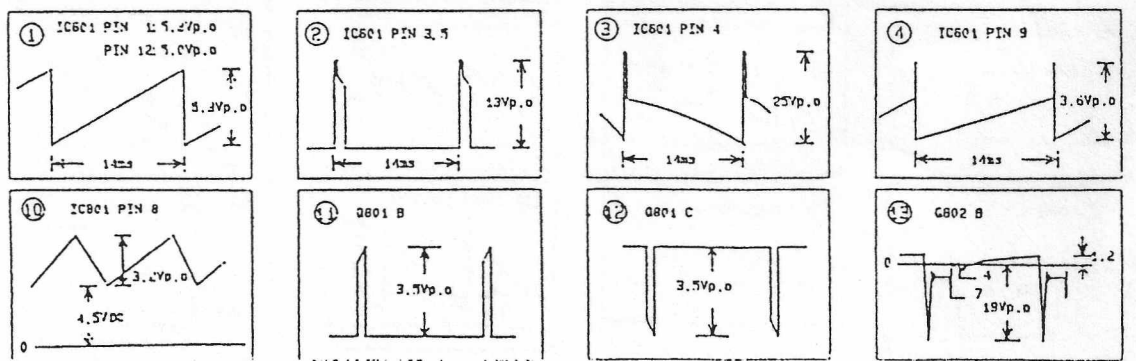
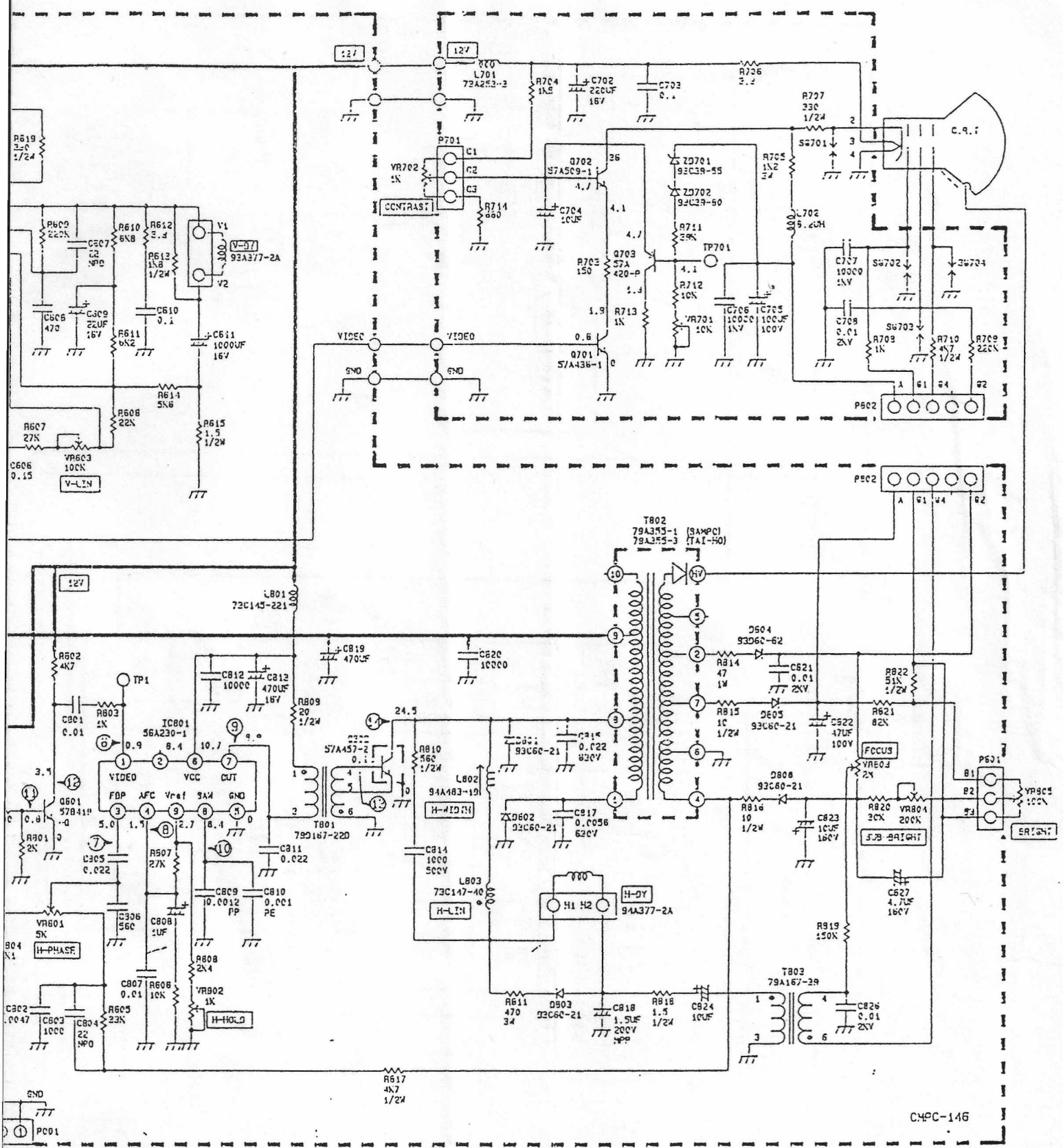


06/20/1991 06/24/1991 06/25/199 07/02/1991 07/05/1991 07/18/1991 08/20/1991 10/06/1991 10/10/1991 02/20/1992 02/25/1992

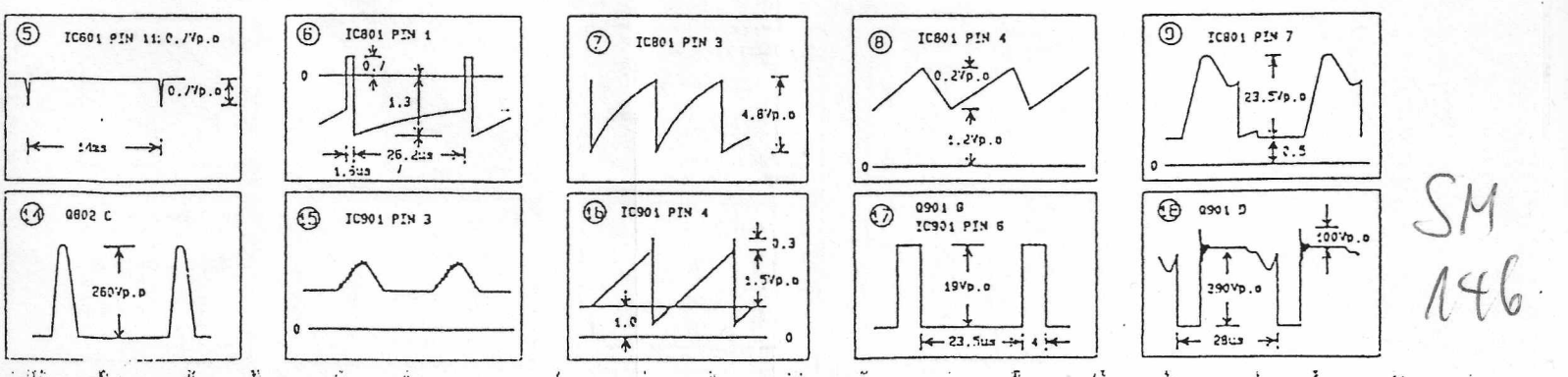


M 146



CMPC-146

PARTS NO. 41A32-015



SM 146